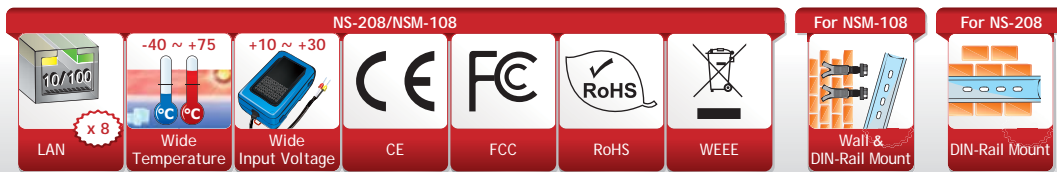


NS-208/NSM-108

8-port Industrial 10/100 Mbps Ethernet Switch

NS-208

NSM-108



Features ▶▶▶

- Automatic MDI/MDI-X crossover for plug-and-play
- Store-and-forward architecture
- Full duplex IEEE 802.3x and half duplex backpressure flow control
- Supports +10 V_{dc} ~ +30 V_{dc} power input
- Each port supports both 10/100 Mbps speed auto negotiation
- Supports operating temperatures from -40 °C ~ +75 °C
- DIN-Rail Mounting

Introduction

The NS-208/NSM-108 has 8 Ethernet ports that support 10/100 Base-TX, with a 10/100M auto negotiation feature and auto MDI/MDI-X function.

All Ethernet ports have memory buffers that support the store-and-forward mechanism, which assures that data can be transmitted properly. The NS-208/NSM-108 supports advanced network standards to optimize network performance, reduce maintenance costs, and secure network safety.

The flow control mechanism is also negotiated. There is link/data rate LEDs for each port to aid troubleshooting. Port connectors are shielded RJ-45.

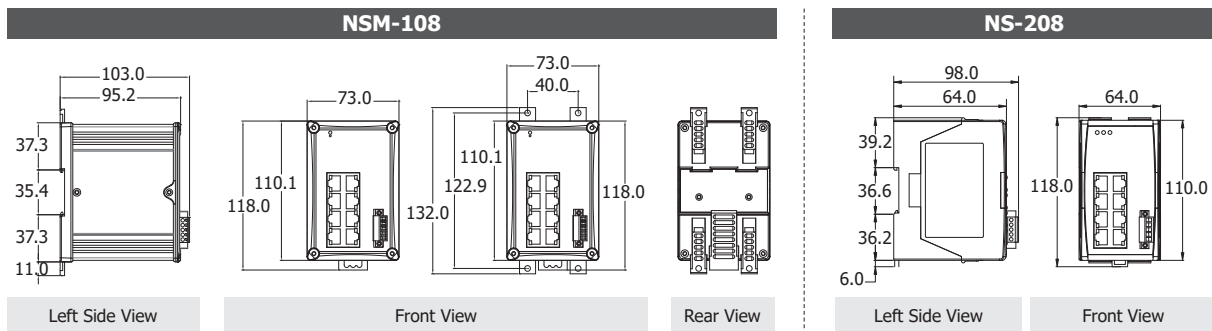
Comparison Table of 8-port 10/100 Mbps Ethernet Switch

Mode Name	NS-208	NSM-108	NS-208A	NSM-208A	NS-208R
Input Voltage Range	+10 V _{dc} ~ +30 V _{dc}		+12 V _{dc} ~ +48 V _{dc}		
Casing	Plastic	Metal	Plastic	Metal	Plastic
Installation	DIN-Rail Mounting	DIN-Rail Mounting or Wall Mounting		DIN-Rail Mounting	
Dimensions (W x L x H) (Unit: mm)	64 x 118 x 98	73 x 132 x 103	31 x 157 x 113	25 x 168 x 119	64 x 118 x 98
Remarks	-		Cost-effective		EN50155-certified

Specifications

Models	NS-208	NSM-108
Technology		
Standards	IEEE 802.3, 802.3u, 802.3x	
Processing Type	Store & forward; wire speed switching	
MAC Addresses	1024	
Memory Bandwidth	2 Gbps	
Frame Buffer Memory	512 Kbit	
Flow Control	IEEE 802.3x flow control, back pressure flow control	
Interface		
RJ-45 Ports	10/100 Base-T(X) auto negotiation speed, F/H duplex mode, and auto MDI/MDI-X connection	
LED Indicators	Power, Link/Act, 10/100M	
Ethernet Isolation	1500 V _{rms} 1 minute	
EMS Protection	Yes	
Power Input		
Input Voltage Range	+10 V _{DC} ~ +30 V _{DC} (Non-isolated)	
Power Consumption	0.15 A @ 24 V _{DC}	
Protection	Power reverse polarity protection	
EMS Protection	Yes	
Connector	5-Pin Removable Terminal Block	
Mechanical		
Casing	Plastic	Metal
Dimensions (W x L x H)	64 mm x 118 mm x 98 mm	DIN-rail mounting: 73 mm x 118 mm x 103 mm Wall mounting: 73 mm x 132 mm x 103 mm
Installation	DIN-rail mounting	DIN-rail mounting or wall mounting
Environment		
Operating Temperature	-40 °C ~ +75 °C	
Storage Temperature	-40 °C ~ +85 °C	
Ambient Relative Humidity	10% ~ 90% RH, non-condensing	

Dimensions (Units: mm)



Ordering Information

NSM-108 CR	Unmanaged 8-Port Industrial 10/100 Base-TX Ethernet Switch with Power Input +10 VDC ~ +30 VDC, metal casing (RoHS) Includes 4SNPNA010021G Wall mount
NS-208 CR	Unmanaged 8-Port Industrial 10/100 Base-TX Ethernet Switch with Power Input +10 VDC ~ +30 VDC (RoHS)