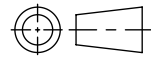
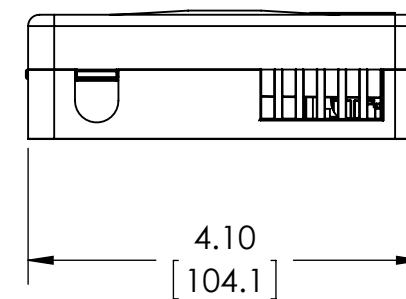
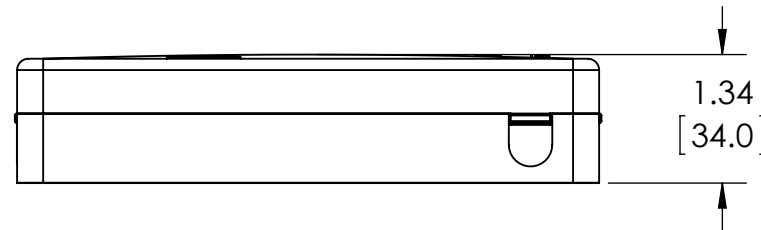
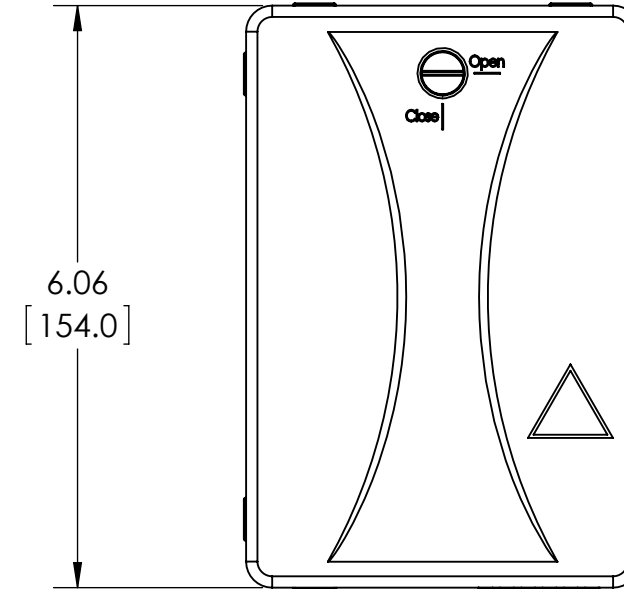
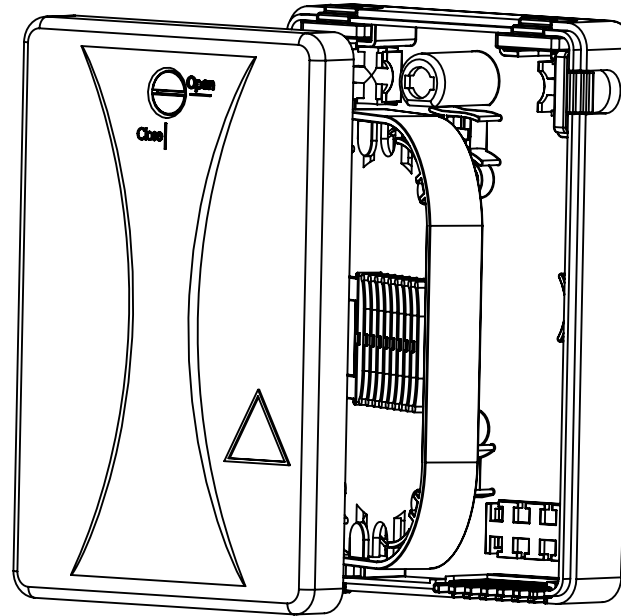


SW2015



Revision level			Revision Record	Changed	Date	Approved	Date
Drawing	State	Part					
00.0	Design Release		SEE ECN# 014308	CAS	2/14/2018	KAC	2/14/2018



Maximum Number of Splices	18 (45mm long max)
Color	White
Material	ABS
Cable Entrance Ports (Side)	6

Notes	Material ASSEMBLED	Units: inches Dimension without tolerances details to: .xxxx = ±.0005 .xxx = ±.005 .xx = ±.01 .x = ±.03 None = ±.06 ∠ = ±0.5° Dimension Formatted in/[mm]	The copyright of this drawing is reserved by HellermannTyton. It is issued on condition that it is not reproduced, copied, or disclosed to a third party, either wholly or in part, without the consent of HellermannTyton.	Drawn	CAS	2/14/2018	Article/Type-No FDSE-E	Scale 1:2		
				Approved	KAC	2/14/2018			Title Fiber Distribution Enclosure, Indoor Splice Only	Project Number PRP18-0362
				North America Email: corp@htamericas.com Web: www.hellermann.tyton.com			Drawing-No	PRODUCTION : Phase		
										18-0362-001-CSU