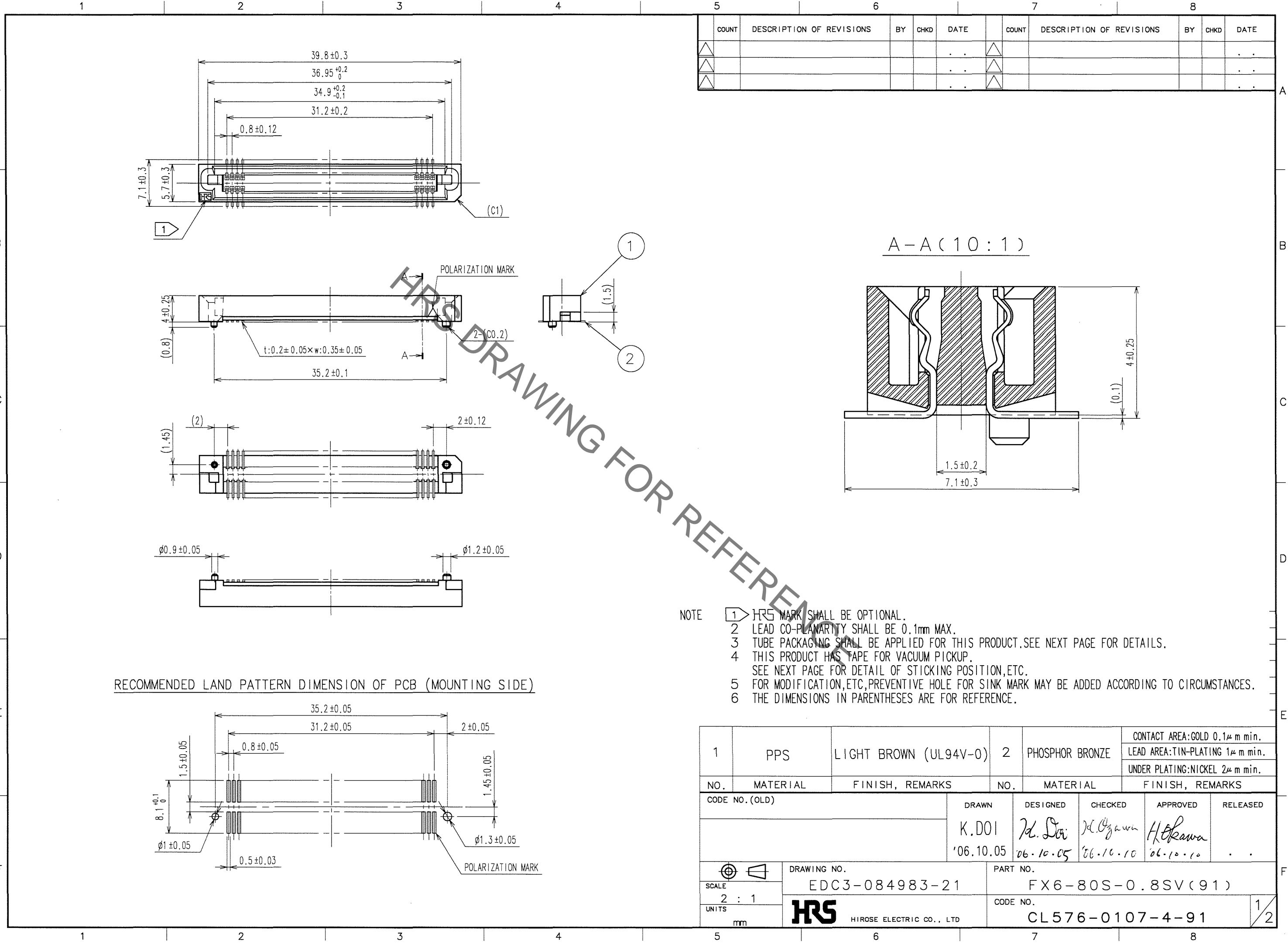
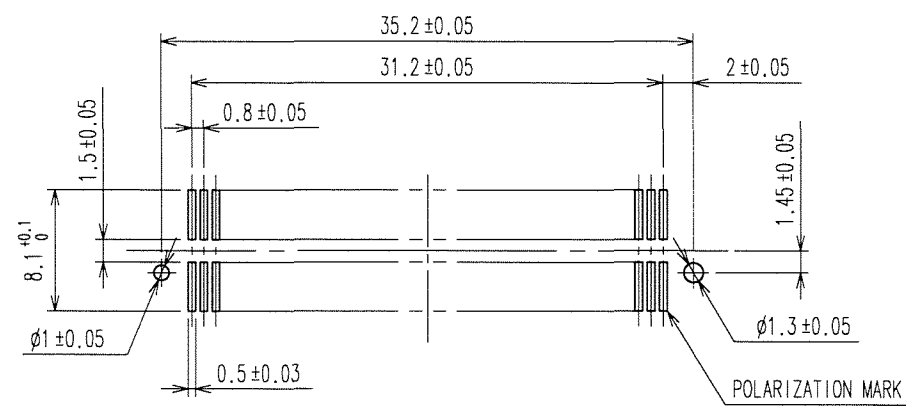


May.1.2023 Copyright 2023 HIROSE ELECTRIC CO., LTD. All Rights Reserved.
In case of consideration for using Automotive equipment / device which demand high reliability, kindly contact our sales window correspondents.



COUNT	DESCRIPTION OF REVISIONS	BY	CHKD	DATE	COUNT	DESCRIPTION OF REVISIONS	BY	CHKD	DATE
△				..	△				..
△				..	△				..
△				..	△				..

RECOMMENDED LAND PATTERN DIMENSION OF PCB (MOUNTING SIDE)

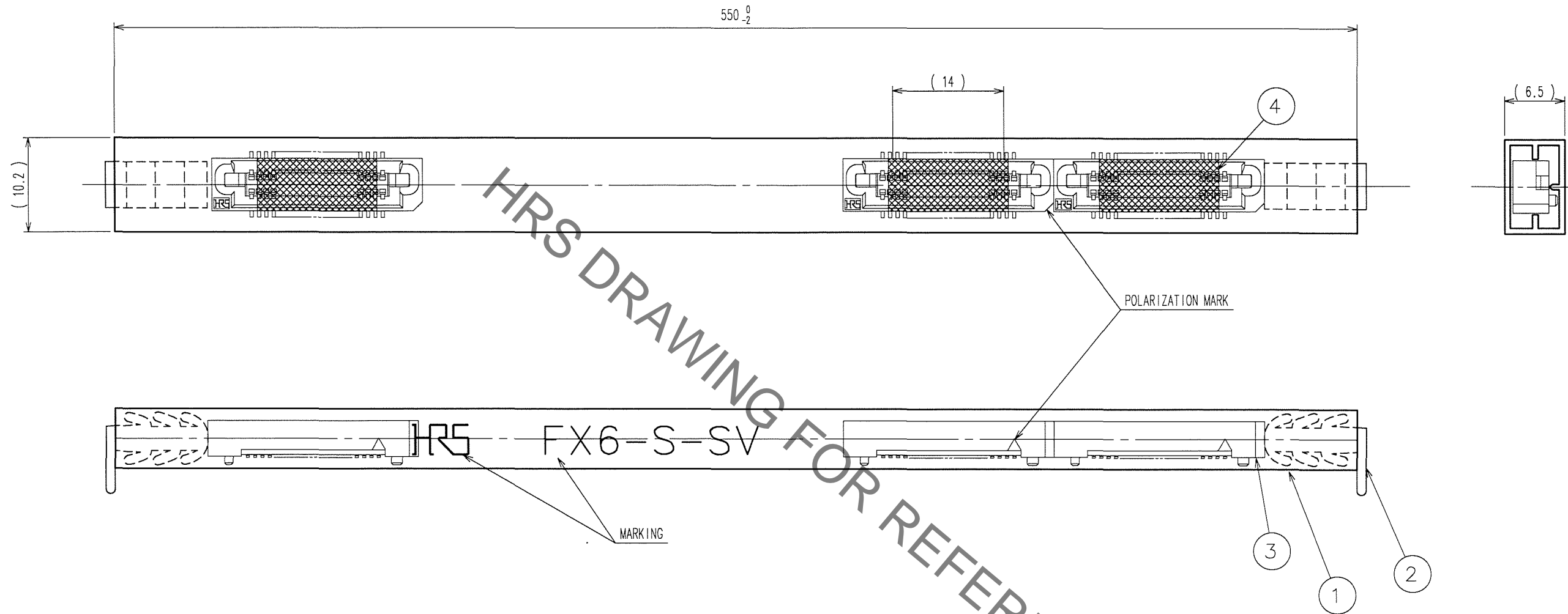


- NOTE
- 1 HRS MARK SHALL BE OPTIONAL.
 - 2 LEAD CO-PLANARITY SHALL BE 0.1mm MAX.
 - 3 TUBE PACKAGING SHALL BE APPLIED FOR THIS PRODUCT. SEE NEXT PAGE FOR DETAILS.
 - 4 THIS PRODUCT HAS TAPE FOR VACUUM PICKUP. SEE NEXT PAGE FOR DETAIL OF STICKING POSITION, ETC.
 - 5 FOR MODIFICATION, ETC, PREVENTIVE HOLE FOR SINK MARK MAY BE ADDED ACCORDING TO CIRCUMSTANCES.
 - 6 THE DIMENSIONS IN PARENTHESES ARE FOR REFERENCE.

1	PPS	LIGHT BROWN (UL94V-0)	2	PHOSPHOR BRONZE	CONTACT AREA: GOLD 0.1μm min. LEAD AREA: TIN-PLATING 1μm min. UNDER PLATING: NICKEL 2μm min.
NO.	MATERIAL	FINISH, REMARKS	NO.	MATERIAL	FINISH, REMARKS
CODE NO. (OLD)			DRAWN	DESIGNED	CHECKED
			K.DOI	<i>M. Doi</i>	<i>M. Ogawa</i>
			'06.10.05	'06.10.05	'06.10.10
			APPROVED	RELEASED	
			<i>H. Okawa</i>	..	
DRAWING NO.		PART NO.			
EDC3-084983-21		FX6-80S-0.8SV(91)			
SCALE		CODE NO.			
2 : 1		CL576-0107-4-91		1/2	
UNITS		HRS			
mm		HIROSE ELECTRIC CO., LTD			

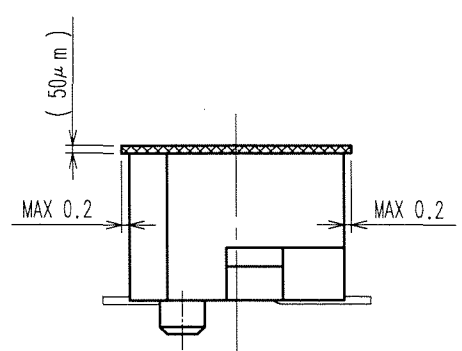
May.1.2023 Copyright 2023 HIROSE ELECTRIC CO., LTD. All Rights Reserved.
In case of consideration for using Automotive equipment / device which demand high reliability, kindly contact our sales window correspondents.

COUNT	DESCRIPTION OF REVISIONS	BY	CHKD	DATE	COUNT	DESCRIPTION OF REVISIONS	BY	CHKD	DATE
△				..	△				..
△				..	△				..
△				..	△				..



HRS DRAWING FOR REFERENCE

DETAIL FOR TAPE FOR VACUUM PICK-UP(5:1)



- NOTE 1 THE DIMENSIONS IN PARENTHESES ARE FOR REFERENCE.
 2 ONE TUBE CONSISTS OF 13 PIECES.
 3 REMOVE THE VACUUM PICK-UP TAPE AFTER MOUNTING THE CONNECTOR.

NO.	MATERIAL	FINISH, REMARKS	NO.	MATERIAL	FINISH, REMARKS
2	PVC	(STOPPER)	4	POLYIMIDE	(TAPE FOR VACUUM PICK-UP)
1	PVC	(TUBE)	3		(CONNECTOR)

CODE NO. (OLD) CL	DRAWN K.DOI '06.10.05	DESIGNED H. Doi '06.10.05	CHECKED H. Okawa '06.10.10	APPROVED H. Okawa '06.10.10	RELEASED
DRAWING NO. EDC3-084983-21		PART NO. FX6-80S-0.8SV(91)			
UNITS mm		CODE NO. CL576-0107-4-91			2

TO