

LC DUPLEX APC SINGLEMODE ADAPTOR  
ZIRCONIA ALIGNMENT SLEEVE

Packaging  
100

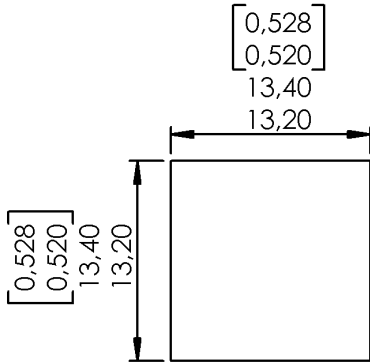
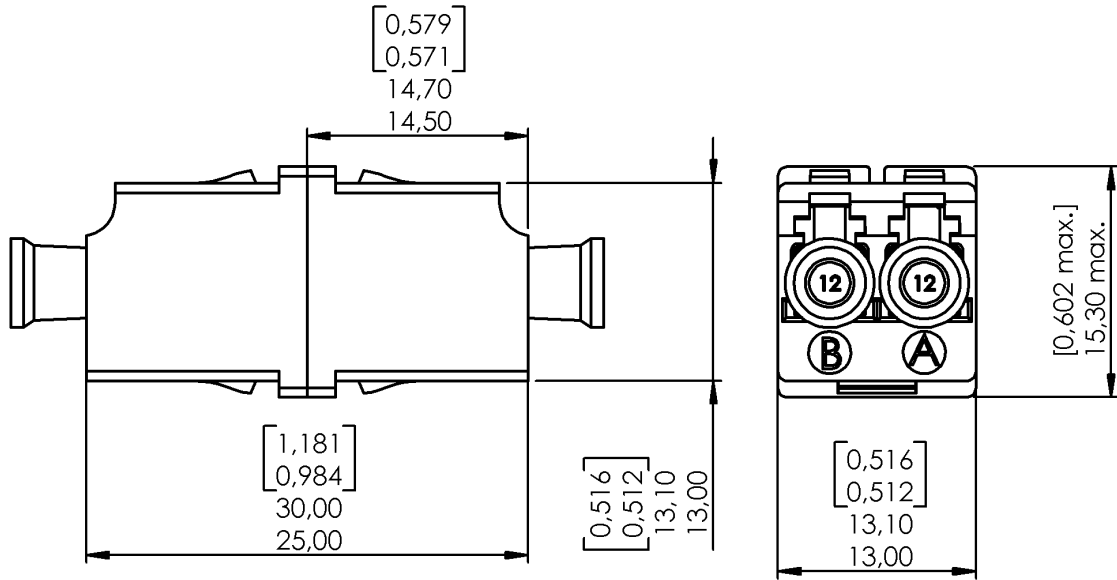
Series  
LC

Issue  
01/13/03

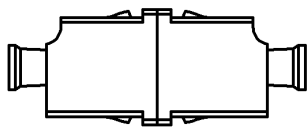
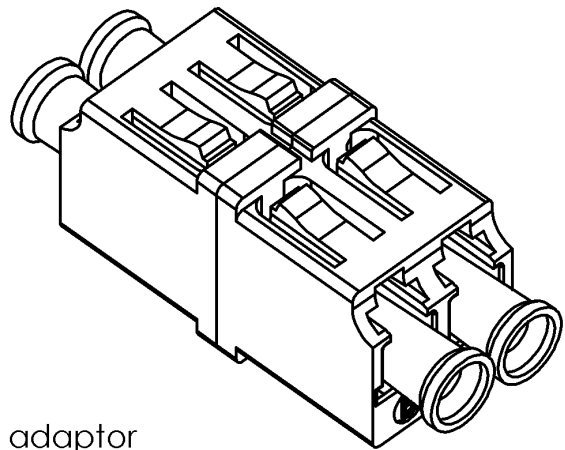
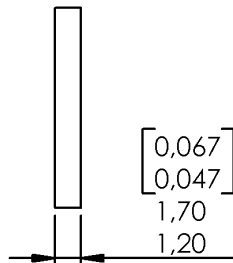
Page  
1 / 2

Adaptor : color GREEN

Duplex



PANEL PIERCING



Scale : 1/1

- Contents :
- Standard duplex adaptor
  - Receptacle dust cap
  - Sleeve

Original dimensions in mm [inch]

LC DUPLEX APC SINGLEMODE ADAPTOR  
 ZIRCONIA ALIGNMENT SLEEVE

 Packaging  
 100

 Series  
 LC

 Issue  
 01/13/03

 Page  
 2 / 2

Adaptor : color GREEN

Duplex

### GENERAL

- TYPE**
IEC 61754-20 (LC) (LC)  
RJ-45 latching system  
Receptacle color : GREEN
  
- MOUNTING**
Snap-in mounting  
Max. panel thickness 1.7 mm
  
- ALIGNMENT SLEEVE**
Zirconia

### CHARACTERISTICS (Depending on fibre or cable construction)

- MATERIAL**
Plastic molded :
Material in accordance with TELCORDIA GR-326 CORE  
Inflammability V0 (UL 94)
  
- MECHANICAL**

Durability	200 cycles
Plug Retention	68 N
  
- ENVIRONMENTAL**

Storage temperature range	-40 °C to +85 °C
Operating temperature range	-40 °C to +70 °C
  
- PROOF TEST**

Straight pull	68 N
Side pull	23 N
  
- VIBRATION TEST**
10 to 55 Hz, 1,5 mm (peak to peak), 2 Hr/axis

*(Performance and specification : see document GEN - F727 001)*