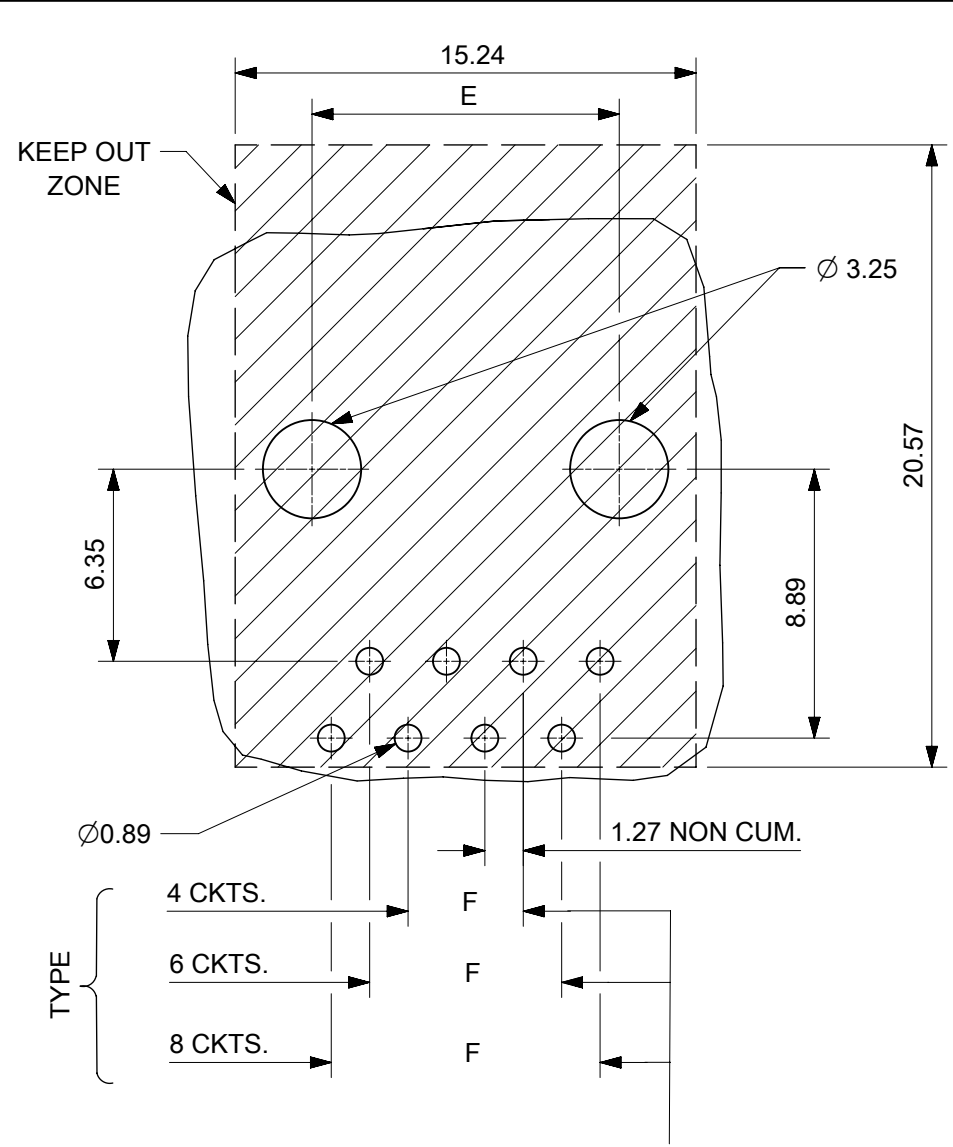
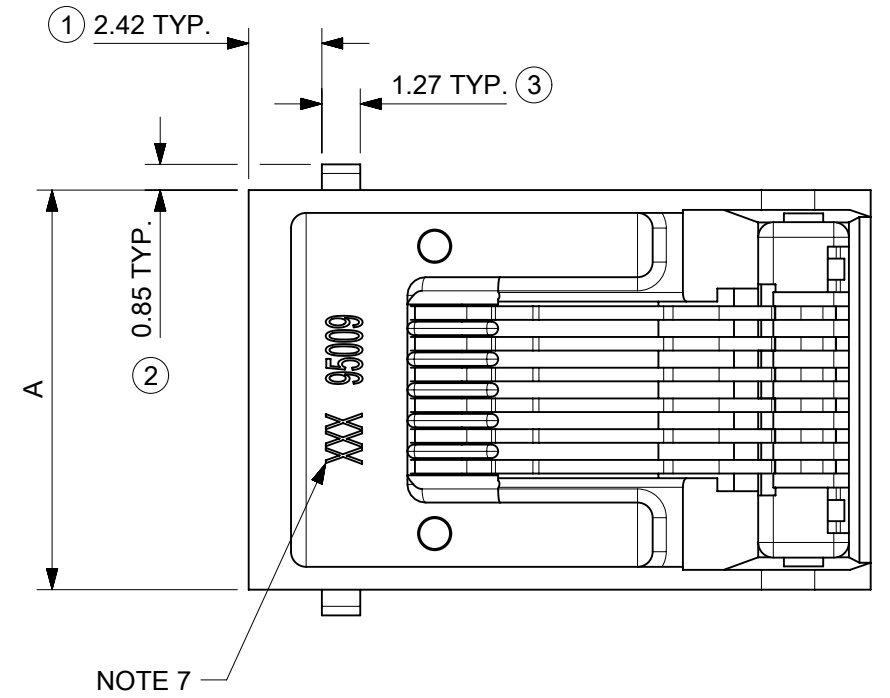
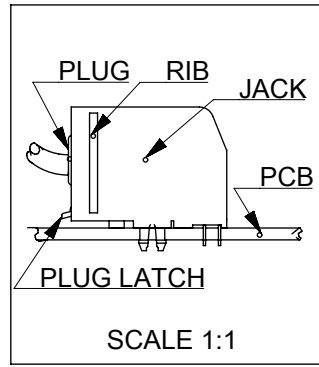


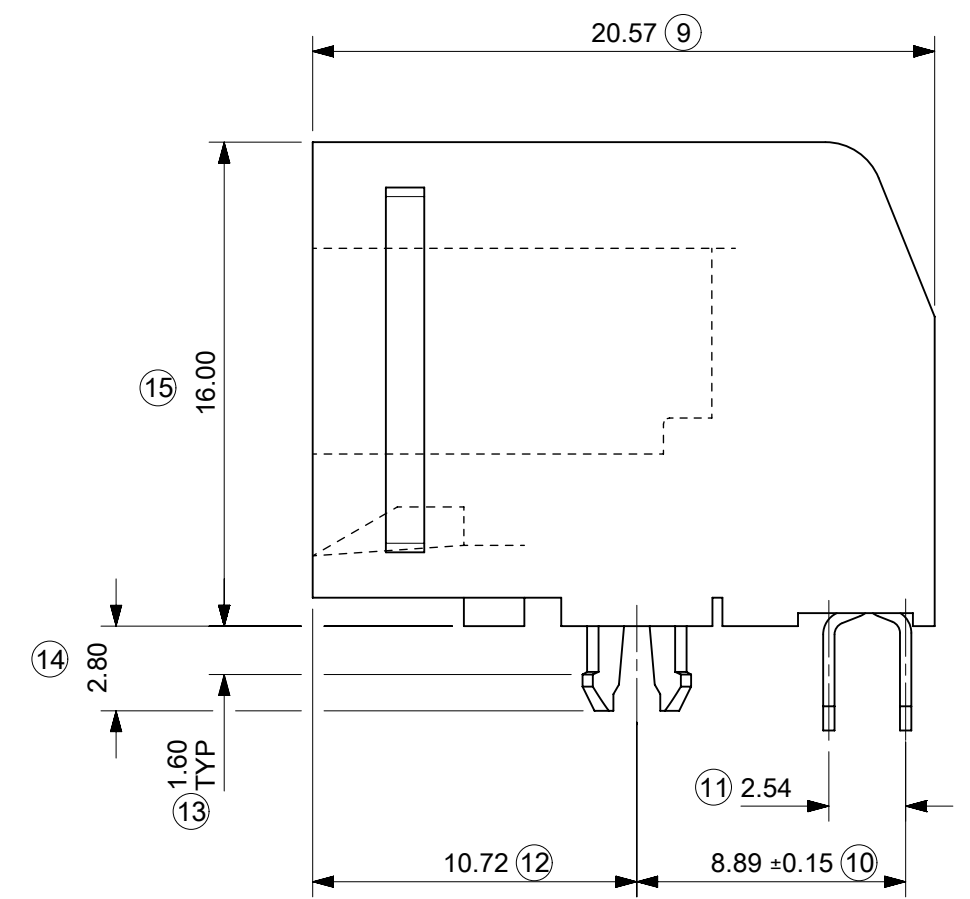
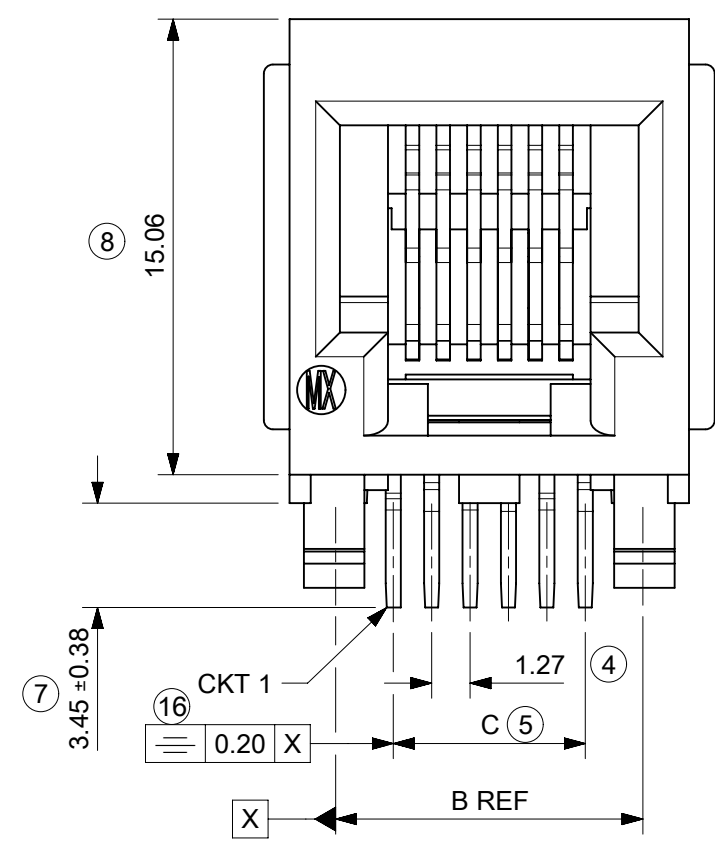
**NOTES:**

- MATERIAL: POLYESTER FIBER GLASS FILLED UL 94-V0  
COLOR BLACK
- TERMINAL: COPPER ALLOY
- PLATINGS: BASE FINISH: NICKEL  
CONTACT SURFACE FINISH:  
GOLD  
OR  
GOLD FLASH OVER PALLADIUM NICKEL  
EXCEEDS PRODUCT REQUIREMENTS BASED ON PS-95009-001
- PC BOARD THICKNESS: 1.57
- JACK FOR MATING WITH IEC-60603-7 AND TIA-1096-A  
MOLEX 90075 SERIES PLUGS
- PRODUCT SPECIFICATION PS-95009-001
- APPLICATION SPECIFICATION AS-95001
- PACKAGING SPECIFICATION PK-95029
- MANUFACTURING I.D. CAN BE MXF, MG, MXI OR MXCH

INSPECTION NUMBERS USED: 1 - 50  
LAST INSPECTION NUMBER: 16  
REMOVED INSPECTION NO: 6

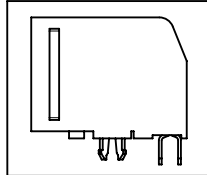


**MOUNTING HOLE PATTERNS**  
(SEE FROM COMPONENT SIDE)  
ALL DIMENSIONS REF DIMENSIONS

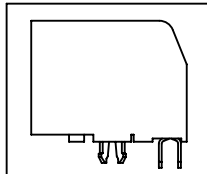


THIS DRAWING CONTAINS INFORMATION THAT IS PROPRIETARY TO MOLEX ELECTRONIC TECHNOLOGIES, LLC AND SHOULD NOT BE USED WITHOUT WRITTEN PERMISSION									
DIMENSION UNITS <b>mm</b>		SCALE <b>4:1</b>		CURRENT REV DESC: REMASTERED USING 3D MODELS					
GENERAL TOLERANCES (UNLESS SPECIFIED)				<p>FLUSH MOUNT RIGHT ANGLE MODULAR JACK ASSEMBLY THROUGH HOLE VERSION</p> <p>PRODUCT CUSTOMER DRAWING</p>					
ANGULAR TOL ± 0.5°									
4 PLACES ±		EC NO: 686855		DRWN: AKUMAR19		2021/08/12		DOCUMENT NUMBER	
3 PLACES ±		CHK'D: KLANG		APPR: KLANG		2022/01/17		SDA-95009-F	
2 PLACES ± 0.25		INITIAL REVISION:		DRWN: RFC_PLMIMP		2018/11/02		DOC TYPE DOC PART REVISION	
1 PLACE ± 0.35		APPR: KNOLLER		APPR: KNOLLER		2004/11/15		PSD 001 L2	
0 PLACES ±		THIRD ANGLE PROJECTION		DRAWING		SERIES		MATERIAL NUMBER	
DRAFT WHERE APPLICABLE MUST REMAIN WITHIN DIMENSIONS		A3-SIZE		95009		SEE CHART		CUSTOMER	
								GENERAL MARKET	
								SHEET NUMBER	
								1 OF 2	

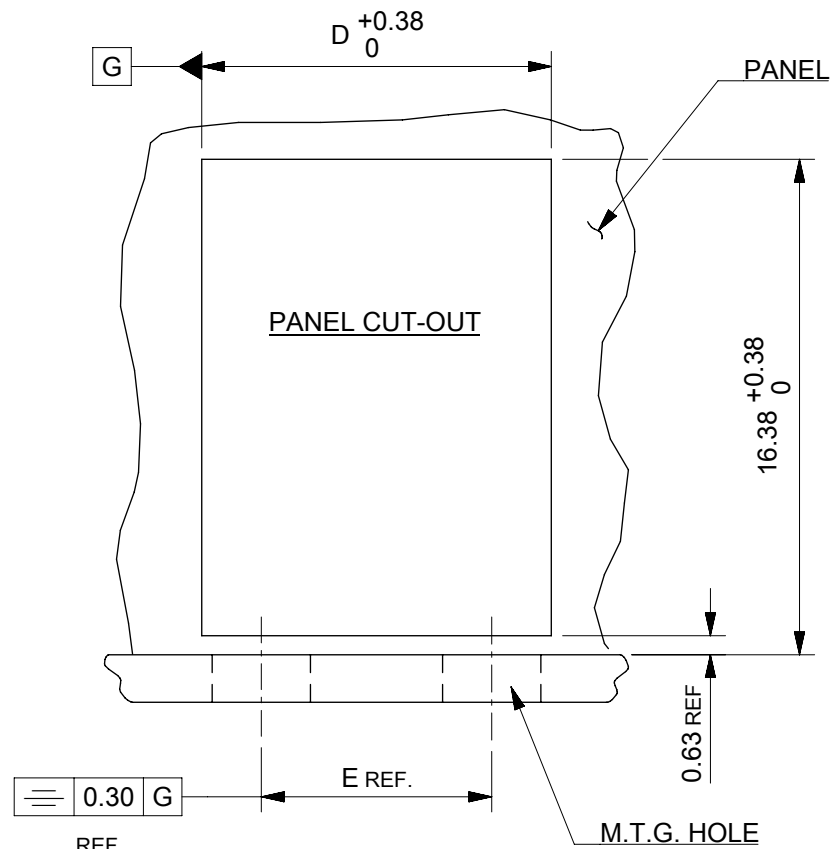
**PART NUMBERS FOR JACK WITH RIBS**

	TYPE		POS. 4	TOOLED	POS. 6	TOOLED	POS. 6	TOOLED	POS. 8	TOOLED
	PLATING		4 CKTS.		4 CKTS.		6 CKTS.		8 CKTS.	
		FINISH 7	95009-7441	X	95009-7641	X	95009-7661	X	95009-7881	X

**PART NUMBERS FOR JACK WITHOUT RIBS**

	TYPE		POS. 4	TOOLED	POS. 6	TOOLED	POS. 6	TOOLED	POS. 8	TOOLED
	PLATING		4 CKTS.		4 CKTS.		6 CKTS.		8 CKTS.	
		FINISH 7	N/A	X	95009-2647	X	95009-7667	X	95009-7887	X

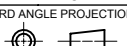
**SUGGESTED BOARD LAYOUT**  
ALL DIMENSIONS ARE REFERENCE DIMENSIONS



TYPE	POS. 4	POS. 6		POS. 8
	4 CKTS.	4 CKTS.	6 CKTS.	8 CKTS.
PLATING				
A	11.18	13.21	13.21	15.24
B	7.62	10.16	10.16	11.43
C	3.81	3.81	6.35	8.89
D	11.56	13.59	13.59	15.62
E	7.62	10.16	10.16	11.43
F	3.81	3.81	6.35	8.89

**NOTES:**

INSPECTION NUMBERS USED: 51 - 100  
LAST INSPECTION NUMBER: 53

THIS DRAWING CONTAINS INFORMATION THAT IS PROPRIETARY TO MOLEX ELECTRONIC TECHNOLOGIES, LLC AND SHOULD NOT BE USED WITHOUT WRITTEN PERMISSION		CURRENT REV DESC: REMASTERED USING 3D MODELS		<b>molex</b>	
DIMENSION UNITS	SCALE	EC NO: 686855			
mm	4:1	DRWN: AKUMAR19 2021/08/12		PRODUCT CUSTOMER DRAWING	
GENERAL TOLERANCES (UNLESS SPECIFIED)		CHK'D: KLANG 2022/01/17		DOCUMENT NUMBER	
ANGULAR TOL ± 0.5°		APPR: KLANG 2022/01/17		SDA-95009-F	
4 PLACES ±	INITIAL REVISION:		DOC TYPE		DOC PART
3 PLACES ±	DRWN: RFC_PLMIMP 2018/11/02		PSD		001
2 PLACES ± 0.25	APPR: KNOLLER 2004/11/15		REVISION		L2
1 PLACE ± 0.35	DRAFT WHERE APPLICABLE MUST REMAIN WITHIN DIMENSIONS		MATERIAL NUMBER		CUSTOMER
0 PLACES ±	THIRD ANGLE PROJECTION	DRAWING	SERIES	SEE CHART	GENERAL MARKET
		A3-SIZE	95009	SHEET NUMBER	
				2 OF 2	