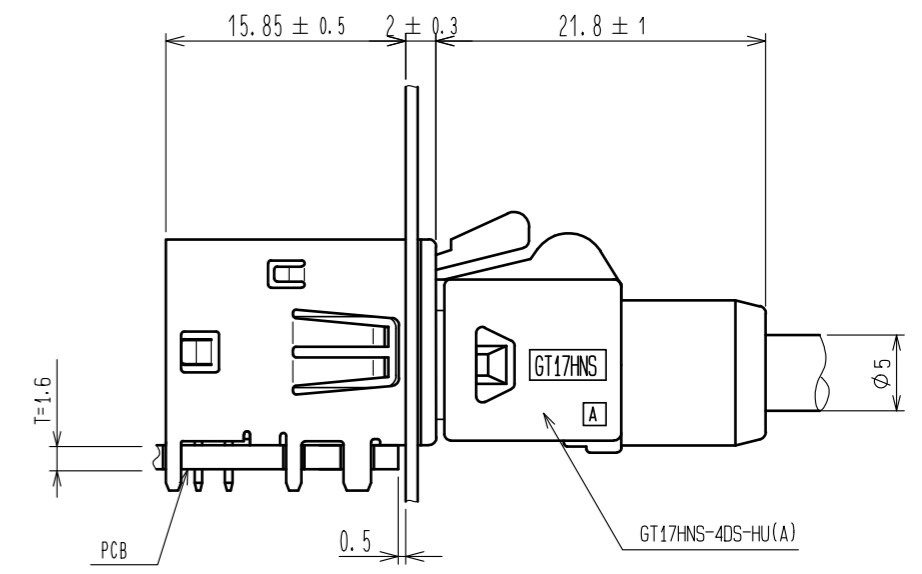
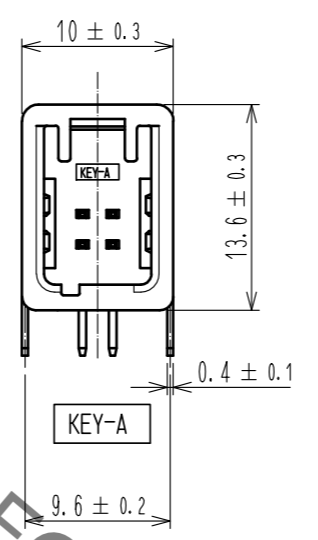
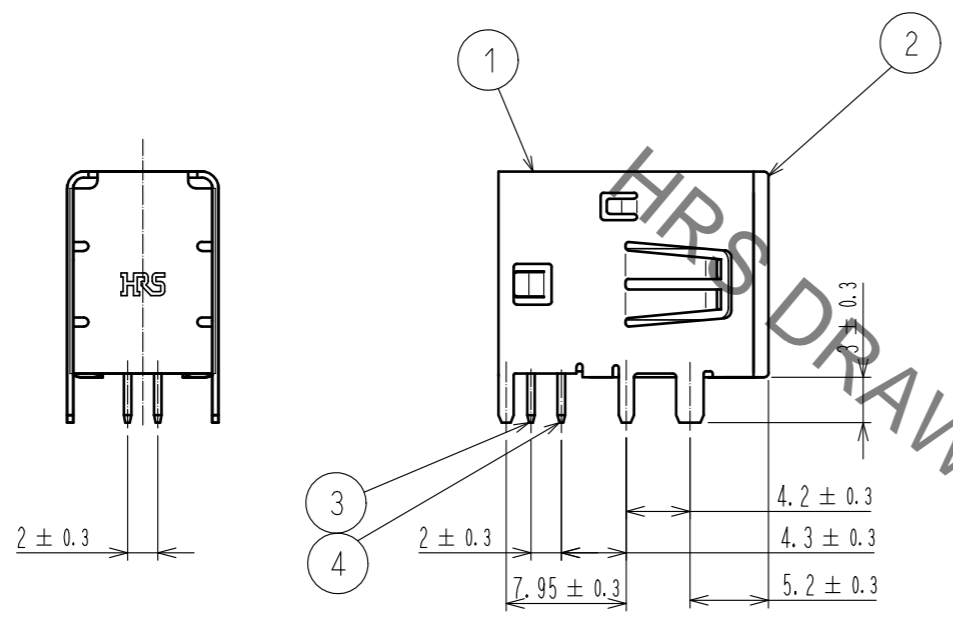
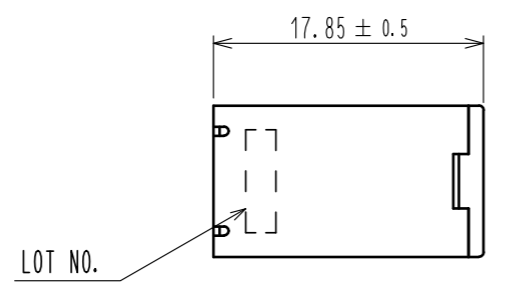
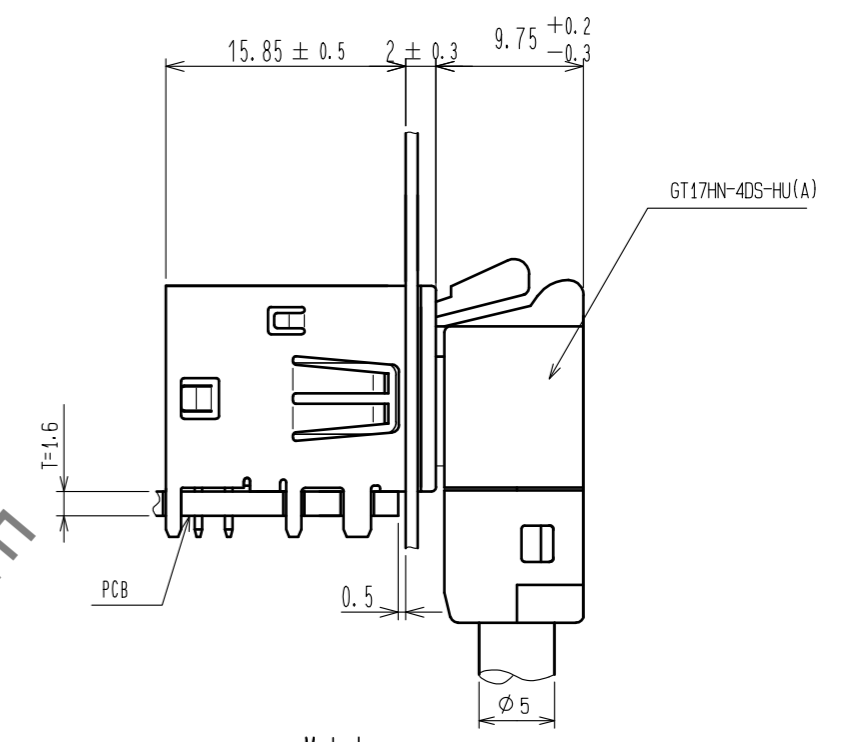


May.1.2023 Copyright 2023 HIROSE ELECTRIC CO., LTD. All Rights Reserved.  
 In case of consideration for using Automotive equipment / device which demand high reliability, kindly contact our sales window correspondents.

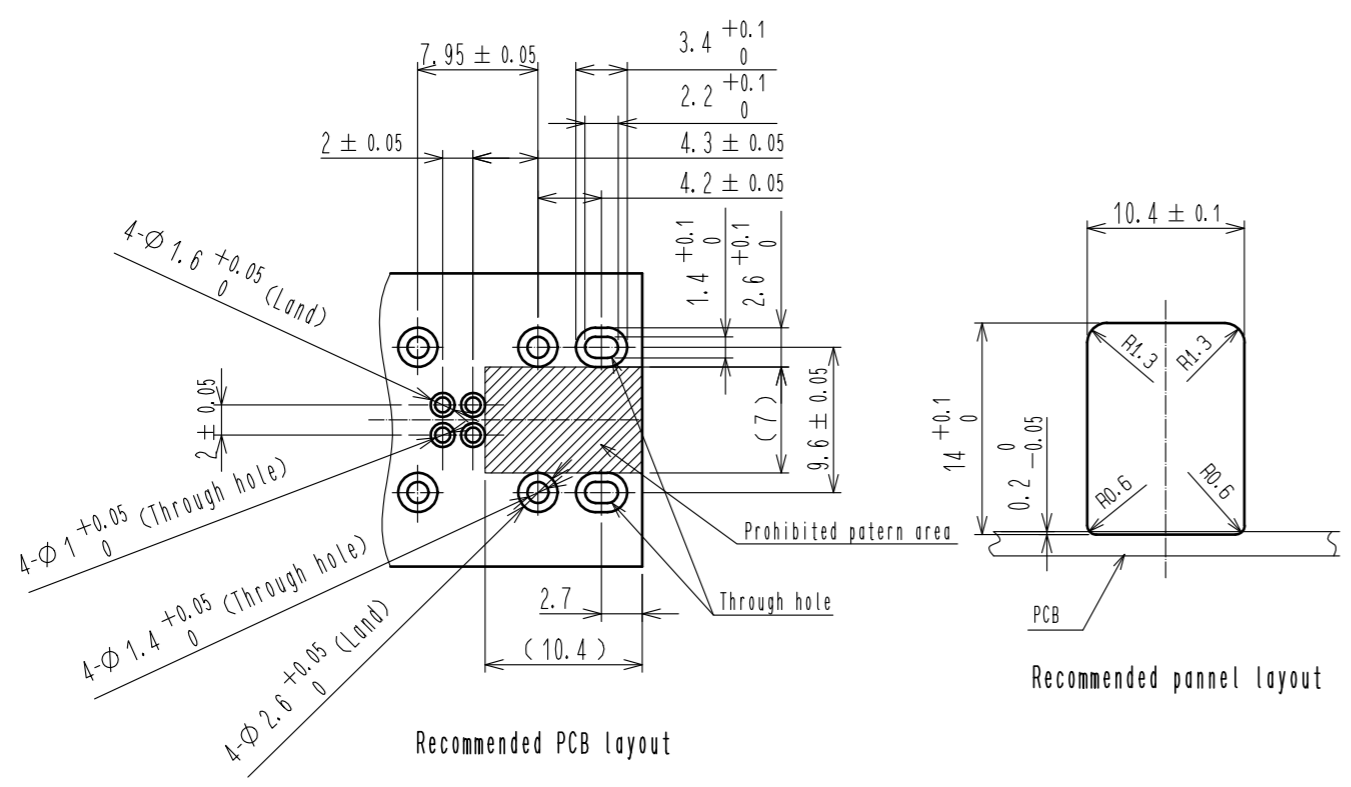
ELV, RoHS Compliant



Mated connector



Mated connector

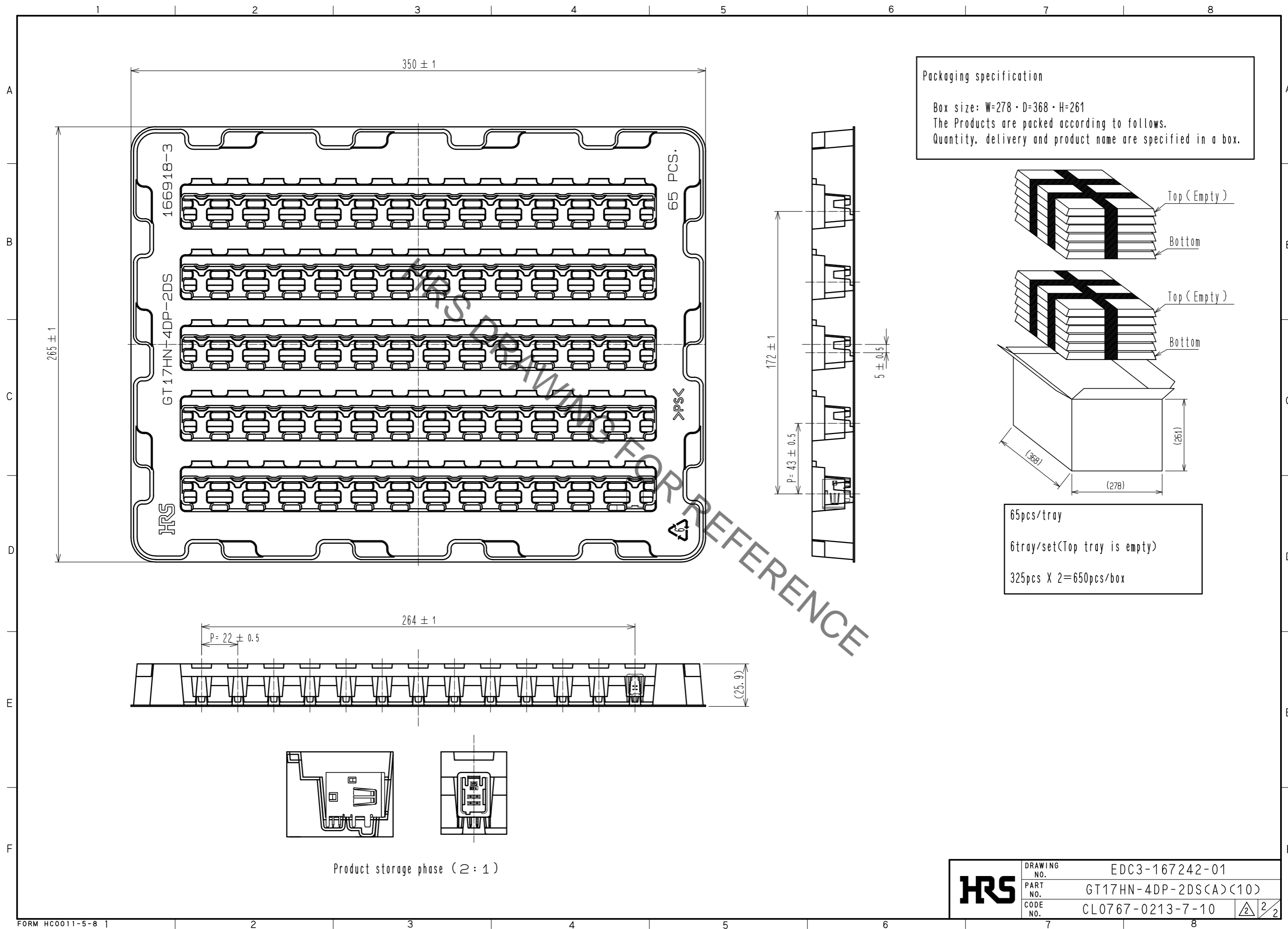


Recommended PCB layout

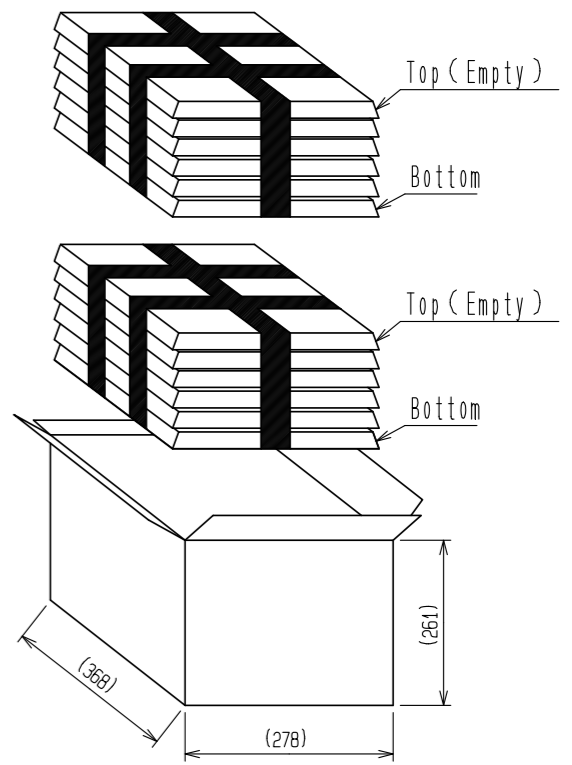
Recommended panel layout

2	PBT	Brown	4	Brass	Tin plating(Pre-plated material)		
1	Copper alloy	Tin plating(Pre-plated material)	3	Brass	Tin plating(Pre-plated material)		
NO.	MATERIAL	FINISH . REMARKS	NO.	MATERIAL	FINISH . REMARKS		
UNITS	mm	SCALE	COUNT	DESCRIPTION OF REVISIONS	DESIGNED	CHECKED	DATE
		2 : 1	3	DIS-T-00011522	YK. KANNO	EJ. WAKATSUKI	20211008
APPROVED : NH. NAKATA		20130619	DRAWING NO. EDC3-167242-01				
CHECKED : TS. KUBOTA		20130619	PART NO. GT17HN-4DP-2DS(A)(10)				
DESIGNED : KK. FURUKAWA		20130617	CODE NO. CL0767-0213-7-10				
DRAWN : KK. FURUKAWA		20130617					

May.1.2023 Copyright 2023 HIROSE ELECTRIC CO., LTD. All Rights Reserved.  
 In case of consideration for using Automotive equipment / device which demand high reliability, kindly contact our sales window correspondents.



**Packaging specification**  
 Box size: W=278 · D=368 · H=261  
 The Products are packed according to follows.  
 Quantity, delivery and product name are specified in a box.



65pcs/tray  
 6tray/set(Top tray is empty)  
 325pcs X 2=650pcs/box

<b>HRS</b>	DRAWING NO.	EDC3-167242-01	
	PART NO.	GT17HN-4DP-2DS(A)(10)	
	CODE NO.	CL0767-0213-7-10	$\triangle$ 2/2