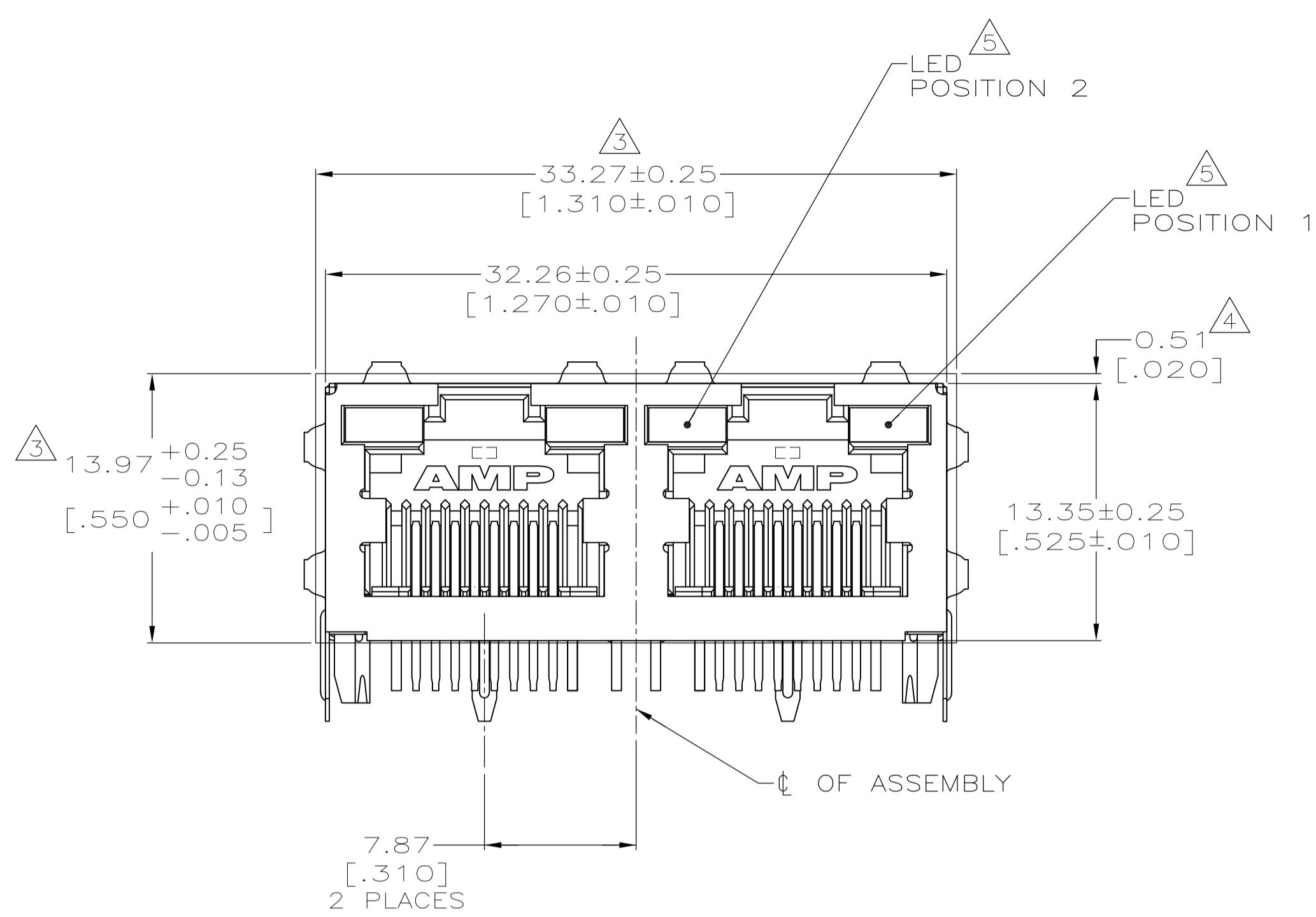
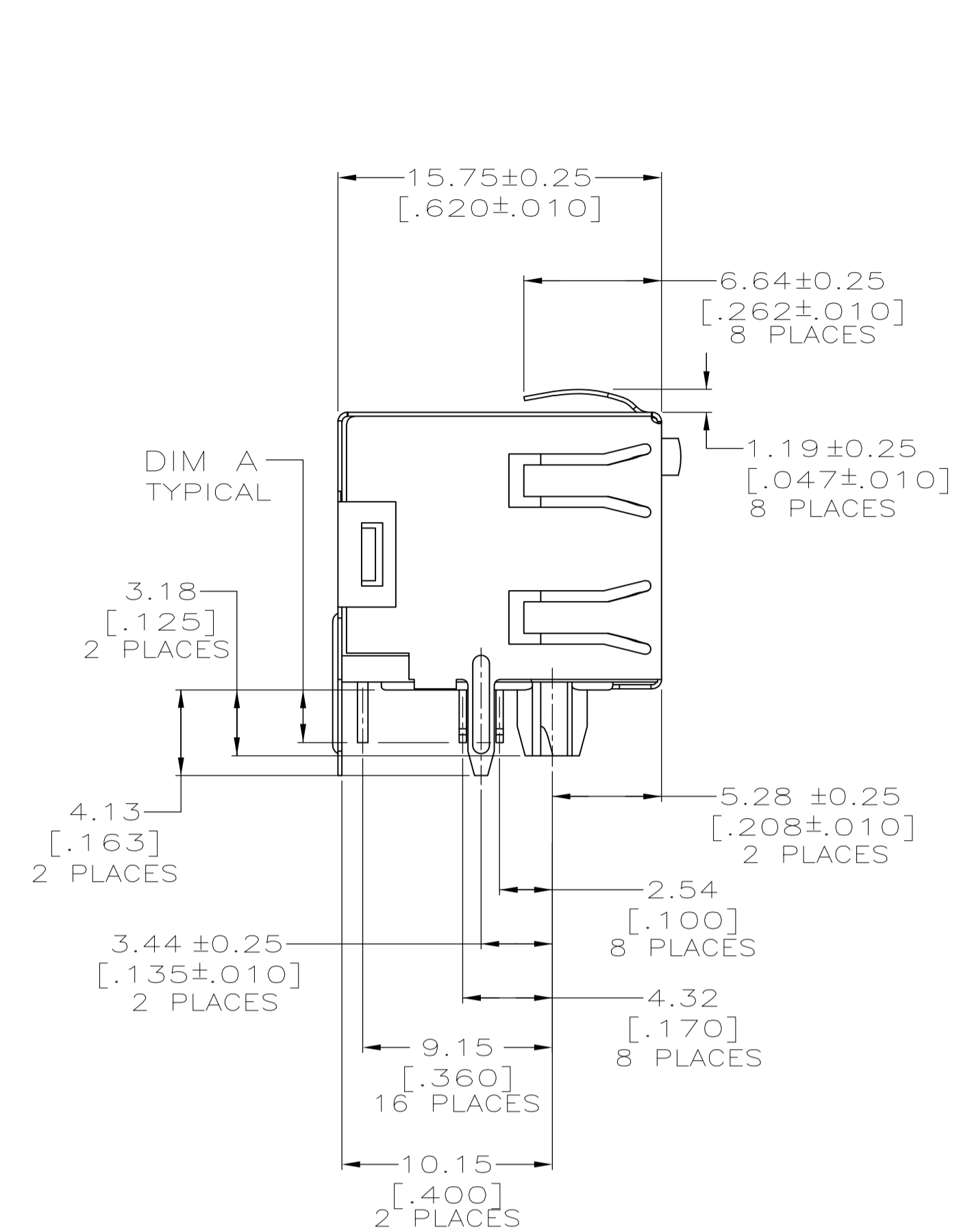
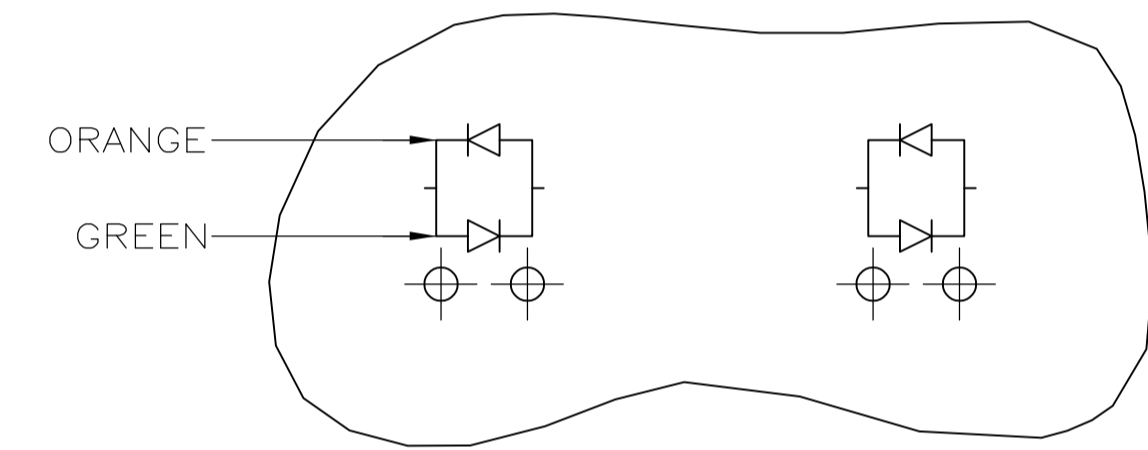


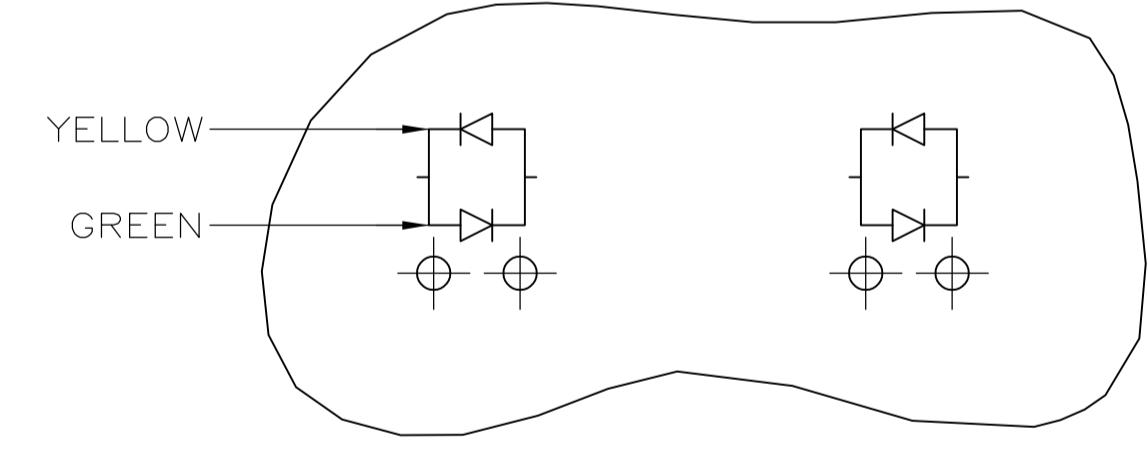
LOC	DIST	REVISIONS					
AA	00	REV	PER	ECO	DATE	BY	APPV
E	REV PER ECO	13-000217			31DEC2012	DZ	AC



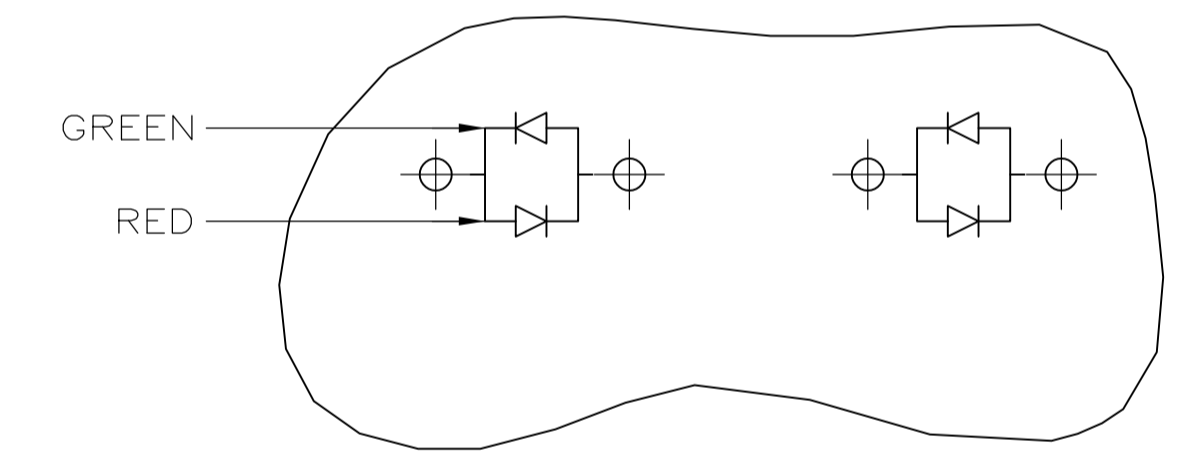
- MATERIAL:
HOUSING - HIGH TEMPERATURE THERMOPLASTIC, BLACK, UL94V-0.
TERMINALS - 0.36[.014] THICK PHOS BRONZE PLATED WITH 3.81µm[.000150] MINIMUM THICK MATTE TIN IN SOLDER AREA. 1.27µm [.000050] MINIMUM GOLD IN LOCALIZED PLATE AREA. ENTIRE TERMINAL PLATED WITH 1.27µm [.000050] MINIMUM THICK NICKEL.
SHIELD - 0.196[.0077] THICK COPPER ZINC ALLOY PREPLATED WITH 1.27µm[.000050] MINIMUM SATIN NICKEL WITH 2.03µm[.000080] MINIMUM TIN POST DIPPED ON PCB GROUND TABS.
LIGHT EMITTING DIODE (LED) - DIFFUSED EPOXY LENS, 0.51 x 0.51[.020 x .020] CARBON STEEL WIREFRAME LEADS PREPLATED WITH 8.89µm THICK Sn/Cu OVER 2.03µm THICK Ag OVER 1.02µm THICK Cu OVER 3.56µm THICK Ni OVER 1.02µm THICK Cu UNDERPLATE
- JACK CAVITY CONFORMS TO FCC RULES AND REGULATIONS PART 68, SUBPART F.
- SUGGESTED PANEL OPENING DIMENSIONS.
- SUGGESTED CLEARANCE BETWEEN TOP OF CONNECTOR AND TOP PANEL OPENING.
- SEE TABLE FOR COLOR OF LEDS AND NUMBER REQUIRED.
- THIS MODULAR JACK WITH INTEGRATED LED IS NOT IR REFLOW SOLDERING PROCESS COMPATIBLE.
- OBsolete PARTS: OBsolete CIS STREAMLINING PER D.RENAUD/D.SINISI
- TAPE & REEL PACKAGING, FULLY ESD COMPLIANCE.



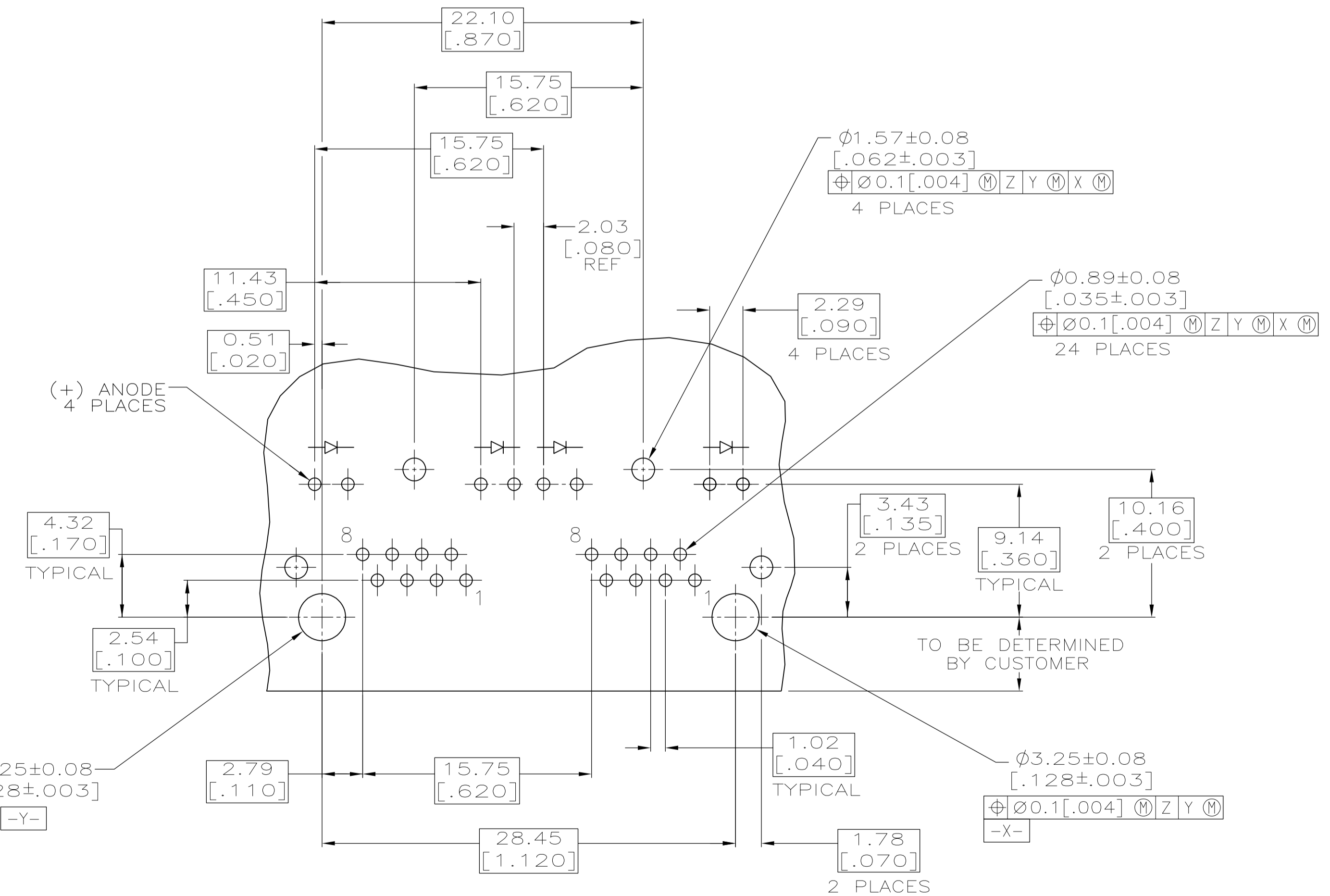
LED CURRENT DIAGRAM
6116353-7 ONLY



LED CURRENT DIAGRAM
6116353-8 ONLY



LED CURRENT DIAGRAM
1-6116353-3 & 2-6116353-9 ONLY



SUGGESTED PRINTED CIRCUIT BOARD LAYOUT
(COMPONENT SIDE)

INDICATOR COLOR FOR EACH HOUSING	POSITION 2	POSITION 1	PART NUMBER
2.54 [.100]	YELLOW	GREEN	3-6116353-2
3.05 [.120]	YELLOW	GREEN	3-6116353-1
3.55 [.140]	RED/GREEN	RED/GREEN	2-6116353-9
3.05 [.120]	YELLOW/GREEN	YELLOW/GREEN	2-6116353-8
3.05 [.120]	GREEN	GREEN	2-6116353-4
2.54 [.100]	RED	YELLOW/GREEN	2-6116353-3
2.54 [.100]	RED/GREEN	RED/GREEN	1-6116353-3
3.55 [.140]	YELLOW	GREEN	6116353-9
2.54 [.100]	YELLOW/GREEN	YELLOW/GREEN	6116353-8
2.54 [.100]	ORANGE/GREEN	ORANGE/GREEN	6116353-7
2.54 [.100]	YELLOW	YELLOW	6116353-6
2.54 [.100]	GREEN	GREEN	6116353-5
2.54 [.100]	GREEN	YELLOW	6116353-4
2.54 [.100]	YELLOW	-	6116353-3
2.54 [.100]	-	GREEN	6116353-2
2.54 [.100]	YELLOW	GREEN	6116353-1

THIS DRAWING IS A CONTROLLED DOCUMENT.		DL DRUMMOND/L.A.MAYER		TE Connectivity	
DIMENSIONS: mm		TOLERANCES UNLESS OTHERWISE SPECIFIED:		APPROVED: S.FLICKINGER	
0 PLC	±	1 PLC	±	2 PLC	±
1 PLC	±	2 PLC	±	3 PLC	±
2 PLC	±	3 PLC	±	4 PLC	±
3 PLC	±	4 PLC	±	ANGLES	±
4 PLC	±	ANGLES	±		
MATERIAL: SEE NOTE 1		FINISH: SEE NOTE 1		WEIGHT: -	
CUSTOMER DRAWING		SCALE: 4:1		SHEET 1 OF 1	