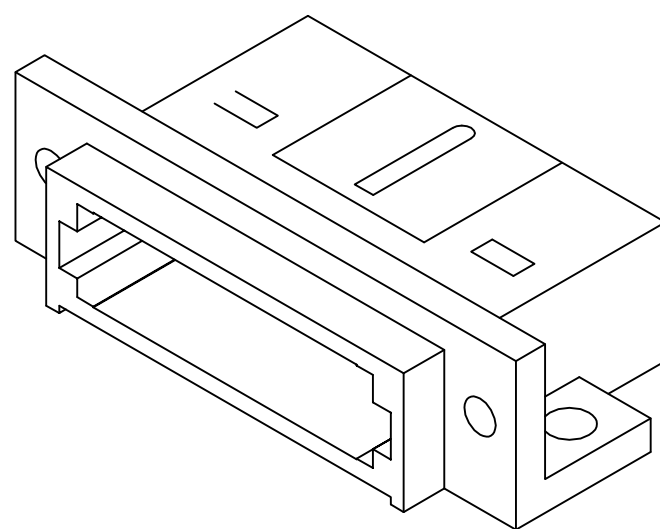
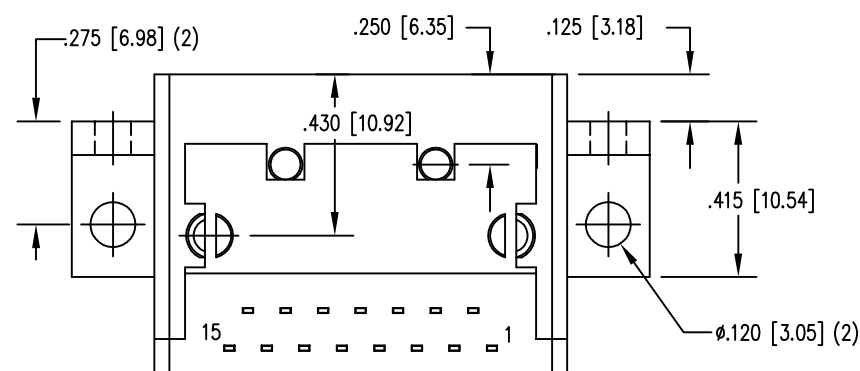
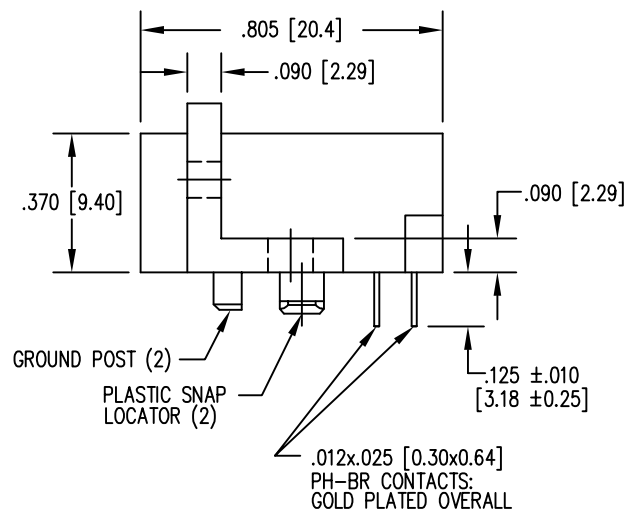
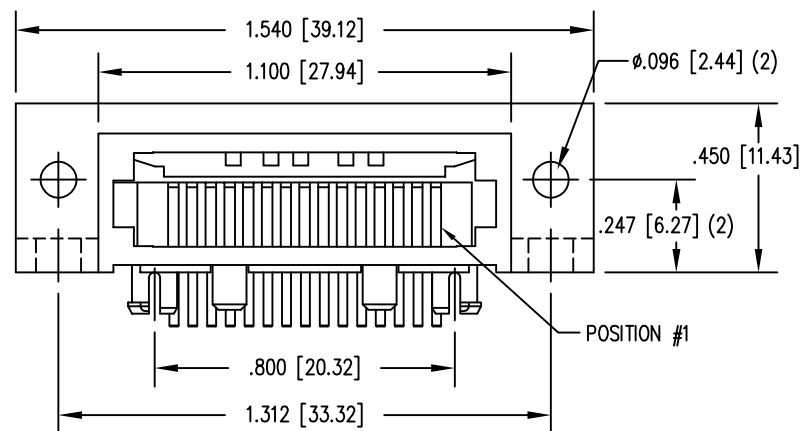


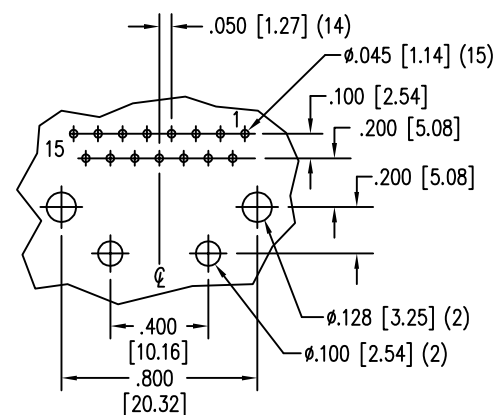
DATE	REV	ECN	APP'D. BY
9/28/15	A7	10429	SMN
3-28-16	A8	10634	TRM



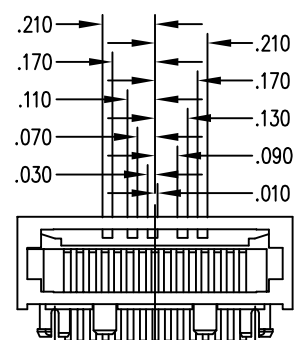
NOTES:

- CONNECTOR MATERIALS:  
HOUSING: THERMOPLASTIC UL94 V-0  
CONTACTS/SHIELD: COPPER ALLOY  
SHIELD PLATING: NICKEL OR TIN  
CONTACT PLATING: SELECTIVE GOLD IN CONTACT AREA  
SEE CHART FOR PART NUMBER
- FOR PRODUCT SPECIFICATIONS SEE PR026-01.

	SS-61150-005
	ROI PART NUMBER
30 MICRO-INCHES [0.76um]	SS-611515-TLF-P-26-4/6
CONTACT PLATING IN MATING AREA	LONG PART NUMBER



PC BOARD TOP VIEW



DIMENSIONS FOR KEY-26



THIRD ANGLE PROJECTION	
DO NOT SCALE DRAWING DRAWING IS SUBJECT TO CHANGE WITHOUT NOTICE	
DIMENSIONS: INCHES [METRIC]	
UNLESS OTHERWISE SPECIFIED TOLERANCES ARE ±.005 [0.13] ANGLES ARE ± 1°	
SHEET NO. 1 OF 1	

 1118 Susquehanna Trail South Glen Rock, PA 17327-9199 (717) 235-7512 <a href="http://www.stewartconnector.com">http://www.stewartconnector.com</a>	<b>TITLE:</b> 15X15 COMPU-SHIELD JACK FINAL ASSY, FLANGED, KEYED, #4-40 TAP ON Ø .096 HOLES AND #6-32 ON Ø .120 HOLES.	
	DRN BY: B.K.      DATE: 6-19-95 APPD BY: J.W.      DATE: 6-23-95 DWG NO. CT610028      REV. A8	