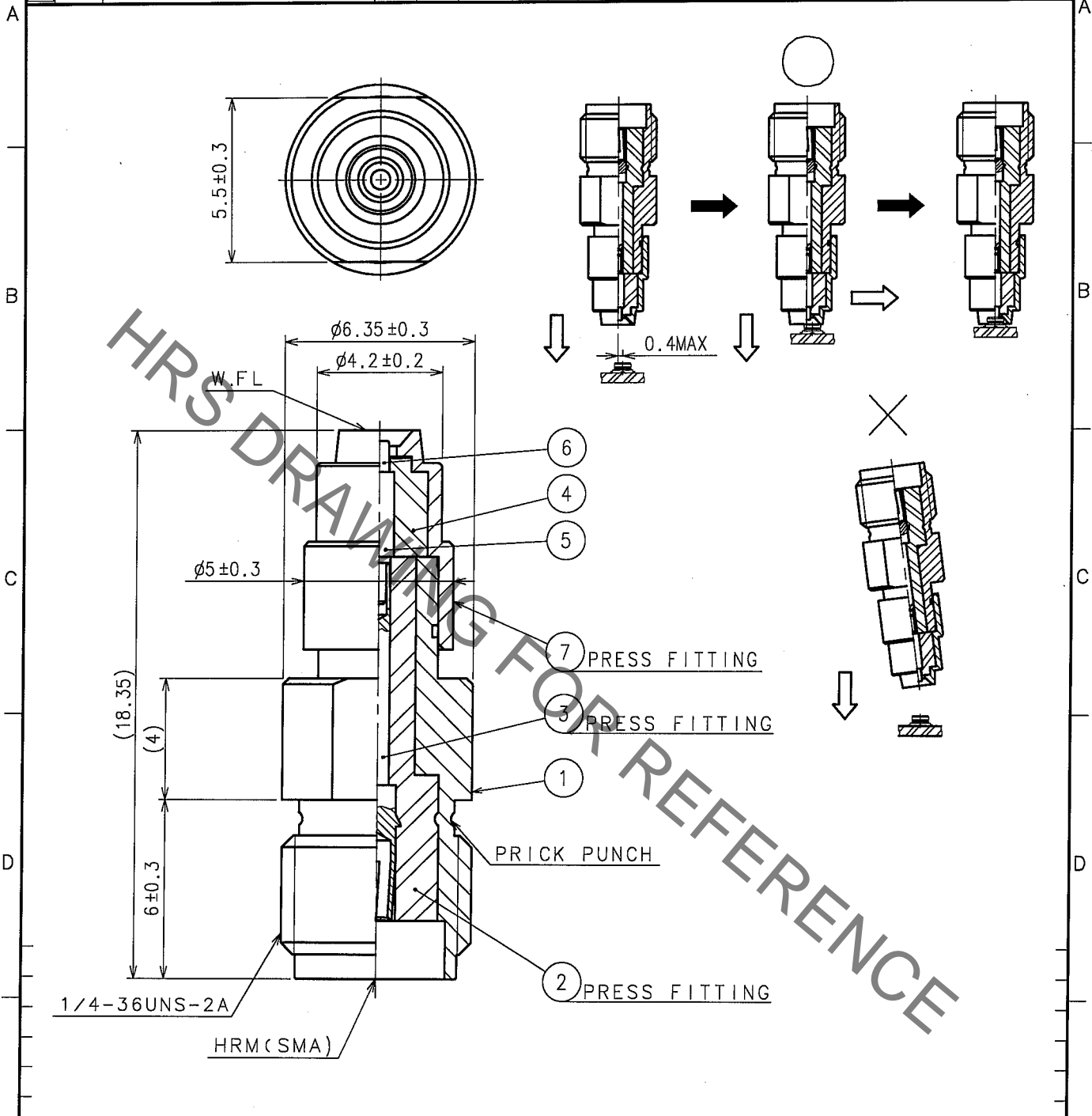


May.1.2023 Copyright 2023 HIROSE ELECTRIC CO., LTD. All Rights Reserved.
 In case of consideration for using Automotive equipment / device which demand high reliability, kindly contact our sales window correspondents.

1		2			3			4		
COUNT	DESCRIPTION OF REVISIONS	BY	CHKD	DATE	COUNT	DESCRIPTION OF REVISIONS	BY	CHKD	DATE	
△				..	△				..	
△				..	△				..	
△				..	△				..	



NO.	MATERIAL	FINISH, REMARKS	NO.	MATERIAL	FINISH, REMARKS
4	PTFE		7	STAINLESS STEEL	GOLD PLATING
3	BERYLLIUM COPPER	GOLD PLATING	6	BERYLLIUM COPPER	GOLD PLATING(FREE CONTACT)
2	PTFE		5	BRASS	GOLD PLATING
1	BRASS	NICKEL PLATING			

CODE NO. (OLD) CL311-0386-8-00		DRAWN N. Ninomiya 05.05.21	DESIGNED N. Ninomiya 05.05.21	CHECKED M. Yamane 05.05.23	APPROVED J. Matsui 05.05.24	RELEASED
-----------------------------------	--	----------------------------------	-------------------------------------	----------------------------------	-----------------------------------	----------

	DRAWING NO. EDC4-302680-40	PART NO. HRMJ-W.FLP-ST1(40)
SCALE 5 : 1	HIROSE ELECTRIC CO., LTD.	CODE NO. CL311-0386-8-40
UNITS mm		1/1

