

4

3

2

1

THIS DRAWING IS UNPUBLISHED.

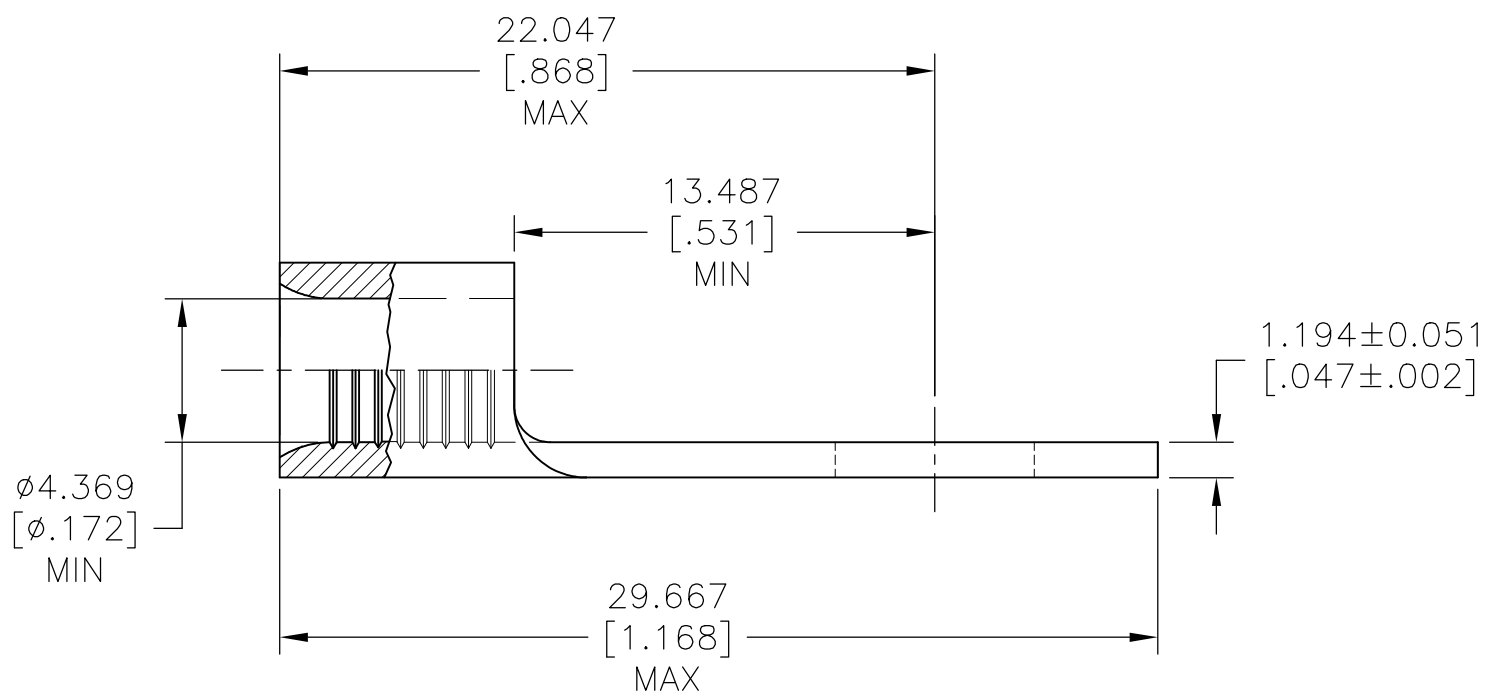
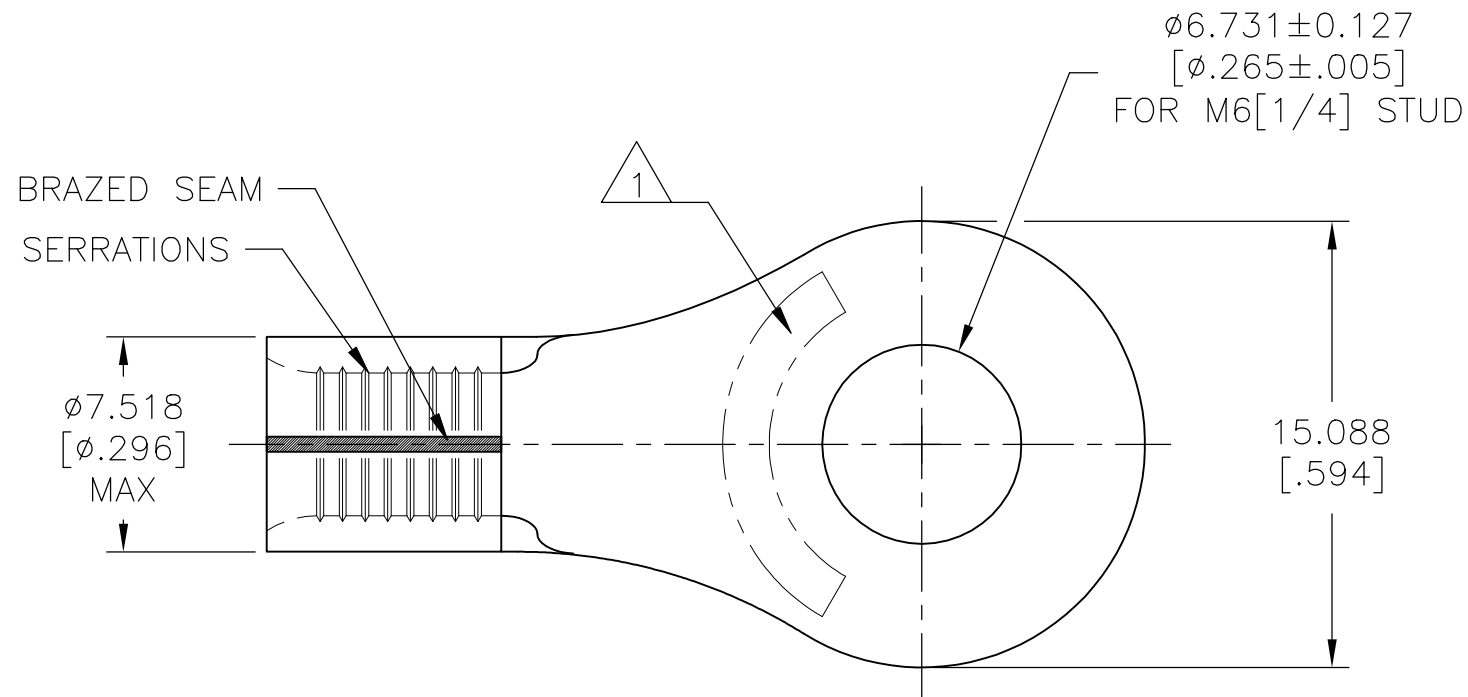
RELEASED FOR PUBLICATION

ALL RIGHTS RESERVED.

© COPYRIGHT - By -

REVISIONS

P	LTR	DESCRIPTION	DATE	DWN	APVD
G2		REVISED PER ECO-16-001643	05FEB2016	NK	DR
G3		REVISED PER ECO-17-008808	02FEB2018	RS	DR
G4		REVISED PER ECO-18-009935	27JUN2018	RS	DR



AMP WIRE RANGE	E13288 Listed
8 AWG SOLID OR STRANDED	8 AWG STRANDED
LR7189 Certified	MILITARY P/N AND CLASS
8 AWG SOLID OR STRANDED	NOT APPLICABLE

- 1 STAMP AMP 8* APPROX AS SHOWN
- 2 TIN PL 0.00254[.000100] MIN THK PER ASTM B-545
- 3 NOTE DELETED
- 4 NOTE DELETED

50	LOOSE PIECE, BOX	-	8-35247-2
100	LOOSE PIECE	2	35247
QTY	PACKAGE TYPE	FINISH	TE PART NUMBER

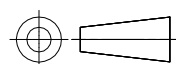
AMP INCORPORATED CUSTOMER SERVICE SYSTEMS

FOR ADDITIONAL PRODUCT INFORMATION OR COPIES OF DRAWINGS AND TECHNICAL DOCUMENTS	PRODUCT INFORMATION CENTER 1-800-522-6752
FOR APPLICATION TOOLING INFORMATION	TOOLING ASSISTANCE CENTER 1-800-722-1111
FOR ORDER ENTRY	1-800-526-5142

RECOMMENDED OPERATING TEMPERATURE: 170°C[338°F] MAX
VOLTAGE RATING: NOT APPLICABLE
WIRE CROSS SECTIONAL AREA RANGE: 6.64-10.50mm ² [13,100-20,800] CIR MILS SOLID OR STRANDED

THIS DRAWING IS A CONTROLLED DOCUMENT.

DIMENSIONS:
mm [INCHES]



MATERIAL COPPER
PER ASTM B-152
ANNEALED

TOLERANCES UNLESS OTHERWISE SPECIFIED:
0 PLC ± -
1 PLC ± -
2 PLC ± -
3 PLC ± 0.127[.005]
4 PLC ± -
ANGLES ± -

SEE TABLE

DWN	DK SCHRUM	22AUG97
CHK	MJ SPICER	22AUG97
APVD	JL MECKLEY	22AUG97
PRODUCT SPEC	UL 486 A-B	
APPLICATION SPEC	-	
WEIGHT	-	
CUSTOMER DRAWING		



NAME				TERMINAL, RING TONGUE, SOLISTRAND™ 8 AWG			
SIZE	CAGE CODE	DRAWING NO	RESTRICTED TO				
A3	00779	C-35247	-				
SCALE			SHEET	REV			
4:1			1 of 1	G4			