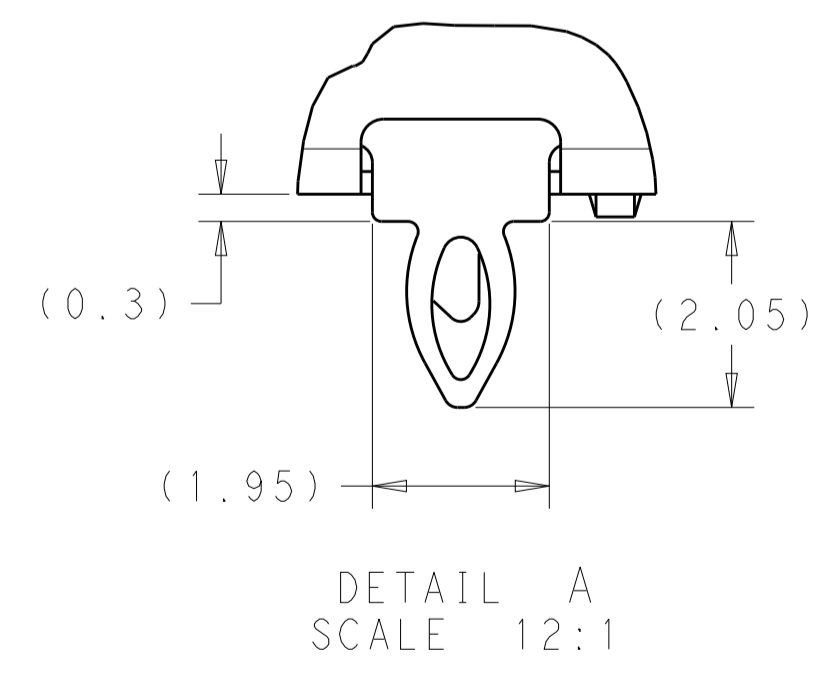
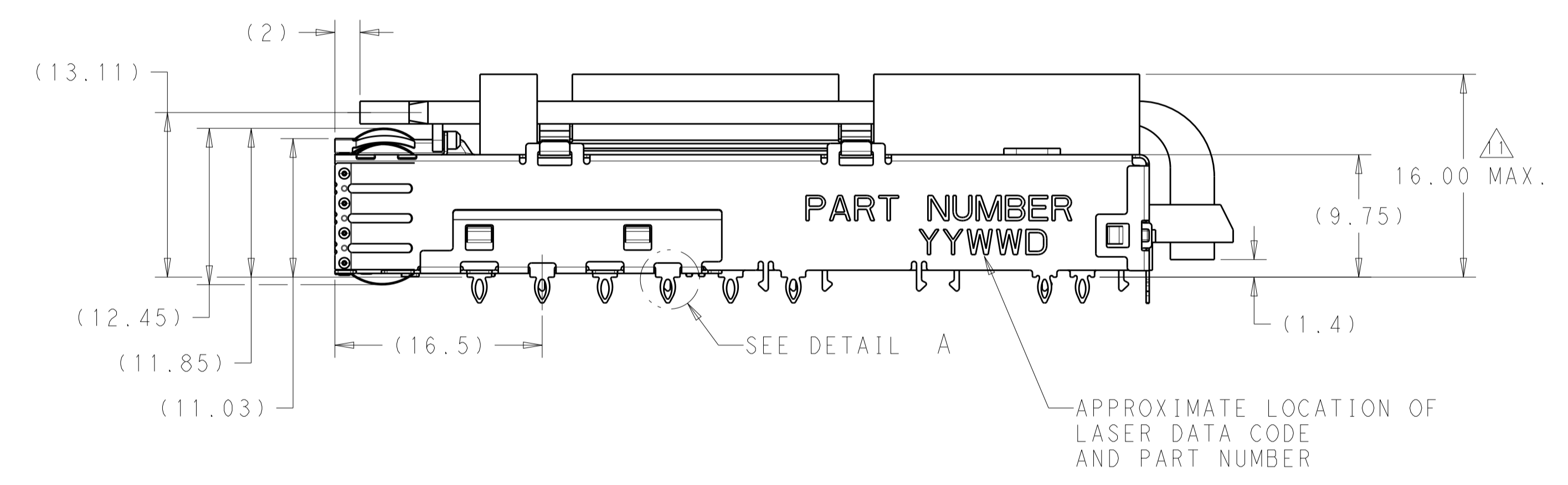


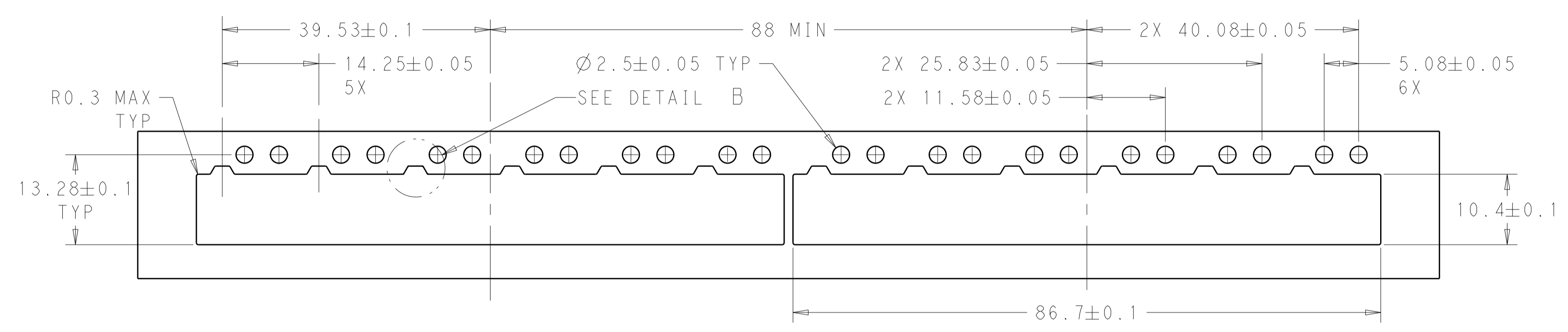
1. CAGE: 0.25mm THICK STAINLESS STEEL
EMI SPRINGS: COPPER ALLOY
HEAT SINK: ALUMINUM
HEAT SINK CLIP: STAINLESS STEEL
LIGHT PIPE: CLEAR POLYCARBONATE
 2. FINISH:
SPRINGS: 0.8um NICKEL. NON-PLATED EDGES PERMISSIBLE.
HEAT SINK: BLACK ANODIZATION
 3. MATES WITH SFP-DD MSA COMPLIANT TRANSCEIVERS.
 4. INTERPRETATION OF DATUM REFERENCE FRAME IN ACCORDANCE WITH SECT 4.4.1.1 OF ASME Y14.5M-1994.
 5. MINIMUM PC BOARD THICKNESS:
SINGLE SIDED = 1.57mm
DOUBLE SIDED = 2.20mm
 6. DATUM AND BASIC DIMENSION ESTABLISHED BY CUSTOMER.
 7. REFERENCE APPLICATION SPEC. 114-60027, HOLE A, FOR RECOMMENDED DRILL HOLE DIAMETER AND PLATING THICKNESS.
 8. REFERENCE APPLICATION SPEC. 114-60027, HOLE B, FOR RECOMMENDED DRILL HOLE DIAMETER AND PLATING THICKNESS.
 9. HOLE PATTERN REPEATS FOR EACH PORT. SPACING BETWEEN PORTS IS 14.25mm.
 10. DATUM -A- IS TOP SURFACE OF THE HOST BOARD.
- △ DIMENSION APPLIES WITH MODULE INSERTED INTO CAGE.

REVISIONS				
P.	LTN.	DESCRIPTION	DATE	APVD.
	A	INITIAL RELEASE	26OCT2020	AJ SH

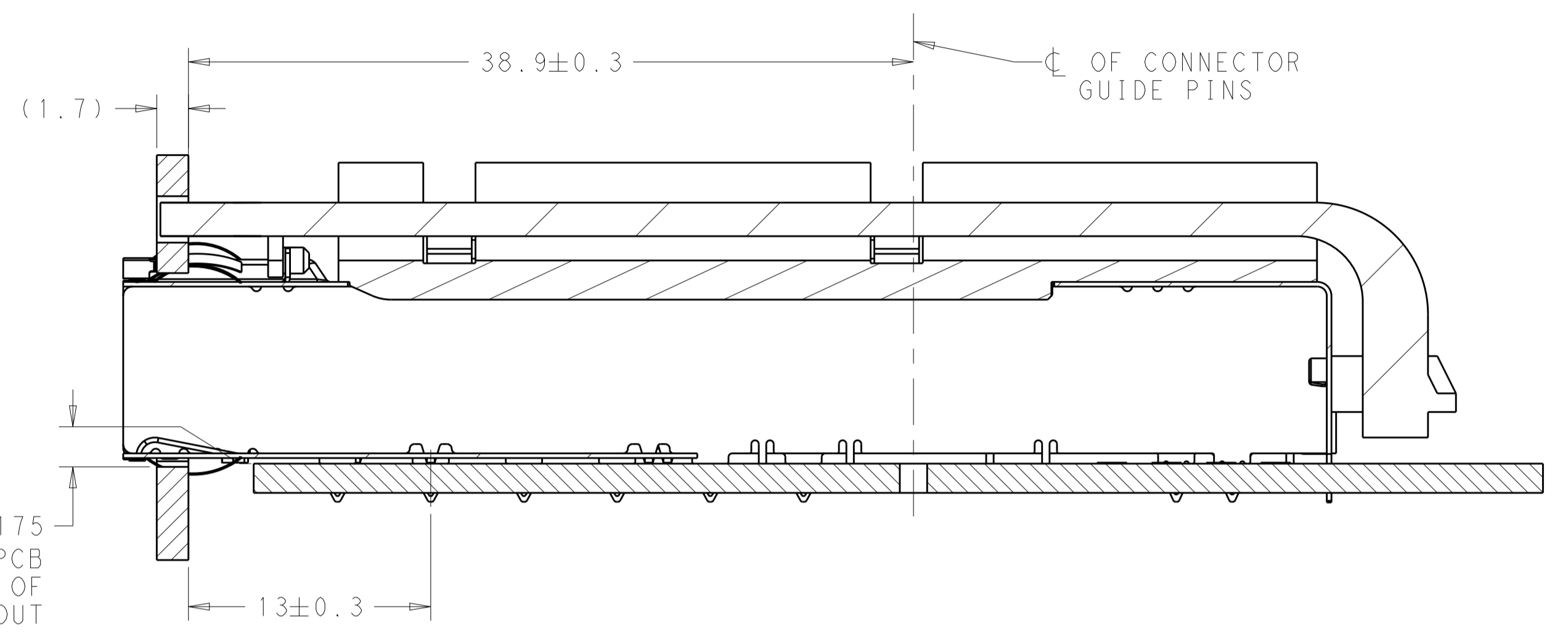


SAN		2		2		2364706-1	
HEAT SINK		LIGHT PIPE # PER PORT		REAR PIN # PER PORT		PART NUMBER	
THIS DRAWING IS A CONTROLLED DOCUMENT.		DWN: ARTHUR JIN 04NOV2019 CHK: SEAN HAN 04NOV2019		APVD: SEAN HAN		TE Connectivity	
DIMENSIONS:		TOLERANCES UNLESS OTHERWISE SPECIFIED:		NAME		RESTRICTED TO	
mm		0 PLC ±0.25 1 PLC ±0.25 2 PLC ±0.20 3 PLC ±0.20 4 PLC ±0.20		SFPDD 1X6 CAGE ASSEMBLY W/LP HS PRESS-FIT, EXTERNAL EMI SPRINGS		-	
MATERIAL		FINISH		PRODUCT SPEC		SIZE	
-		-		108-60128		CAGE CODE	
-		-		APPLICATION SPEC		DRAWING NO	
-		-		114-60027		A100779	
-		-		WEIGHT		C=2364706	
-		-		CUSTOMER DRAWING		SCALE 1:1 SHEET 1 OF 5 REV A	

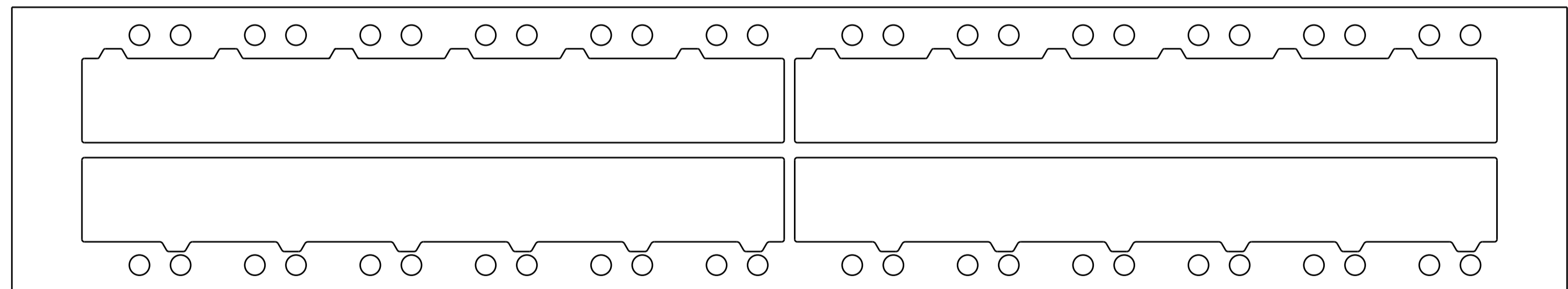
REVISIONS				
P.	LTN.	DESCRIPTION	DATE	APVD.
-	-	SEE SHEET 1	-	-



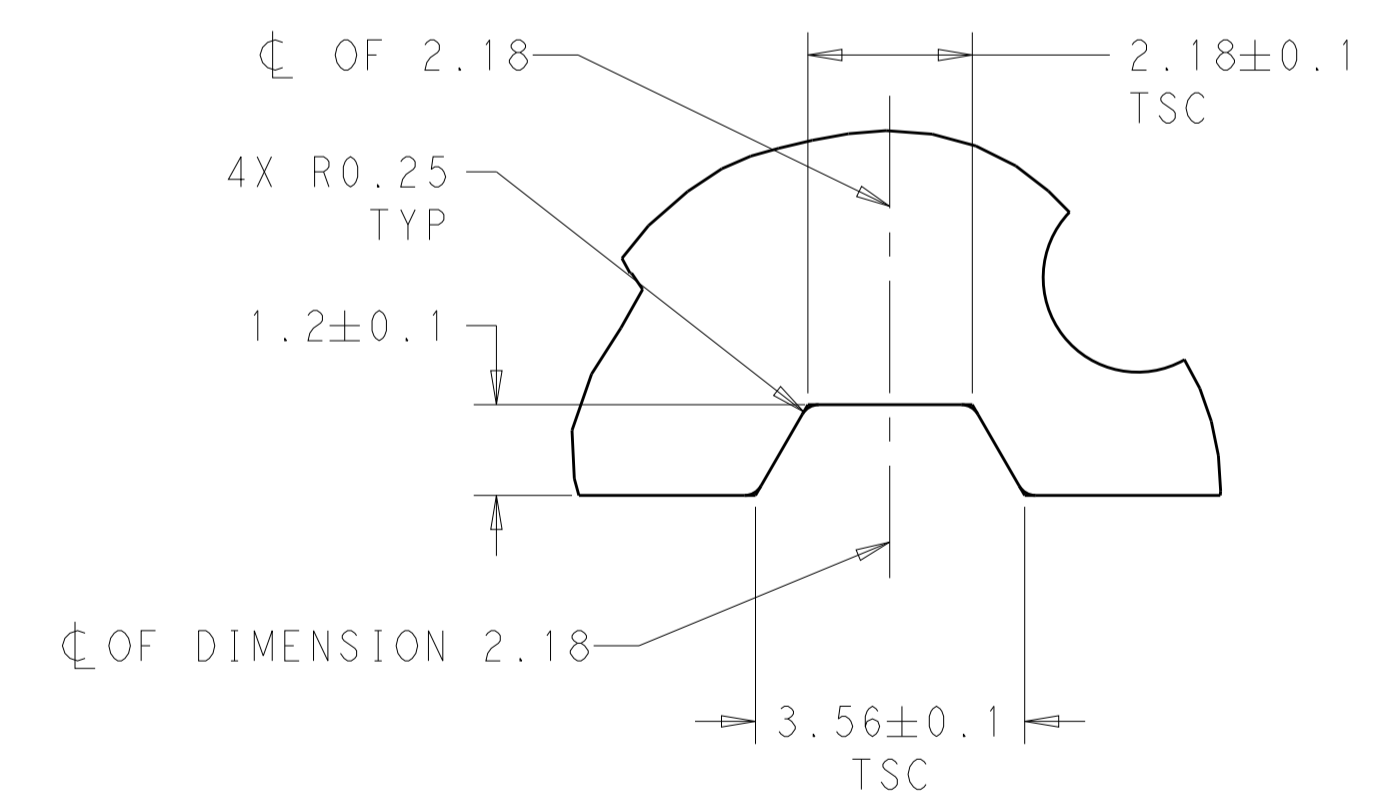
RECOMMENDED BEZEL CUT-OUT
SINGLE SIDED APPLICATIONS
SCALE 2:1



SINGLE SIDED MOUNTED ON PC BOARD
SHOWN THRU RECOMMENDED BEZEL
SECTION BEZEL-BEZEL
SCALE 4:1



RECOMMENDED BEZEL CUT-OUT
BELLY TO BELLY APPLICATIONS
SCALE 2:1

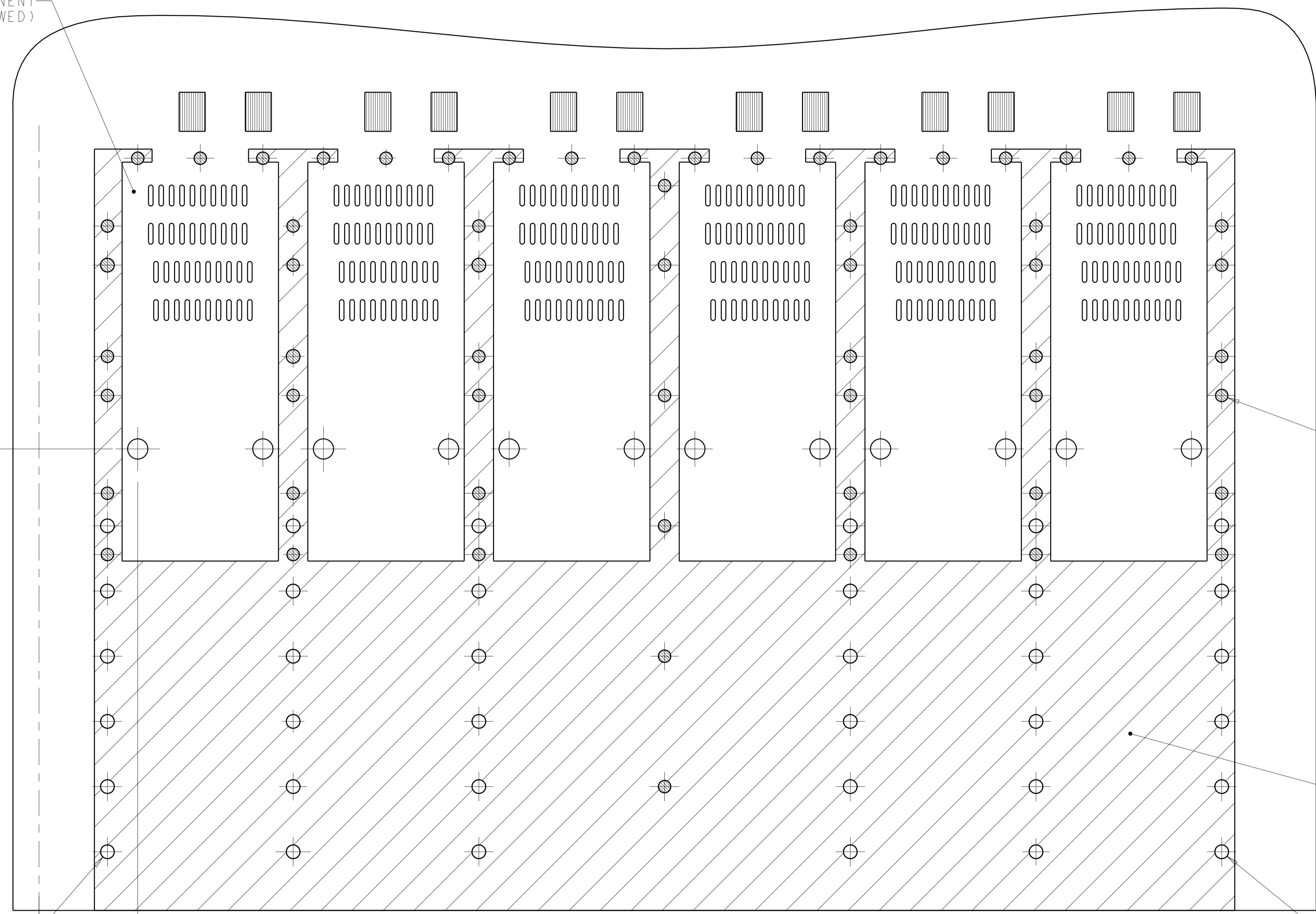


DETAIL B
SCALE 10:1

THIS DRAWING IS A CONTROLLED DOCUMENT.		OWN: ARTHUR JLN 04NOV2019	TE Connectivity
		CHK: SEAN HAN 04NOV2019	
DIMENSIONS:	TOLERANCES UNLESS OTHERWISE SPECIFIED:	APVD:	NAME:
mm	0 PLC ±0.25	PRODUCT SPEC	SFPDD 1X6 CAGE ASSEMBLY W/LP HS
	1 PLC ±0.25	108-60128	PRESS-FIT, EXTERNAL EMI SPRINGS
	2 PLC ±0.20	APPLICATION SPEC	
	3 PLC ±0.20	114-60027	SIZE: CAGE CODE DRAWING NO
	4 PLC ±	WEIGHT	A 00779 C=2364706
	ANGLES ±	CUSTOMER DRAWING	RESTRICTED TO
MATERIAL	FINISH	SCALE 1:1	SHEET 2 OF 5
			REV A

REVISIONS				
P.	LTN	DESCRIPTION	DATE	APVD
-	SEE SHEET 1			

THIS AREA DENOTES COMPONENT
KEEP-OUT (TRACES ALLOWED)



60X $\varnothing 0.95 \pm 0.05$ $\triangle 8$
PLATING REQUIRED
 $\oplus \varnothing 0.10 \text{M} | A | L - K | E$

HATCHED AREA DENOTES
COMPONENT AND TRACE KEEP-OUT
(EXCEPT CHASSIS GROUND)

35X $\varnothing 1.05 \pm 0.05$ $\triangle 8$
PLATING REQUIRED
 $\oplus \varnothing 0.10 \text{M} | A | L - K | E$

$\triangle 6$
BSC

BSC
 $\triangle 6$

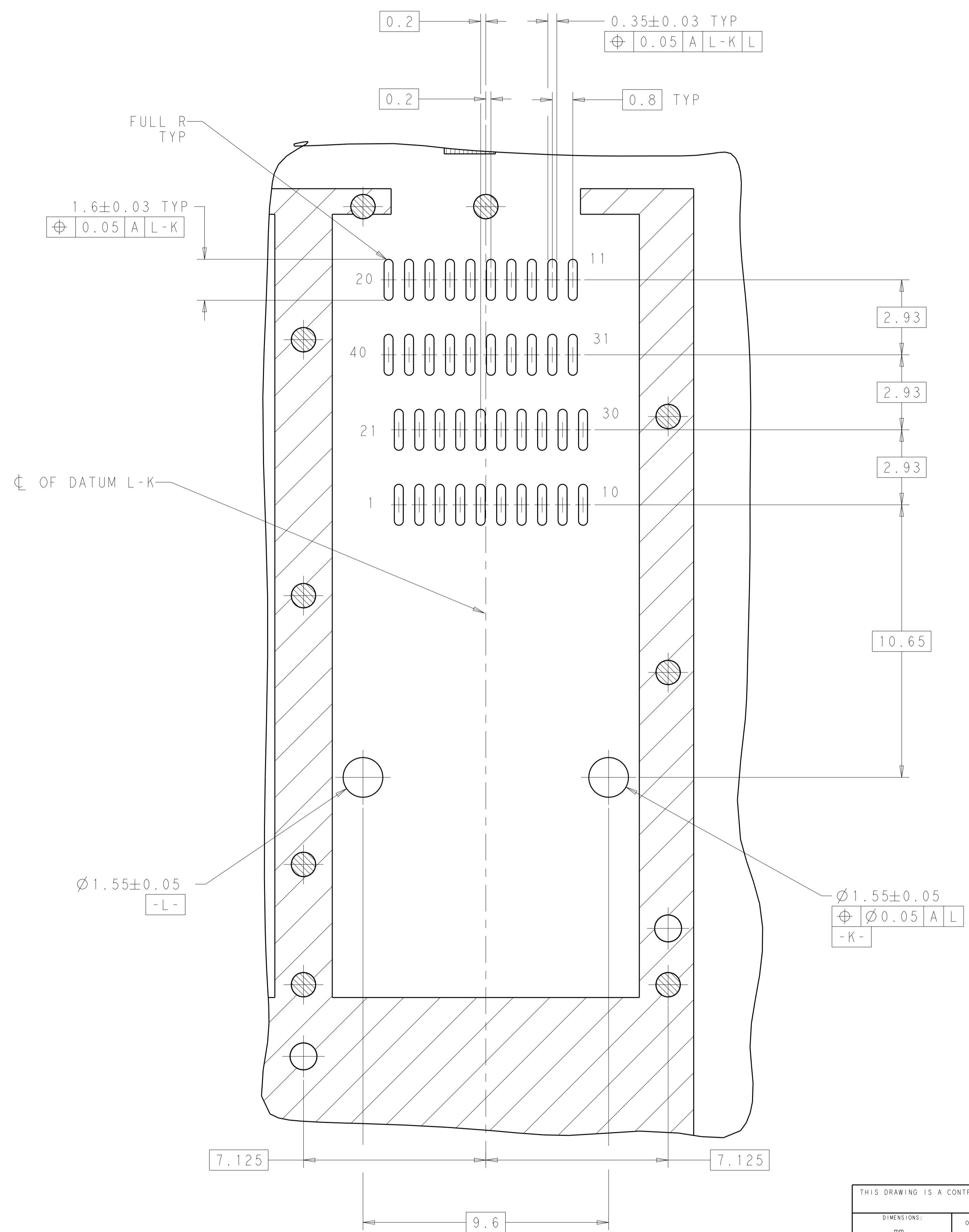
$\triangle \varnothing 1.05 \pm 0.05$
PLATING REQUIRED
 $\oplus \varnothing 0.10 \text{M} | A | L - K | E$
-E-

RECOMMENDED PCB CONFIGURATION WITH KEEP-OUTS FOR BELLY TO BELLY APPLICATIONS
SAME AS SINGLE SIDE APPLICATION, EXCEPT AS SHOWN
SCALE 5:1

THIS DRAWING IS A CONTROLLED DOCUMENT.		OWN: ARTHUR JIN 04NOV2019	TE Connectivity
		CHK: SEAN HAN 04NOV2019	
DIMENSIONS:	TOLERANCES UNLESS OTHERWISE SPECIFIED:	APVD:	NAME:
mm	0 PLC ± 0.25	PRODUCT SPEC:	SFPDD 1X6 CAGE ASSEMBLY W/LP HS
	1 PLC ± 0.25	108-60128	PRESS-FIT, EXTERNAL EMI SPRINGS
	2 PLC ± 0.20	APPLICATION SPEC:	
	3 PLC ± 0.20	114-60027	SIZE: CAGE CODE: DRAWING NO:
	4 PLC ± 0.20	WEIGHT:	A 00779 C=2364706
	ANGLES \pm	CUSTOMER DRAWING	RESTRICTED TO:
MATERIAL:	FINISH:	SCALE: 1:1	SHEET 4 OF 5

REVISIONS				
P.	LTN	DESCRIPTION	DATE	APVD
-	-	SEE SHEET 1	-	-

- A -



DETAIL C
SCALE 10:1

THIS DRAWING IS A CONTROLLED DOCUMENT.		DWN: ARTHUR JLN 04NOV2019 CHK: SEAN HAN 04NOV2019 APVD:	TE Connectivity
DIMENSIONS: mm	TOLERANCES UNLESS OTHERWISE SPECIFIED: 0 PLC ±0.25 1 PLC ±0.25 2 PLC ±0.20 3 PLC ±0.20 4 PLC ±0.20 ANGLES ±	PRODUCT SPEC: 108-60128 APPLICATION SPEC: 114-60027	
MATERIAL:	FINISH:	WEIGHT:	CUSTOMER DRAWING SCALE: 1:1 SHEET 5 OF 5 REV A