

NOTES :

1. MATERIAL :

HOUSING : HIGH TEMPERATURE NYLON ,GLASS FIBER,UL94-V0 , COLOR: BLACK
 TERMINAL : PHOSPHOR BRONZE(PhBr), C5100 EH, PER ES-124-E108
 METAL SHELL : COPPER ALLOY

2. PLATING :

TERMINAL :

CONTACT AREA : (a) GOLD FLASH.

(b) GLOD (Au), THICKNESS = 30 MICROINCH/0.76 MICROMETER

SOLDER TAIL : TIN,

THICKNESS=50-100 MICROINCH/1.27-2.54 MICROMETER

UNDER PLATE : NICKEL (Ni), THICKNESS= 50 MICROINCH/1.27 MICROMETER

METAL SHELL : TIN,

THICKNESS=50-100 MICROINCH/1.27-2.54 MICROMETER

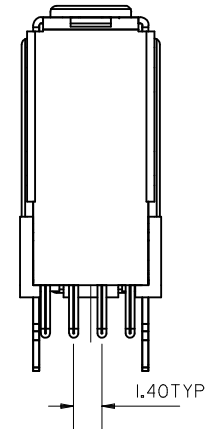
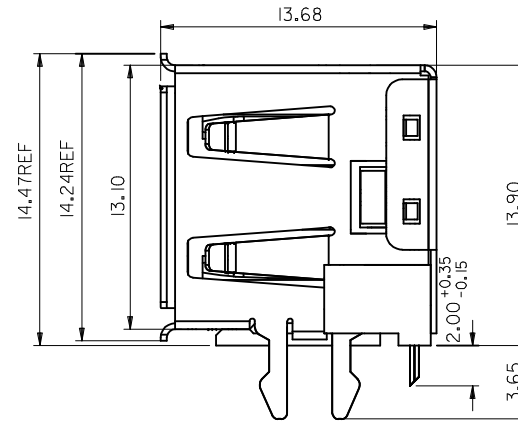
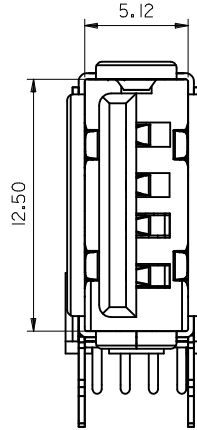
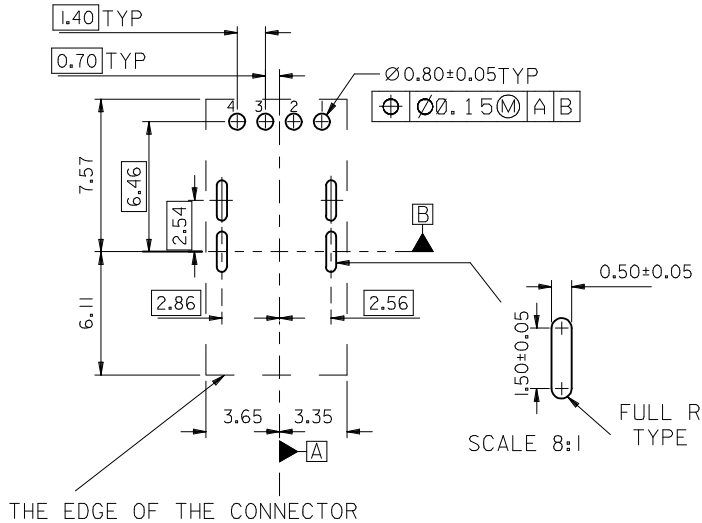
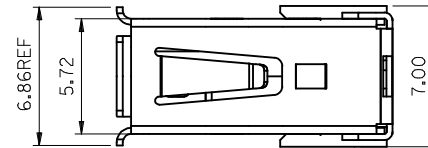
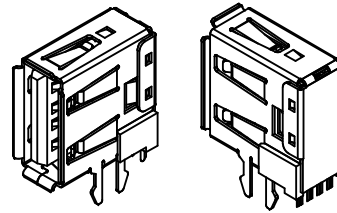
UNDER PLATE : NICKEL (Ni), THICKNESS= 50 MICROINCH/1.27 MICROMETER

SURFACE APPEARANCE : BRIGHT

3 RECOMMENDED PCB THICKNESS : 1.60±0.05 mm.

4 PRODUCT SPECIFICATION : REFER TO PS-89485

5 PACKAGING SPECIFICATION : REFER TO PK-67329-001



PART NUMBER LEGEND:

P/N	CONTACT PLATING
67329-8020	GOLD FLASH
67329-8021	0.76 MICROMETER/30 MICROINCH GOLD

NEW RELEASE EC NO: 2005/12/09 DRWN:HPQ:IAN CHKD:HARVEY APPR:HWANG 2006/01/10 2006/01/10	QUALITY SYMBOLS	GENERAL TOLERANCES (UNLESS SPECIFIED)	DIMENSION STYLE	SCALE	DESIGN UNITS	THIRD ANGLE PROJECTION
	▼=0 C=0	mm INCH 4 PLACES ± --- ± --- 3 PLACES ± --- ± --- 2 PLACES ± 0.25 ± --- 1 PLACE ± 0.25 ± --- ANGULAR ± 3 °	MM ONLY	4:1	METRIC	
	DESCRIPTION	DRAFT WHERE APPLICABLE MUST REMAIN WITHIN DIMENSIONS	DRAWN BY: QIANHUIPING CHECKED BY: HARVEY APPROVED BY: GARY DATE: 2005/12/09 DATE: 2005/12/09 DATE: 2005/12/09	TITLE	USB UPRIGHT CONNECTOR FLANG OUT TYPE WITH FORK LOCK LEAD FREE	
	MATERIAL NO. SEE CHART	DOCUMENT NO. SD-67329-802	MOLEX INCORPORATED		SHEET NO.	1 OF 1