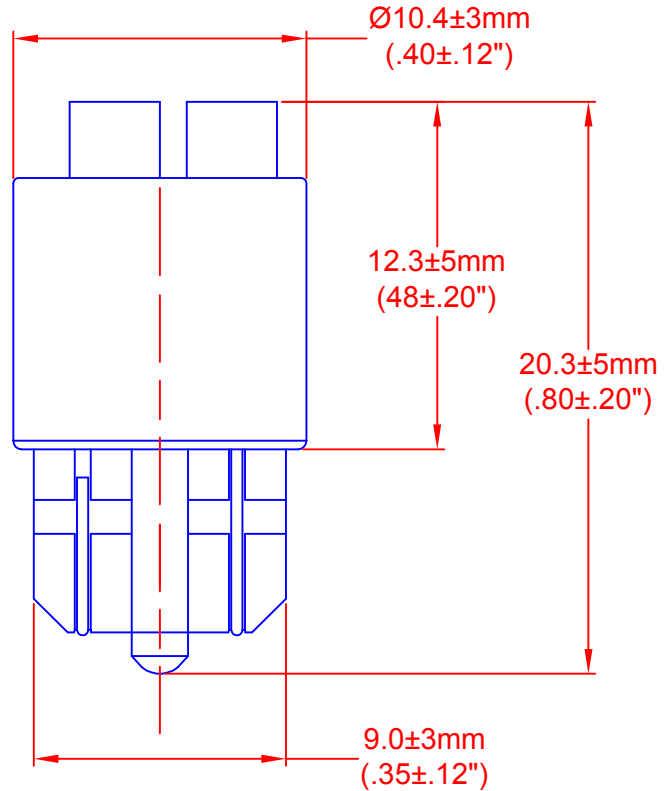
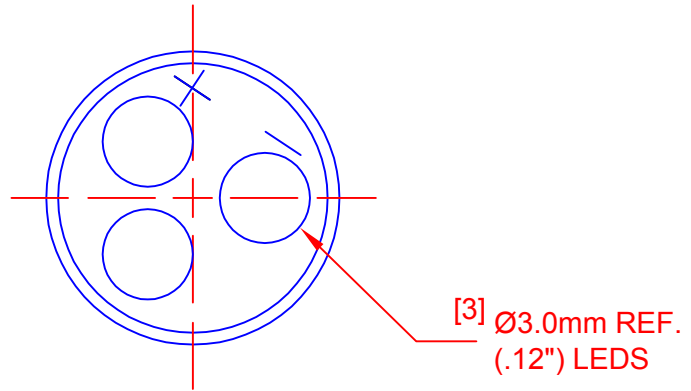


**FEATURES:**

12V AC/DC OPERATION

WIDE VIEWING ANGLE (120°).



**TYPICAL ELECTRICAL & OPTICAL OPERATING CHARACTERISTICS**

(Ta = 25 degree C)

PART NUMBER	EMITTING COLOR	AMPERAGE mA	VOLTAGE Vdc	LUMINOUS INTENSITY Lm	CRI %	CCT DEGREE K	VIEWING ANGLE DEGREES
LE-0903-02W	WHITE	15	12.0	22	79	6800	120

JKL PART NO.: LE-0903-02W

				DIMENSIONS ARE IN MILLIMETERS (INCH) TOLERANCE UNLESS OTHERWISE SPECIFIED 1 PL +/- REF. 2 PL +/- REF. ANGLE +/-		<b>JKL COMPONENTS CORPORATION</b>							
				THIRD ANGLE PROJECTION		TITLE T-3 1/4 12V NON-POLARIZED LOW PROFILE WEDGE BASE LAMP							
B	CHNG. TITLE AND FEATURES	2/2/15		DRAWN BY L. WENGSTROM		APPV'D BY L.R.		DATE 2/2/15		SIZE <b>A</b>	FSCM NO. <b>55335</b>	DRAWING NO. LE-0903-02W	
A	CHNG. TITLE AND ADD NOTE	4/24/13		- CAD DRAWING -		MANUAL REVISIONS NOT PERMITTED		SCALE <b>NONE</b>	RELEASED DATE 12/1/09	REVISION DATE 2/2/15	REV. NO. <b>B</b>	SHEET 1 OF 1	
REV. NO.	DESCRIPTION/ECO	APPV'D DATE											