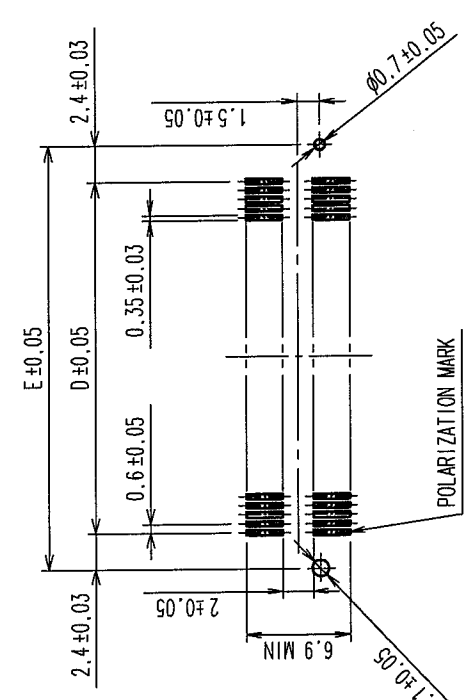


COUNT	DESCRIPTION OF REVISIONS	BY	CHKD	DATE	COUNT	DESCRIPTION OF REVISIONS	BY	CHKD	DATE
3	RE-F-09671	K.N	H.Y	04.04.08					

RECOMMENDED LAND PATTERN DIMENSION OF P.C.B. (MOUNTING SIDE)



DIMENSION TABLE OF CONNECTOR AND P.C.B. LAND PATTERN.

PART No.	CODE No.	A	B	C	D	E
FX8C-60P-SV1(92)	CL578-0521-6-92	60	24.60	23.00	20.70	17.40
FX8C-80P-SV1(92)	CL578-0523-1-92	80	30.60	29.00	26.70	23.40
FX8C-100P-SV1(92)	CL578-0525-7-92	100	36.60	35.00	32.70	29.40
FX8C-120P-SV1(92)	CL578-0526-0-92	120	42.60	41.00	38.70	35.40
FX8C-140P-SV1(92)	CL578-0527-2-92	140	48.60	47.00	44.70	41.40

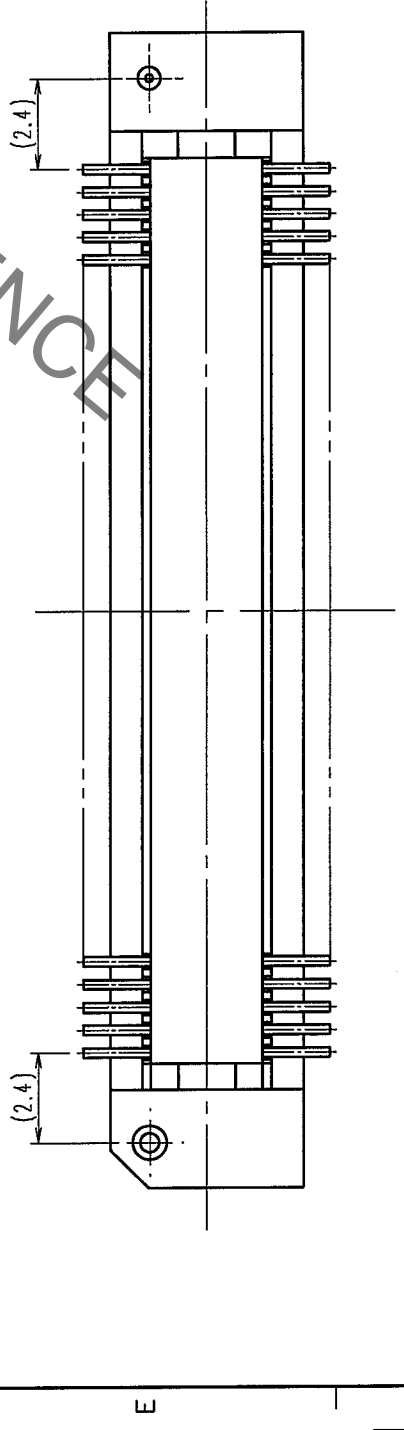
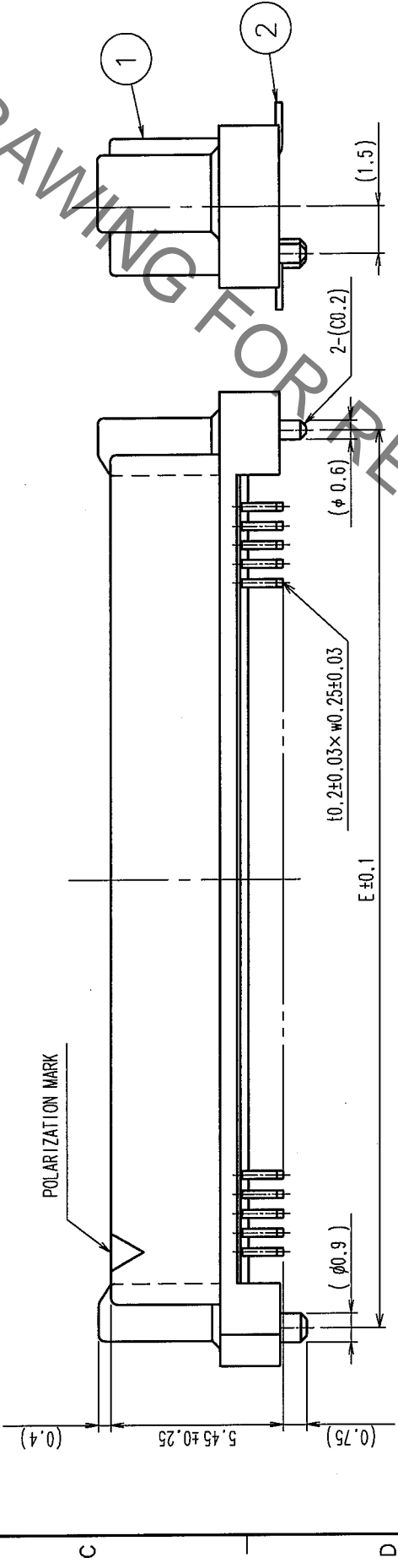
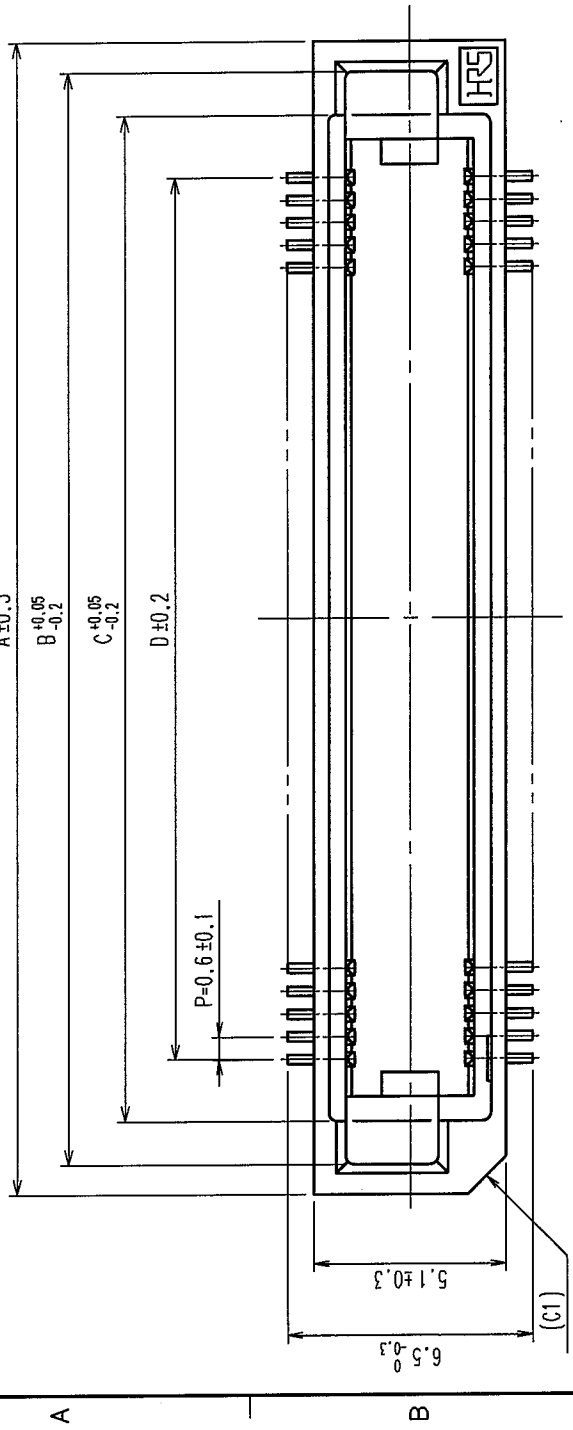
- NOTE 1. LEAD CO-PLANARITY SHALL BE 0.1mm MAX.
 2. EMBOSSED CARRIER TAPE PACKAGING SHALL BE APPLIED FOR THIS PRODUCT.
 SEE NEXT PAGE FOR DETAILS.
 3. FOR MODIFICATION, ETC., PREVENTIVE HOLE FOR SINK MARK MAY BE ADDED ACCORDING TO CIRCUMSTANCES.
 4. THE DIMENSIONS IN PARENTHESES ARE FOR REFERENCE.
 ⑤ NUMBER OF CONTACTS.

NO.	MATERIAL	FINISH, REMARKS	NO.	MATERIAL	FINISH, REMARKS
1	PPS	LIGHT BROWN (UL94V-0)	2	PHOSPHOR BRONZE	
CONTACT AREA: GOLD 0.1μm min		LEAD AREA: TIN-PLATING 1μm min		UNDER PLATING: NICKEL 1μm min	

NO.	MATERIAL	FINISH, REMARKS	NO.	MATERIAL	FINISH, REMARKS
CL	CL				

SCALE	DRAWING NO.	PART NO.	DESIGNED	CHECKED	APPROVED	RELEASED
FREE	EDC3-151087-22	FX8C-**P-SV1(92)	K.NAKAMURA	H.OKAWA	Y.YOSHIMURA	
UNITS			S.SUZUKI			
			03.02.03	03.02.12	03.02.14	03.02.15

TO	PCK	DATE

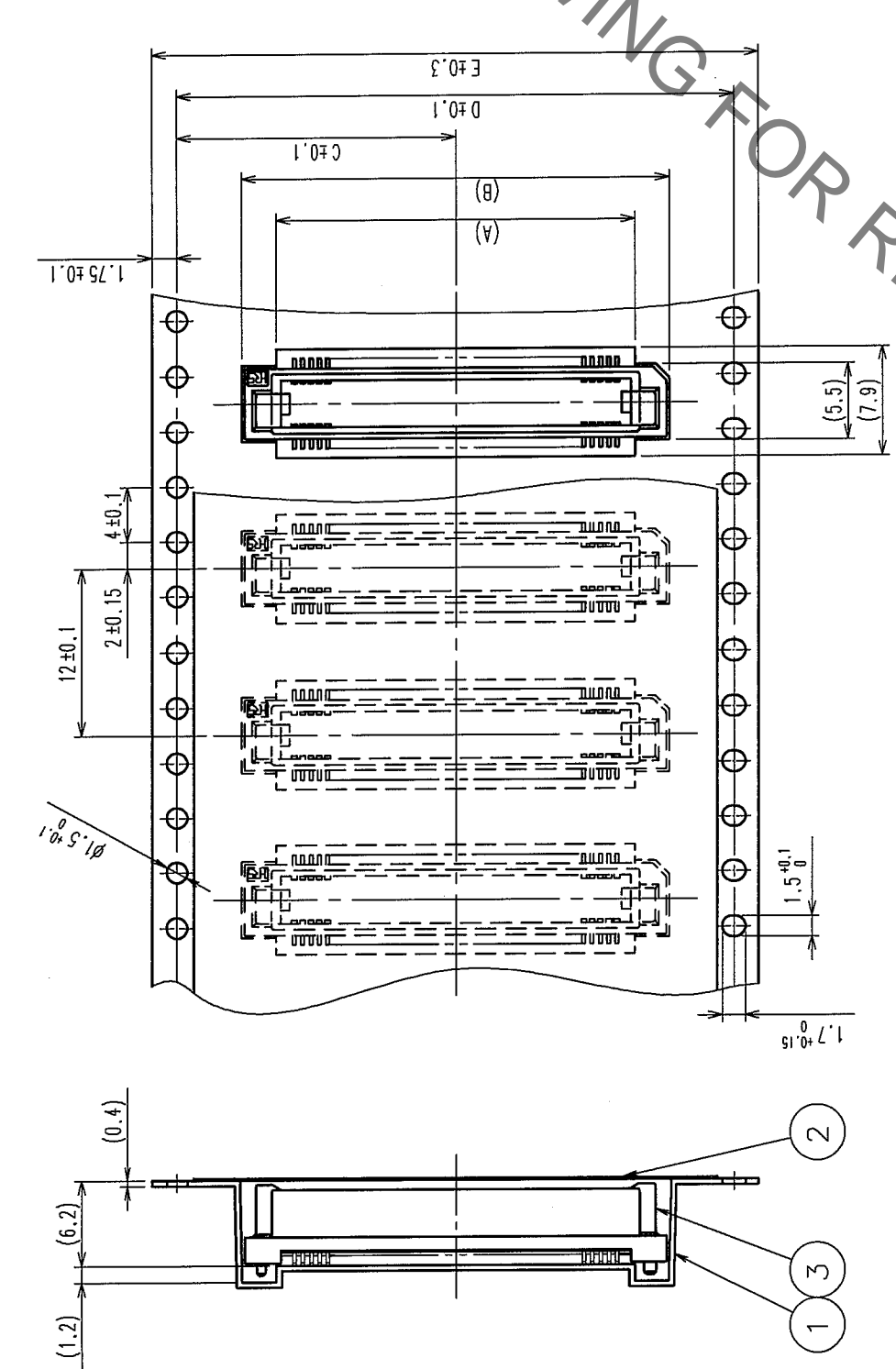


TO
PCK

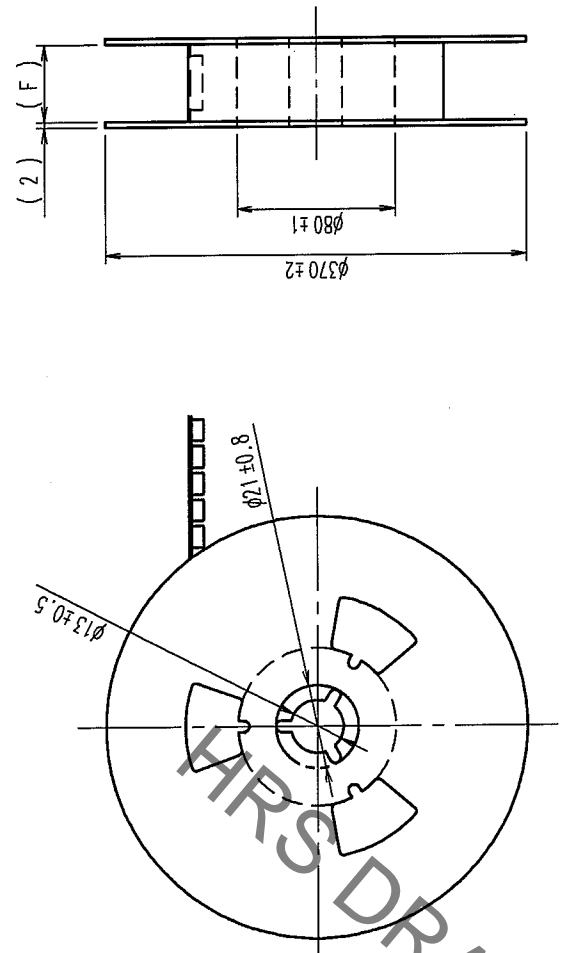
May.1.2023 Copyright 2023 HIROSE ELECTRIC CO., LTD. All Rights Reserved.
 2 In case of consideration for using Automotive equipment / device which demand high reliability, kindly contact our sales window correspondents.

COUNT	DESCRIPTION OF REVISIONS	BY	CHKD	DATE	COUNT	DESCRIPTION OF REVISIONS	BY	CHKD	DATE
△					△				
△					△				
△					△				

UNREELING DIRECTION



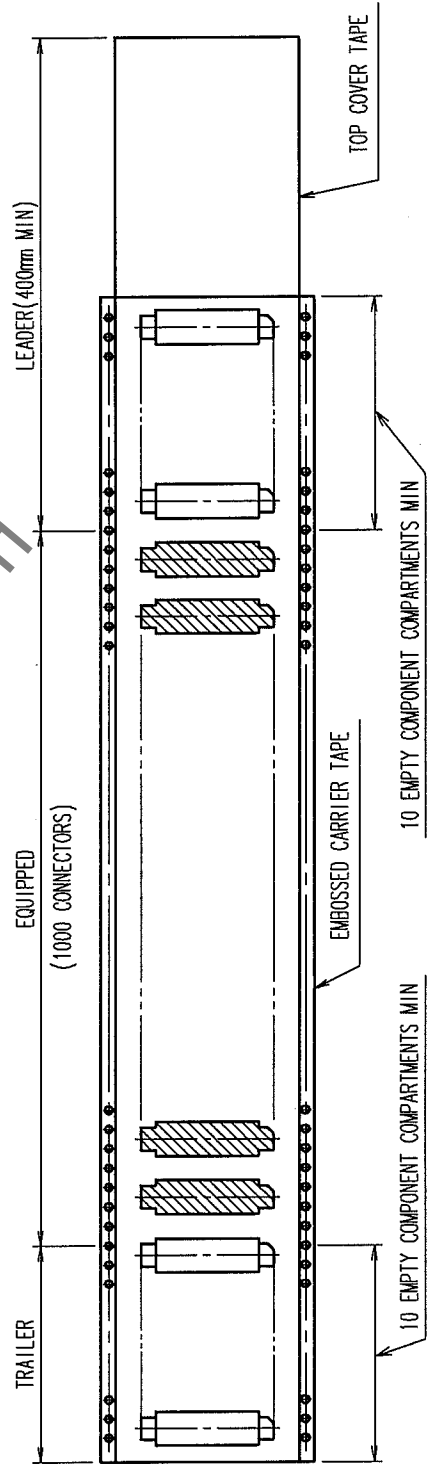
REEL DIMENSION



△ DIMENSION TABLE OF EMBOSSED CARRIER TAPE AND REEL.

PART No.	CODE No.	2	A	B	C	D	E	F
FX8C-60P-SV1(92)	CL578-0521-6-92	60	20	25	20.2	40.4	44	44.4
FX8C-80P-SV1(92)	CL578-0523-1-92	80	26	31	20.2	40.4	44	44.4
FX8C-100P-SV1(92)	CL578-0525-7-92	100	32	37	26.2	52.4	56	56.4
FX8C-120P-SV1(92)	CL578-0526-0-92	120	38	43	26.2	52.4	56	56.4
FX8C-140P-SV1(92)	CL578-0527-2-92	140	44	49	34.2	68.4	72	72.4

NOTE 1 1 REEL : 1000 CONNECTORS
 2 NUMBER OF CONTACTS



2	POLYESTER	(TOP COVER TAPE)	3	(CONNECTOR)					
1	PS	(EMBOSSED CARRIER TAPE)	3	(CONNECTOR)					
NO.	MATERIAL	FINISH, REMARKS	NO.	MATERIAL	FINISH, REMARKS				
CL	CL								
DRAWN		S. SUZUKI	DESIGNED	K. NAKAMURA	CHECKED	H. OKAWA	APPROVED	Y. YOSHIMURA	RELEASED
SCALE		FREE	PART NO.		FX8C-**-P-SV1(92)				
UNITS		MM	DRAWING NO.		EDC3-151087-22				
			CODE NO.		CL578				

TO
 PCK