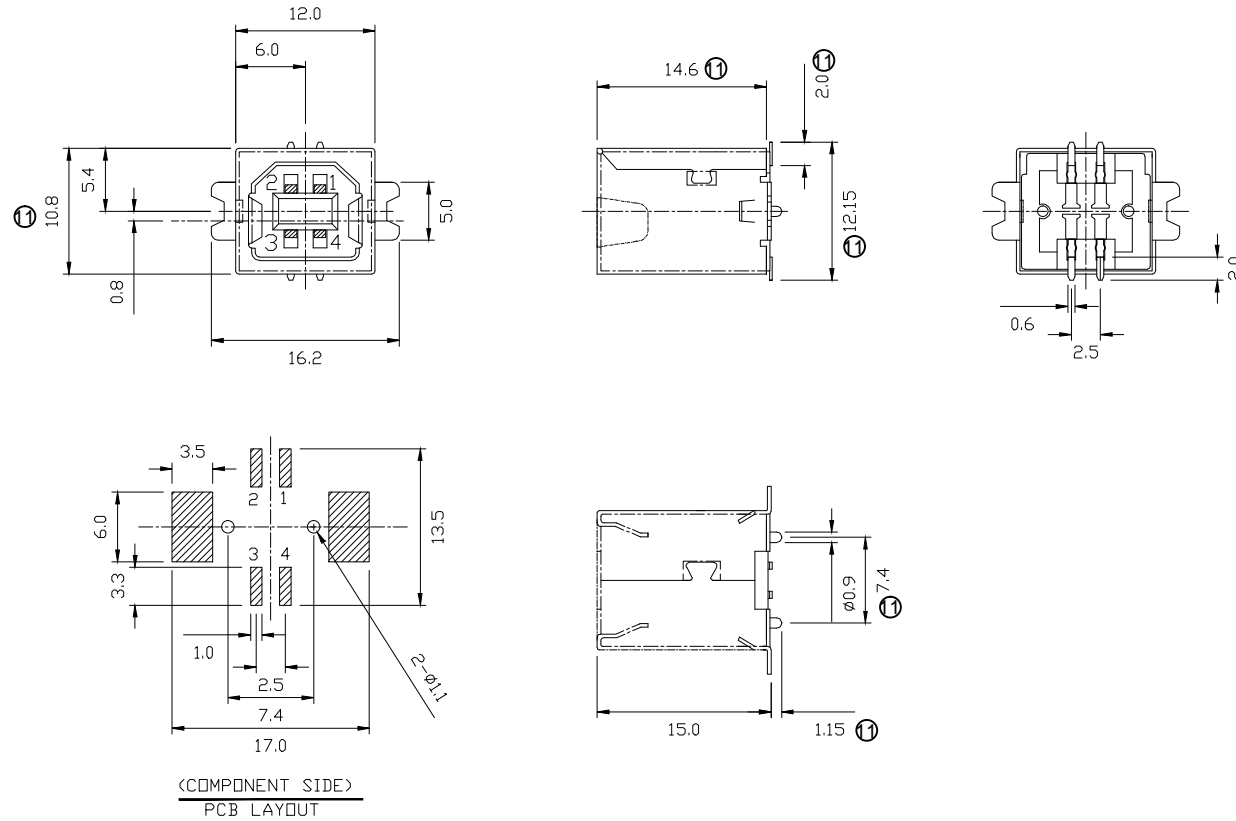


⑥ **USB 2.0 COMPLIANT**



① **NOTES:**

1. Material:
 - 1.1 Housing: PA9T+GF UL94V-0, Color Black
 - 1.2 Shell: Brass Ni plated
 - 1.3 Contact :Phosphor Bronze
2. FINISH:
 - 2.1 Contact Area: Gold Flash
 - Solder Area: Tin Plated
 - Under: Ni Plated
3. MECHANICAL:
 - 3.1 Mating Force: 35N Max.
 - 3.2 Unmating Force: 10N Min
 - 3.3 Durability: 1500 cycles Min
4. ELECTRICAL:
 - 4.1 Dielectric Strength: 750V AC AT SEA LEVEL
 - 4.2 Contact Resistance: 30mΩ Max
 - 4.3 Insulation Resistance: 1000 MΩ Min
5. PACKING: Tray . 100 pcs/Tray; 1600pcs/carton.

⑨①

RoHS compliant
Unit:mm

Scale	Free	①	Change the specification	01.07.2022	Luca		Date	Name	Description:
TOLERANCE		⑩	Update packing	15.01.2021	Luca	Drawn	20.11.2007	N.Schulz	USB Connector Female/ B type/ 4Pin/ SMT/ 180°
X.X	±0.38	⑨	Update general tolerance	17.11.2020	Luca	Approved	01.07.2022	Luca	ASSMANN WSW-No. A-USB B/SMT-TOP
X.XX	±0.25	⑧	Add soldering temperature& page 2	08.03.2016	Winnie				Drawing-No.
X.XXX	±0.10	⑦	Add co-planarity	06.12.2014	Winnie				ASS 2413 CO
DIM	TOL	⑥	Add USB 2.0 compliant	27.08.2013	Winnie				rev11
X.°	±3°	Id.	Modification	Date	Name			Customer-No.	Sheet
X.X°	±1°								1/1
Angle	TOL								

