



### Electrical specifications

**Center Frequency:** 1542 MHz

**Bandwidth:** 34 MHz

**VSWR:** 1.7 : 1

**Insertion Loss (1525~1559MHz) PB1:** 1.3 dB max

**Insertion Loss (1559~1577MHz) PB2:** 2.0 dB max

**Input / Output Impedance:** 50 Ohms

**Rejection:** 22 dB min. @ 1460 MHz

**Rejection 2:** 8 dB min. @ 1590 MHz

**Rejection 3:** 25 dB min. @ 1625 MHz

**Rejection 4:** 40.0 dB min. @ 1710 MHz

**Power Handling:** 1 watt max

### Mechanical

**Mounting Method:** SMT

**Dimensions:** 33.6 x 7.85 x 6.68 mm

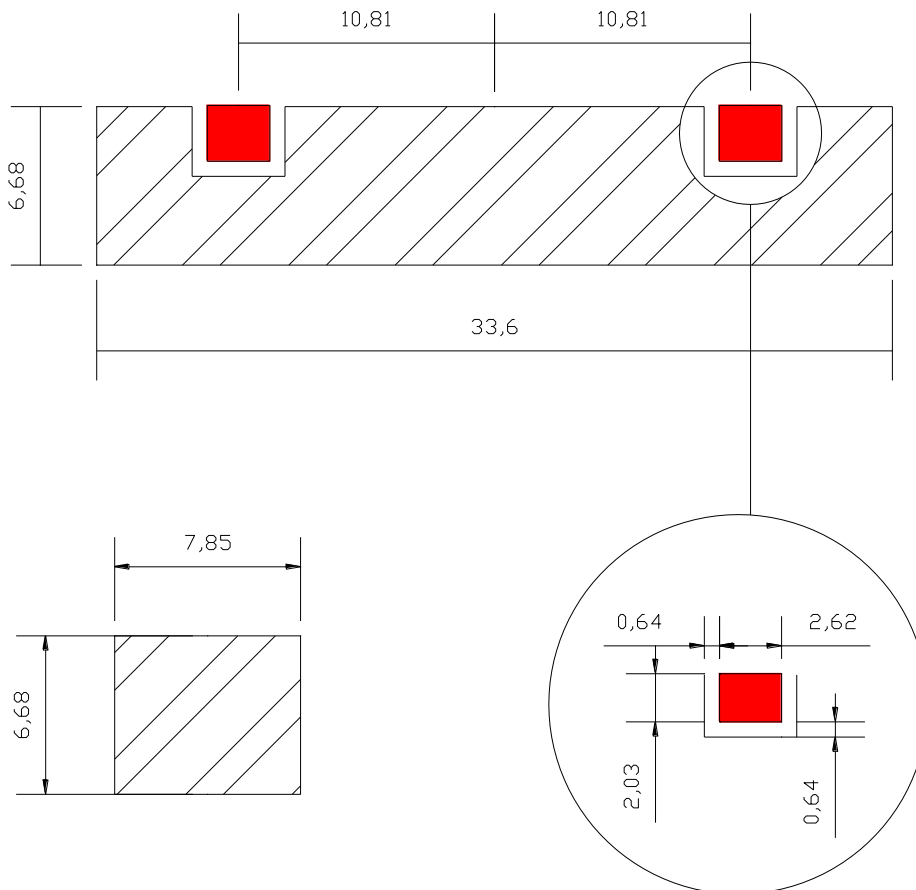
### Environmental

**Operating Temperature:** -40 C to 70 C

**Storage Temperature:** -55 C to +85 C

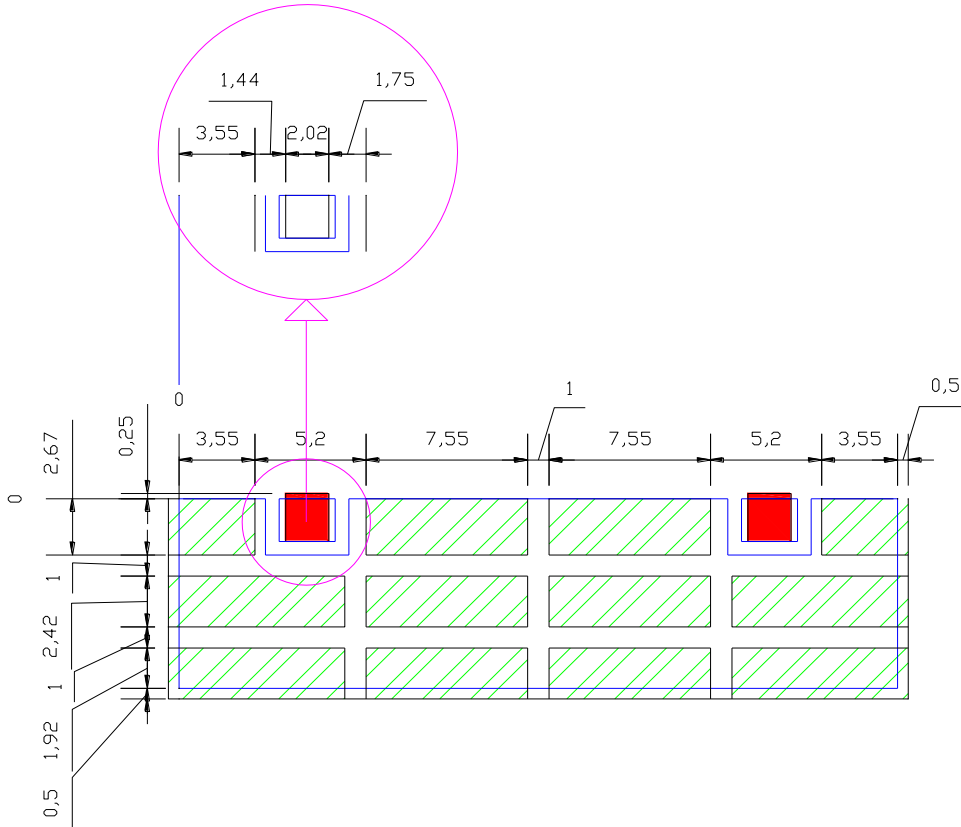
**This product is RoHs compliant.**

### Outline Drawing:





### PCB Layout:



-   : Exposed Conductor
-  : Non Solder Metal



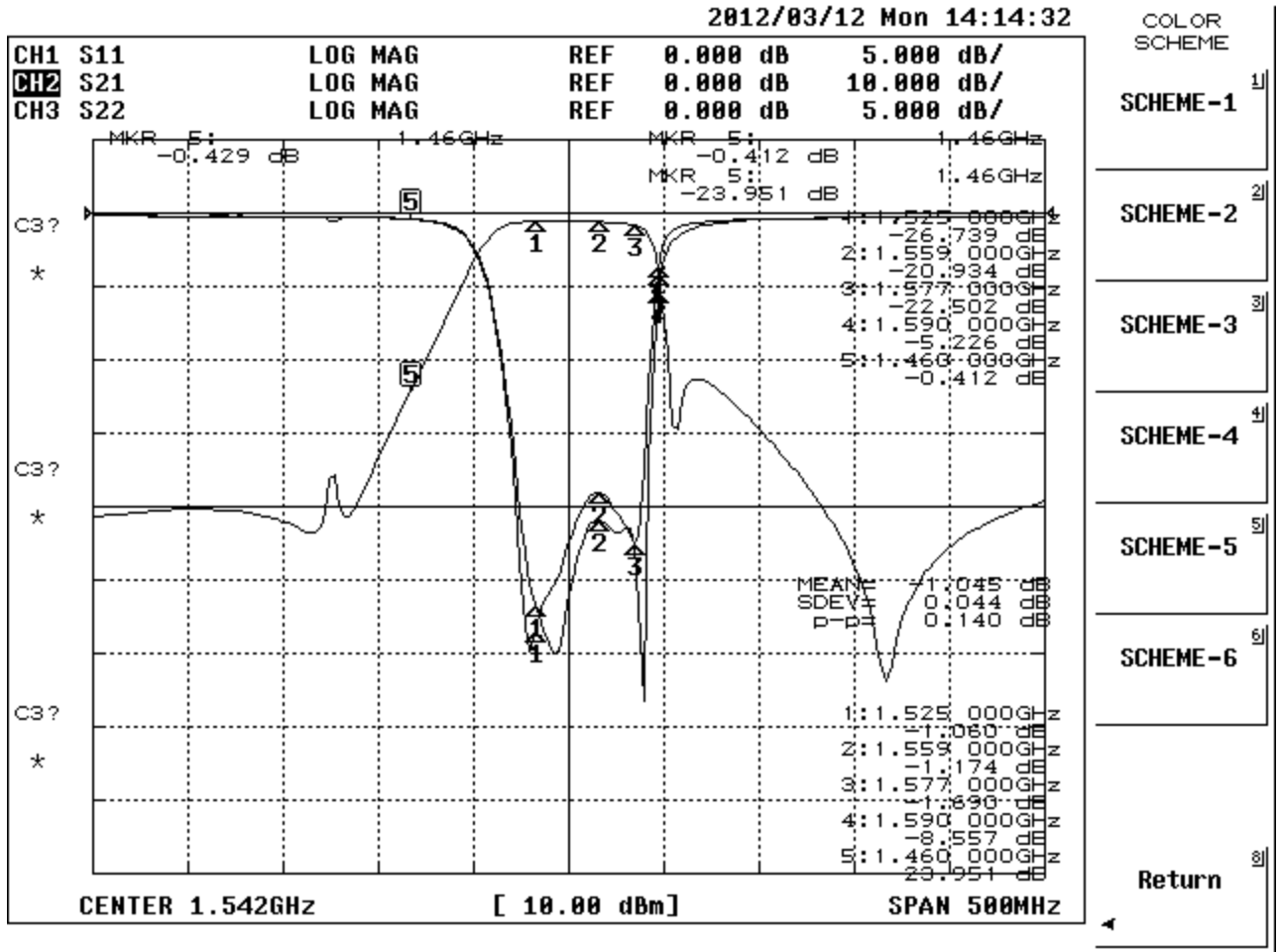
# 1542 MHz Ceramic Bandpass Filter

## Part Number: AM1542B1548



**ANATECH ELECTRONICS INC**  
RF & Microwave Filters & Products

### Response Plots:





# 1542 MHz Ceramic Bandpass Filter

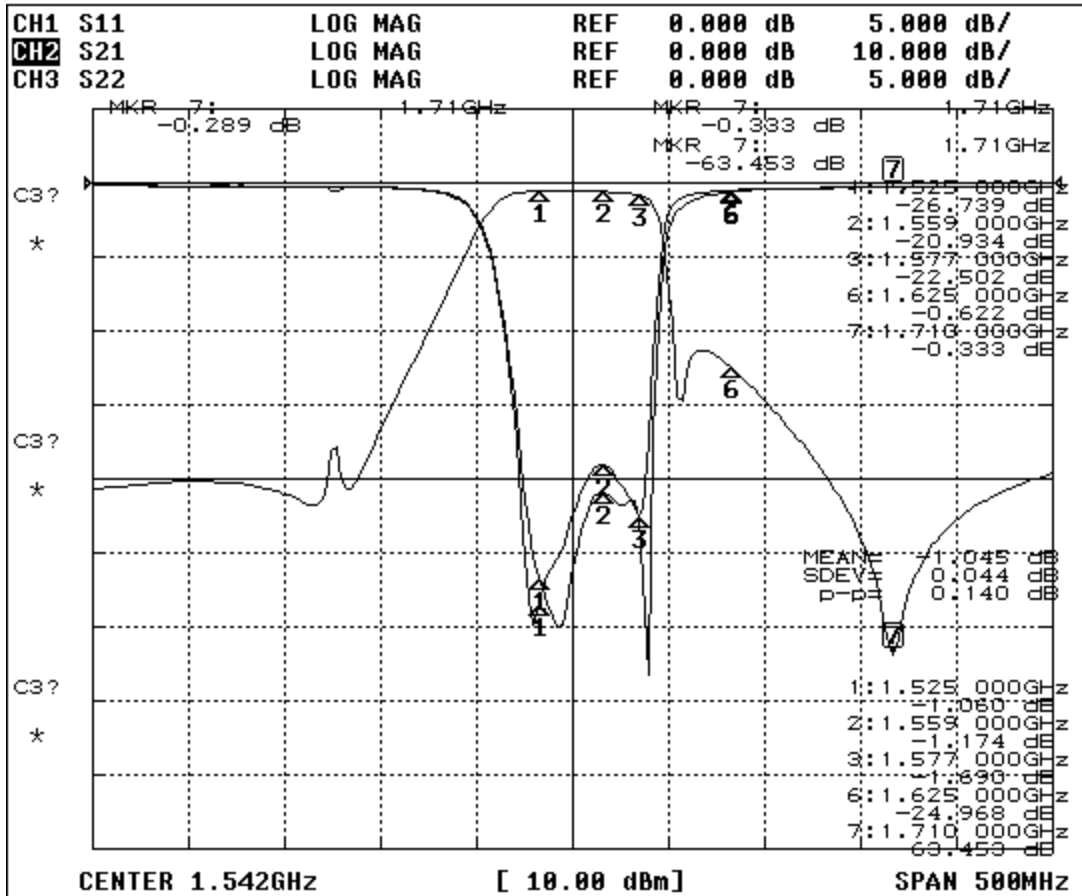
## Part Number: AM1542B1548



**ANATECH ELECTRONICS INC**  
RF & Microwave Filters & Products

### Response Plots:

2012/03/12 Mon 14:14:52



DISPLAY

DUAL CH  ON  OFF

SPLIT CH  ON  OFF

DISPLAY

DEFINE TRACE

DATA MEMORY

CONVERSION

UNIT

More 1/2