

## Griffblech mit Schraubadapter Han 16 B

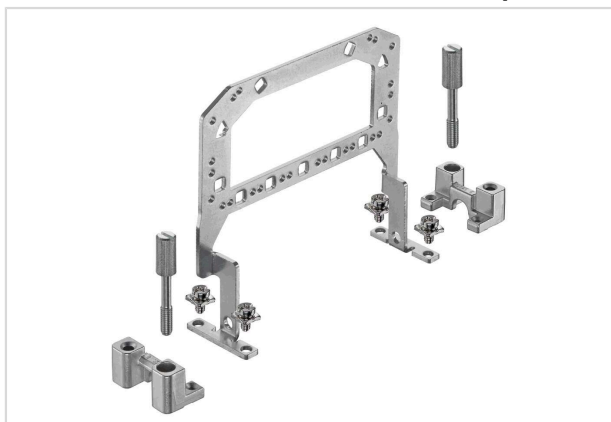


Image is for illustration purposes only. Please refer to product description.

Part number	09 00 016 5612
Specification	Griffblech mit Schraubadapter Han 16 B
HARTING eCatalogue	<a href="https://b2b.harting.com/09000165612">https://b2b.harting.com/09000165612</a>

### Identification

Category	Accessories
Type of accessory	Grip frame
Description of the accessory	With screw adapter and screw to use in connection with 09 00 000 5602

### Version

Size	16 B
------	------

### Material properties

Material (accessories)	Metal
Surface (accessories)	Zinc plated
RoHS	compliant
ELV status	compliant
China RoHS	e
REACH Annex XVII substances	Not contained
REACH ANNEX XIV substances	Not contained
REACH SVHC substances	Not contained
California Proposition 65 substances	Yes
California Proposition 65 substances	Nickel

### Commercial data

Packaging size	1
Net weight	131.5 g
Country of origin	Germany



**Pushing Performance**  
Since 1945

## Commercial data

European customs tariff number	85389099
GTIN	5713140002876
eCl@ss	27440392 Connector (accessories)

---