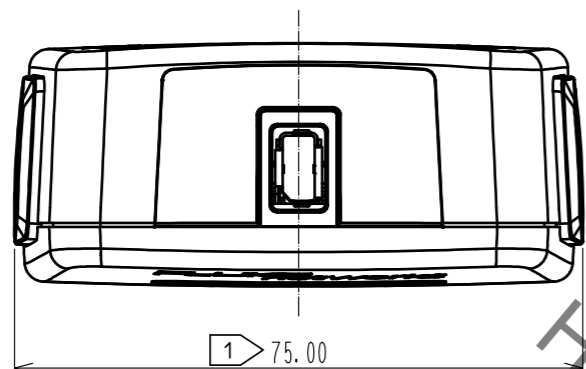
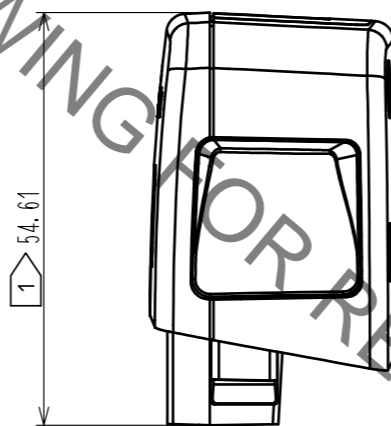
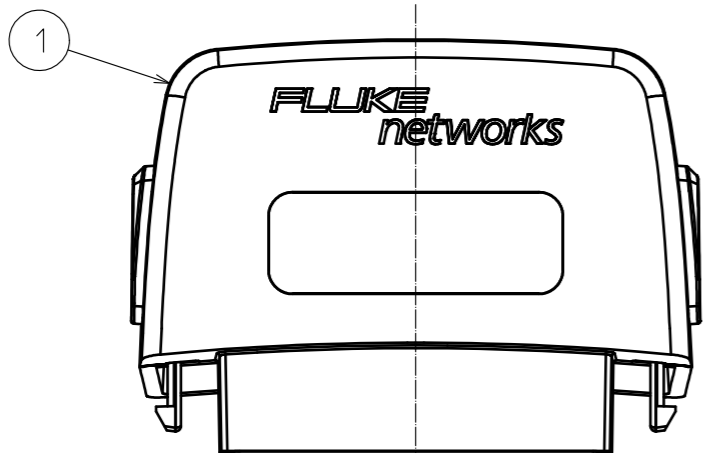


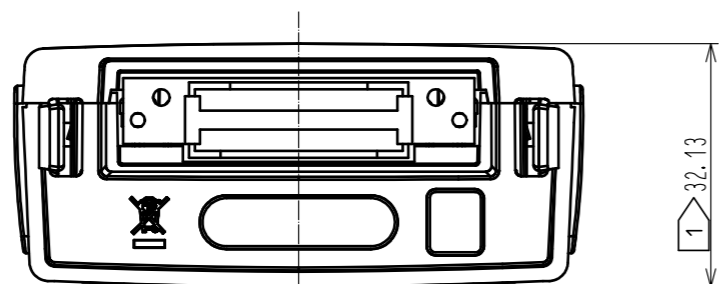
May.1.2023 Copyright 2023 HIROSE ELECTRIC CO., LTD. All Rights Reserved.
 In case of consideration for using Automotive equipment / device which demand high reliability, kindly contact our sales window correspondents.



① 75.00



① 54.61



① 32.13

HRS DRAWING FOR REFERENCE

- ① Dimensions are guaranteed by Fluke Networks, and are reference values.
- 2. Fluke Networks will guarantee and maintain the product functions of this product.
- 3. Please contact Fluke Networks for inquiries regarding this product.

1	Adapter						
NO.	MATERIAL	FINISH . REMARKS	NO.	MATERIAL	FINISH . REMARKS		
UNITS mm		SCALE 1 : 1		DESCRIPTION OF REVISIONS		DESIGNED	CHECKED
HRS HIROSE ELECTRIC CO., LTD.		APPROVED : MN. KENJO	20190515	DRAWING NO.		EDC-388328-00-00	
		CHECKED : KI. NAGANUMA	20190515	PART NO.		DSX-CHA-5-IX-S	
		DESIGNED : JY. IGA	20190515	CODE NO.		CL251-1001-0-00	
		DRAWN : JY. IGA	20190515			1/1	