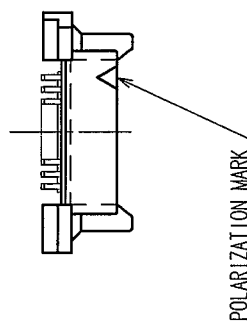
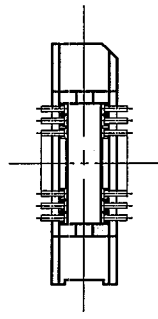
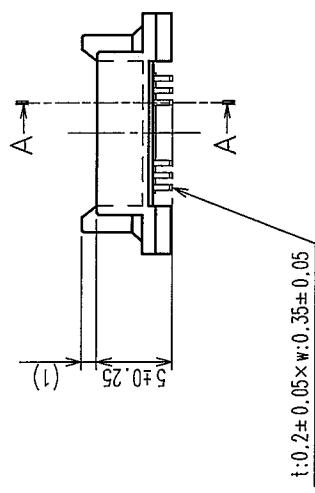
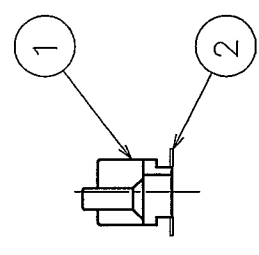
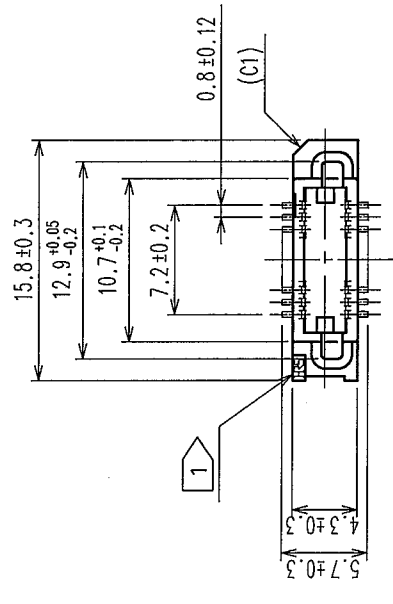
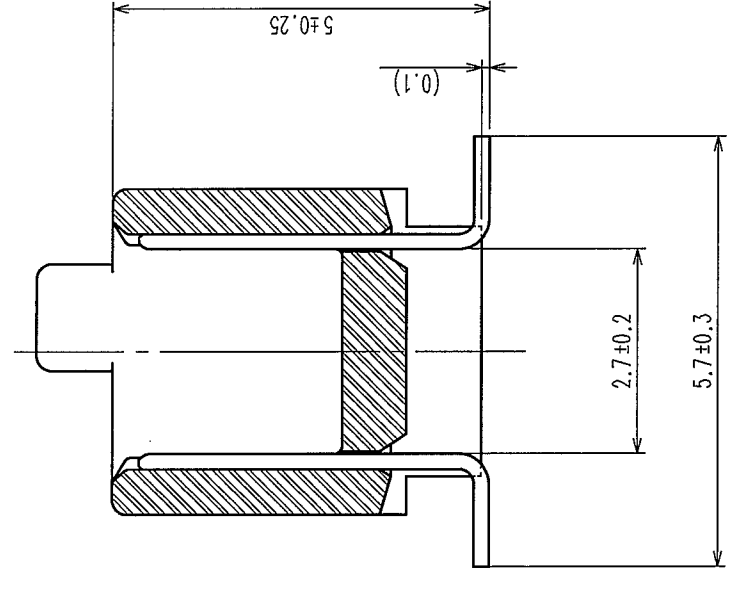


COUNT	DESCRIPTION OF REVISIONS	BY	CHKD	DATE	COUNT	DESCRIPTION OF REVISIONS	BY	CHKD	DATE
△					△				
△					△				
△					△				



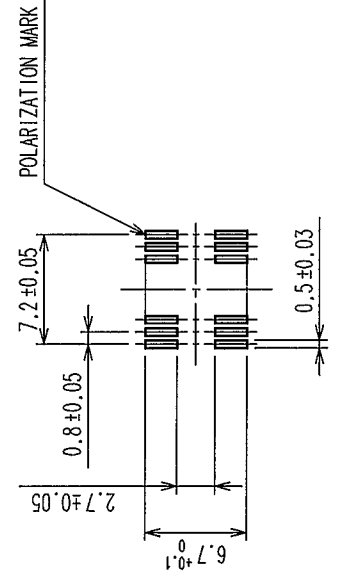
A-A (10:1)



HRS DRAWING FOR REFERENCE

- NOTE
- 1 HRS MARK SHALL BE OPTIONAL.
 - 2 LEAD CO-PLANARITY SHALL BE 0.1mm MAX.
 - 3 THE DIMENSIONS IN PARENTHESES ARE FOR REFERENCE.
 - 4 EMBOSSED CARRIER TAPE PACKAGING SHALL BE APPLIED FOR THIS PRODUCT.
 - 5 THIS PRODUCT HAS TAPE FOR VACUUM PICKUP.
SEE NEXT PAGE FOR DETAIL OF STICKING POSITION, ETC.
 - 6 FOR MODIFICATION, ETC, PREVENTIVE HOLE FOR SINK MARK MAY BE ADDED ACCORDING TO CIRCUMSTANCES.

RECOMMENDED P.C.B. LAND PATTERN(MOUNT SIDE)

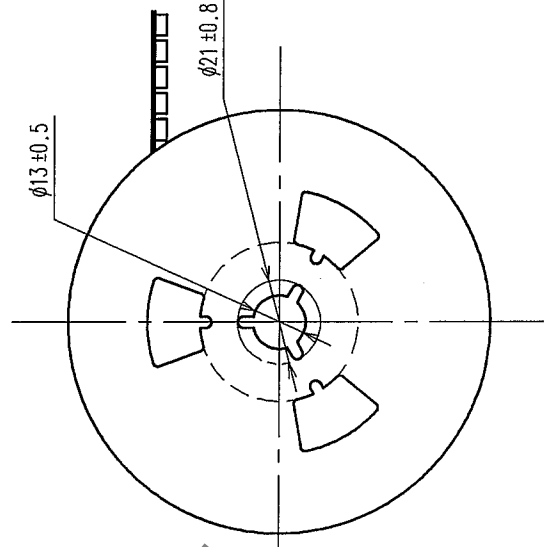
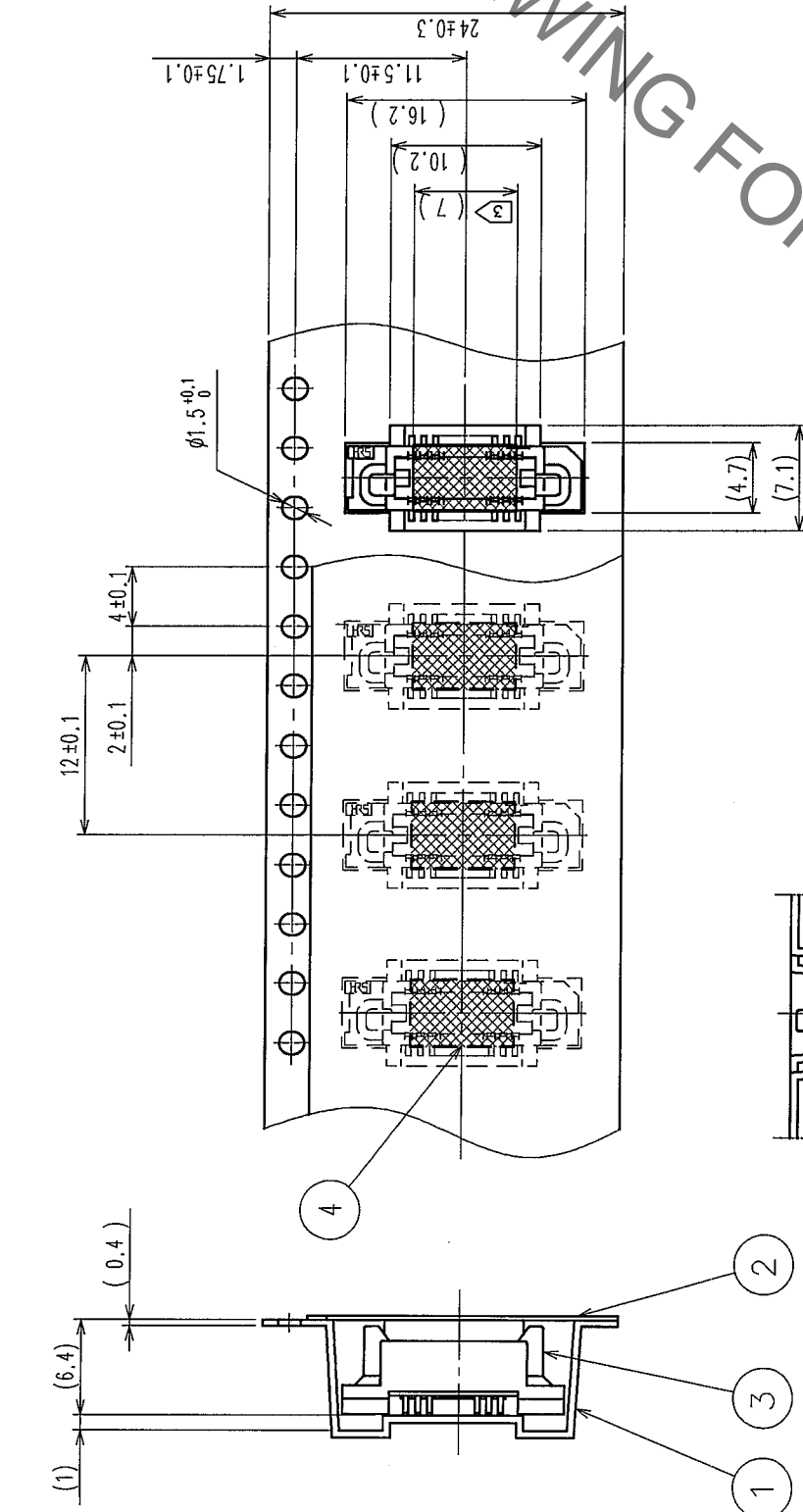
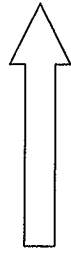


1	POLYPHENYLENE SULFIDE	LIGHT BROWN UL94V-0	2	PHOSPHOR BRONZE	
NO. MATERIAL FINISH, REMARKS		NO. MATERIAL FINISH, REMARKS		CONTACT AREA : GOLD 0.1μm min. LEAD AREA : TIN-PLATING 1μm min. UNDER PLATING : NICKEL 1μm min.	
CODE NO. (OLD) CL		DRAWN Y. AOYAGI '05.09.15	DESIGNED <i>H. Mada</i> '05.09.26	CHECKED <i>K. Ogawa</i> '05.09.26	APPROVED <i>H. Okawa</i> '05.09.26
DRAWING NO. EDC3-071315-23		PART NO. FX6A-20P-0.8SV1(93)		REMARKS	
SCALE 2:1		UNITS mm		CODE NO. CL576-0221-0-93	
HRS		HIROSE ELECTRIC CO., LTD		1/2	

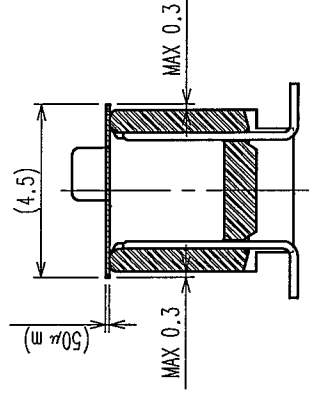
TO	
----	--

COUNT	DESCRIPTION OF REVISIONS	BY	CHKD	DATE	COUNT	DESCRIPTION OF REVISIONS	BY	CHKD	DATE
△					△				
△					△				
△					△				

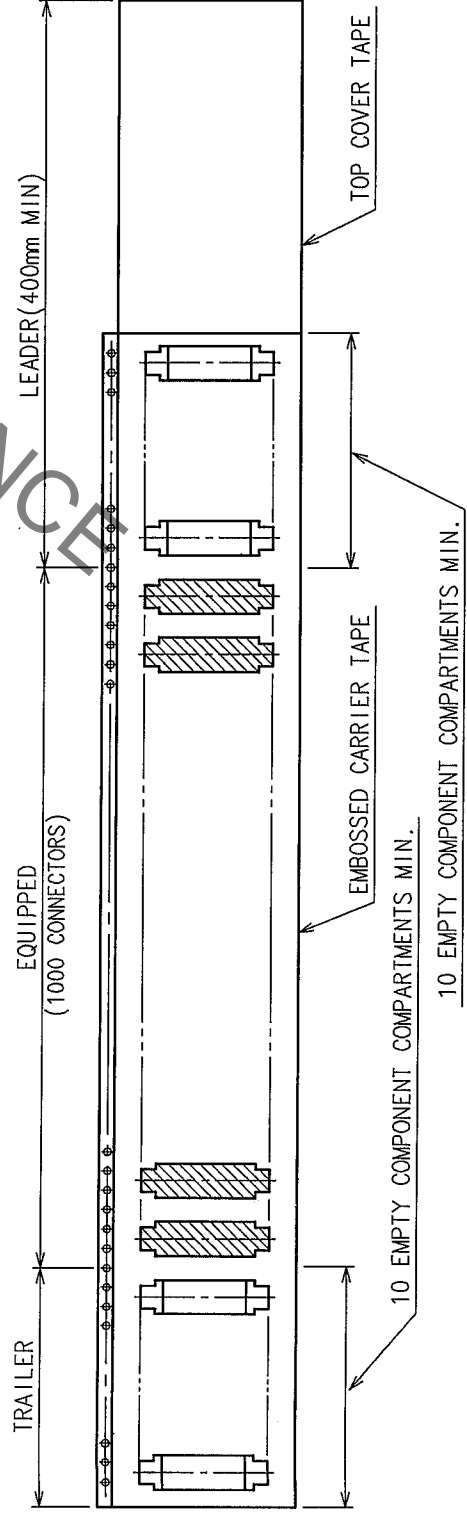
DIRECTION OF UNREELING



REEL DIMENSION(FREE)



DETAIL OF TAPE FOR VACUUM PICKUP(5:1)



NOTE 1 THE DIMENSIONS IN PARENTHESES ARE FOR REFERENCE.

2 1 REEL : 1000 CONNECTORS

3 REMOVE THE VACUUM PICK-UP TAPE AFTER MOUNTING THE CONNECTOR.

NO.	MATERIAL	FINISH, REMARKS	NO.	MATERIAL	FINISH, REMARKS
2	POLYESTER	TOP COVER TAPE	4	POLYIMIDE	TAPE FOR VACUUM PICKUP
1	POLYSTYRENE	EMBOSSED CARRIER TAPE	3		(CONNECTOR)

CODE NO. (OLD)	CL	DRAWN	DESIGNED	CHECKED	APPROVED	RELEASED
		Y. AOYAGI	K. NAKA	K. OYAMA	H. OKAWA	
		'05.09.15	'05.09.26	'05.09.26	'05.09.26	

DRAWING NO.	PART NO.
EDC3-071315-23	FX6A-20P-0.8SV1(93)

SCALE	UNITS	CODE NO.
2 : 1	mm	CL576-0221-0-93