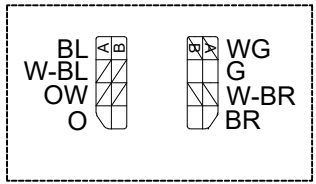
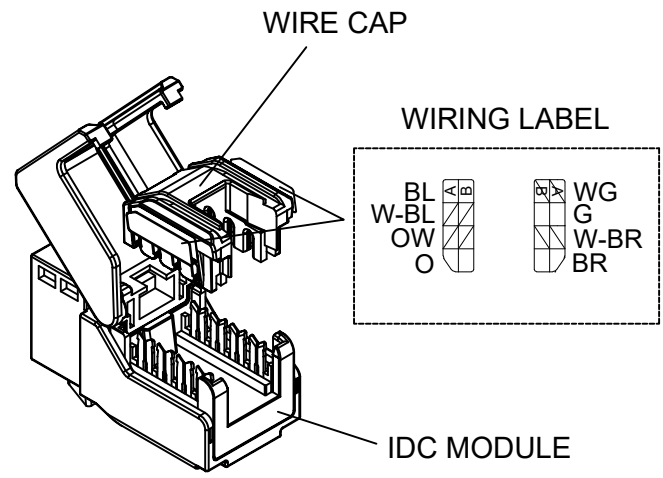
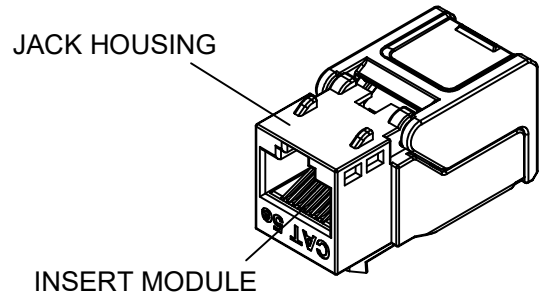


DATE	REV	ECN	APP'D. BY
03/08/18	A0	Released	TM

### ISOMETRIC VIEW



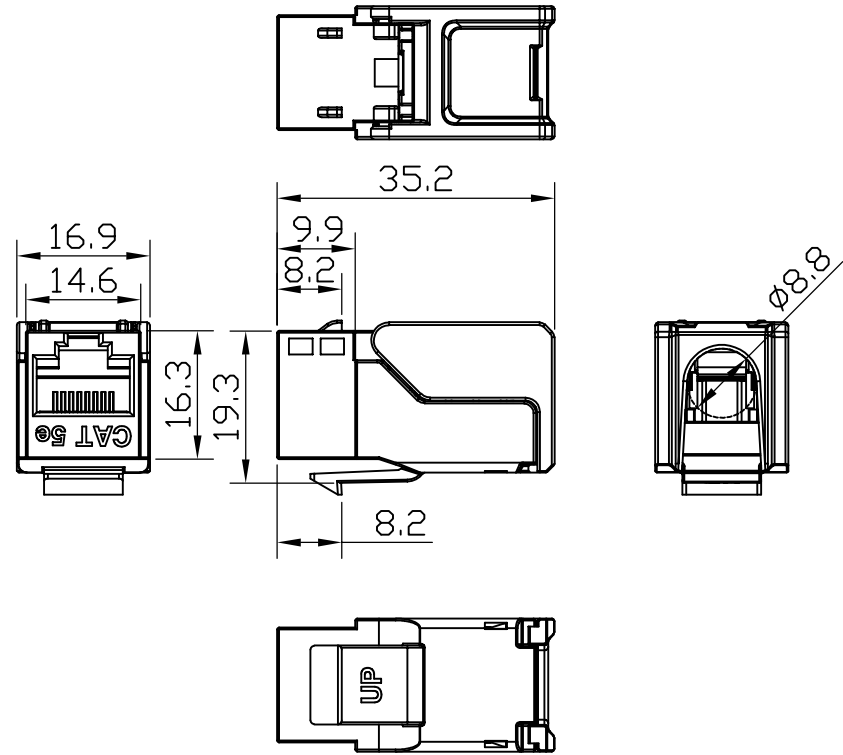
**TRANSMISSION PERFORMANCE**  
 Meet all requirements specified in connecting hardware requirement of:  
 ANSI/TIA-568-C.2, Category 5e

**ELECTRICAL**  
 Electrical Insulation Resistance : 500 MΩ min. @ 100V d.c  
 Dielectric Withstanding Voltage : 1000V d.c. or a.c. Peak Contact to Contact @ 60Hz for 1 minute

**MECHANICAL**  
 Insertion / Extraction Life : 750 Cycles Minimum  
 IDC Wire Gauge : 22 ~ 24 AWG

**PHYSICAL**  
 Housing : High-Impact, Flame-Retardant Plastic, UL 94V-0  
 Spring Wire : Phosphor Bronze Alloy Plated With 50 micro-inch of Gold  
 IDC : Phosphor Bronze Alloy With 100 micro-inch 100% Sn Alloy

### ASSEMBLY DIMENSION



COMPONENTS		
5	WIRING LABEL	2
4	IDC MODULE	1
3	WIRE CAP	1
2	INSERT MODULE	1
1	JACK HOUSING	1
ITEM	DISCRIPTION	Q'TY

SS-82000-005
<b>PART NUMBER</b>



THIRD ANGLE PROJECTION

DO NOT SCALE DRAWING  
 DRAWING IS SUBJECT TO CHANGE WITHOUT NOTICE

DIMENSIONS: METRIC

UNLESS OTHERWISE SPECIFIED TOLERANCES ARE ±0.2 ANGLES ARE ± 1°

SHEET NO. 1 OF 1

206 Van Vorst Street  
 Jersey City, NJ 07302  
 +1 201 432 0463  
<http://www.belfuse.com>

**CAT 5e UNSHIELDED TOOL-LESS KEYSTONE JACK**

DRN BY: DG	DATE 03/06/18
APPD BY: TM	DATE 03/08/18
DWG NO. CT820021	REV. A0

THIS DRAWING AND THE SUBJECT MATTER SHOWN THEREON ARE CONFIDENTIAL AND THE PROPRIETARY PROPERTY OF BEL FUSE, INC. AND SHALL NOT BE REPRODUCED, COPIED, OR USED IN ANY MANNER WITHOUT PRIOR WRITTEN CONSENT OF BEL FUSE, INC.