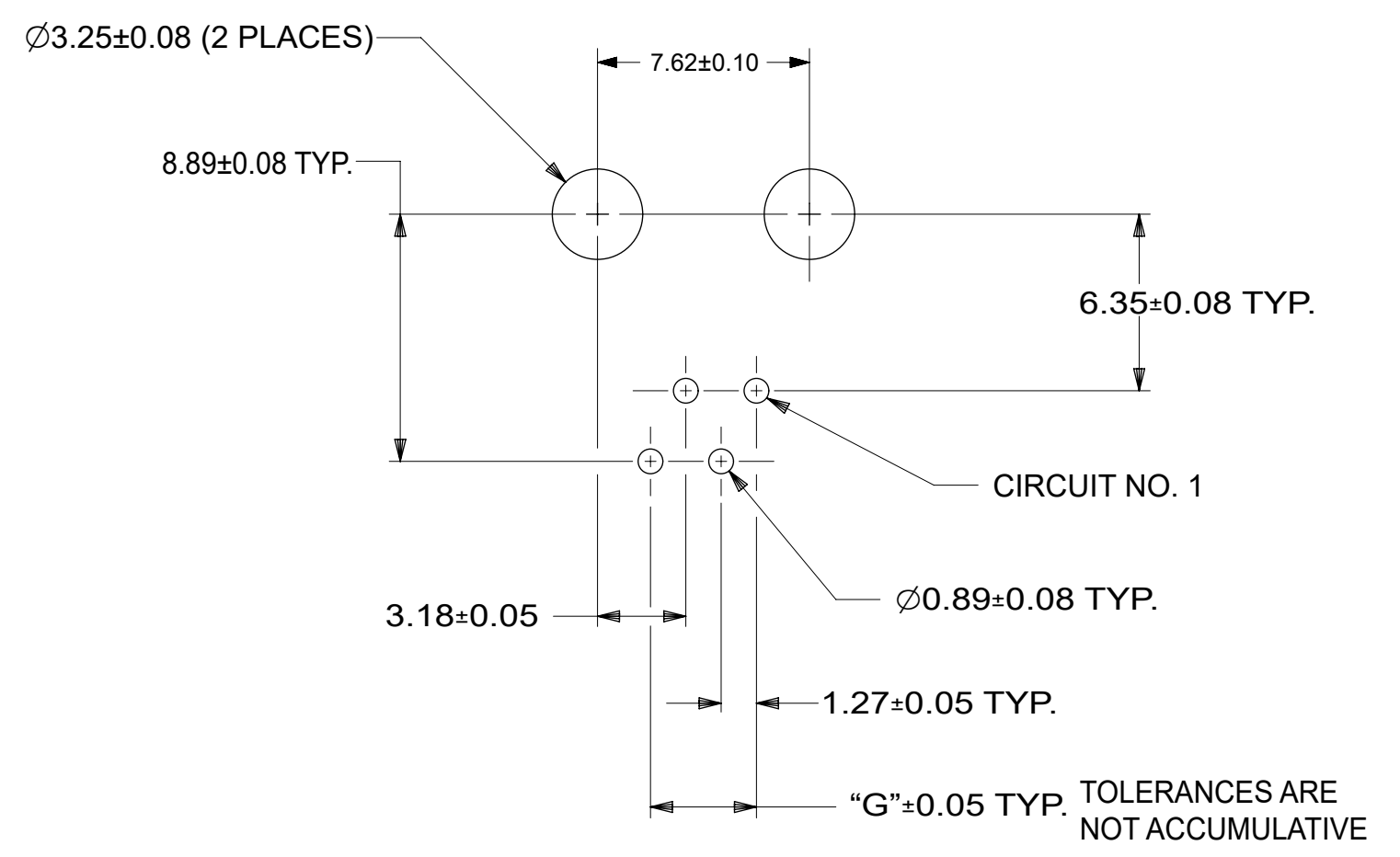
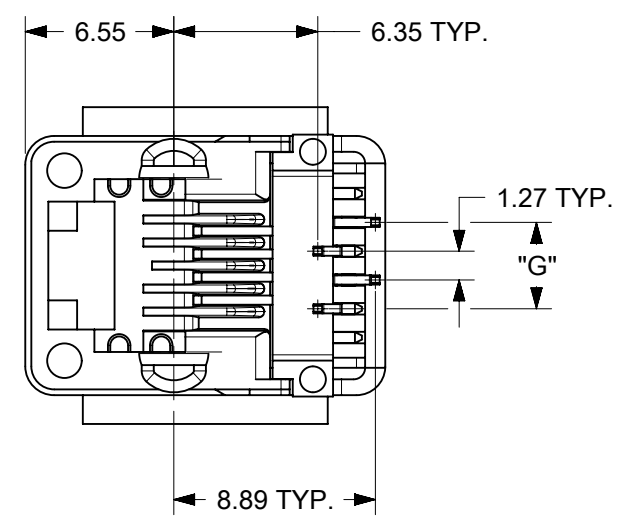
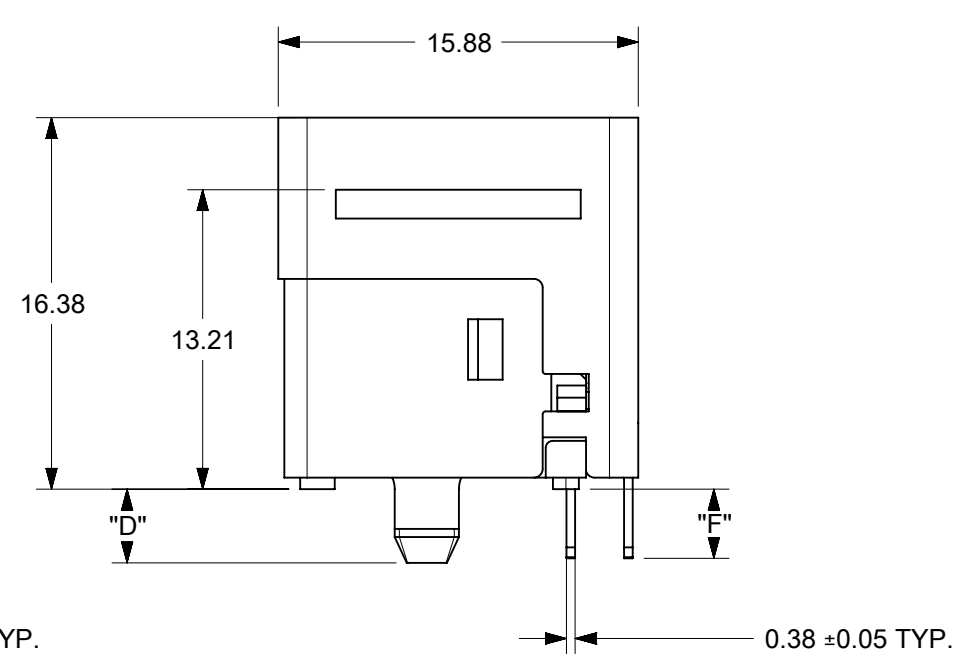
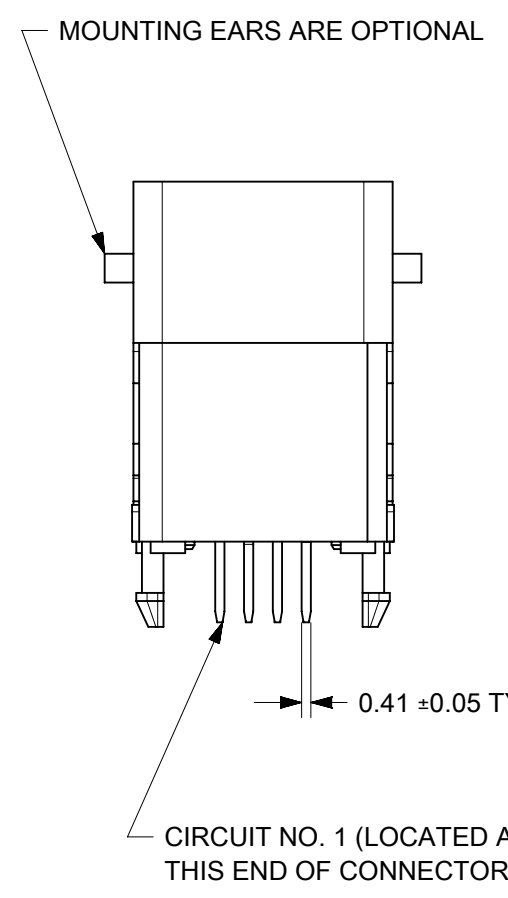
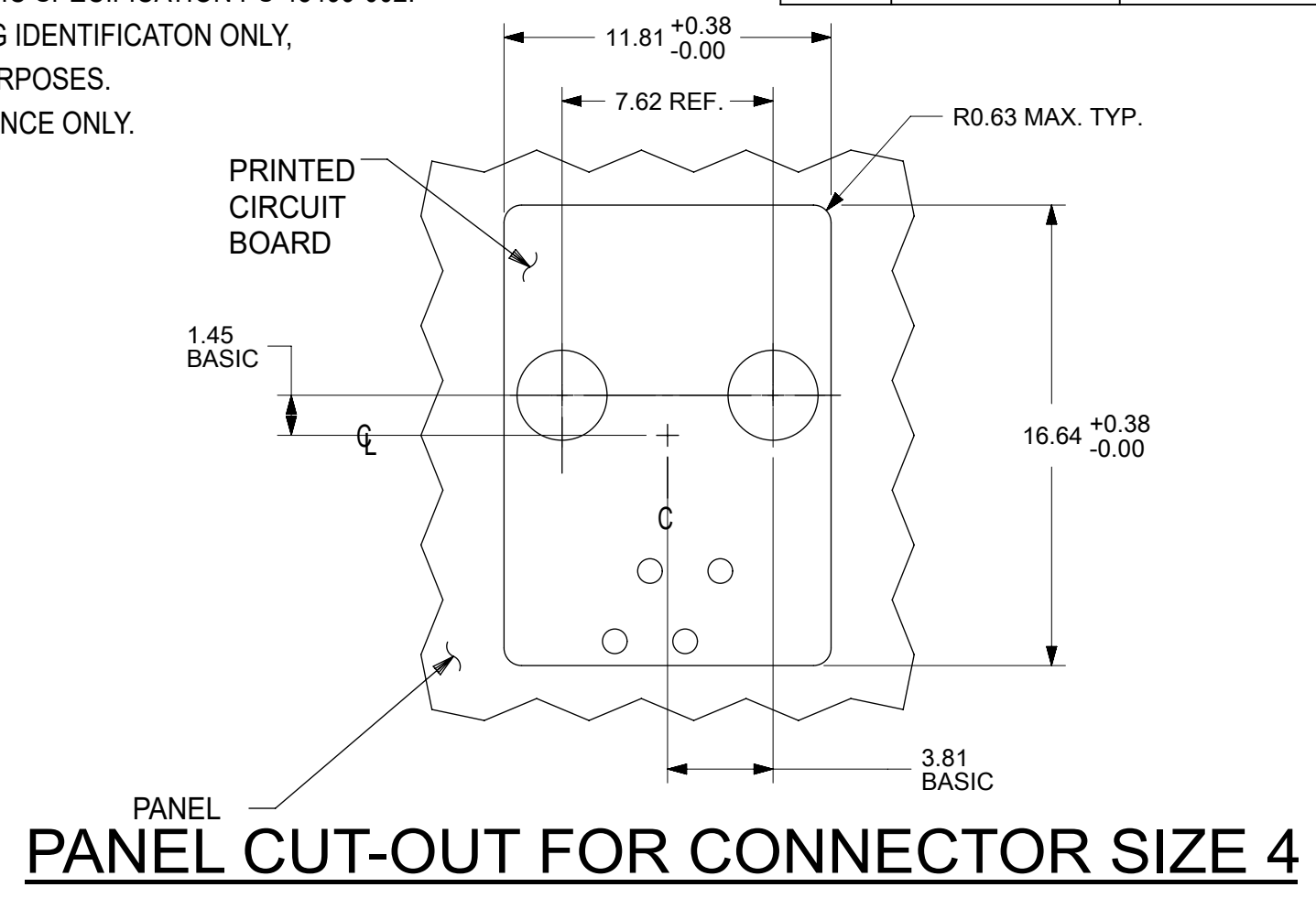
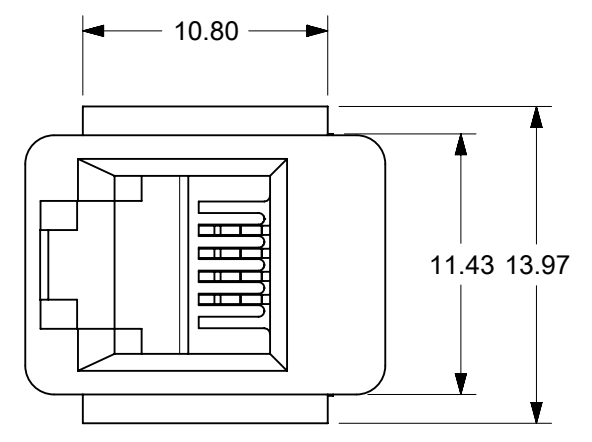


- NOTES:
- 1) MATERIALS: HOUSING PARTS ARE MADE OF POLYESTER, RATED U.L. 94 V-0, COLOR IS BLACK; TERMINALS ARE 0.38 mm THICK PHOSPHOR BRONZE.
 - 2) TERMINAL PLATING OPTIONS PER ES-88-***:
A - SELECT GOLD IN CONTACT AREA: 1.27 MICROMETERS MIN.,
SELECT MATTE TIN IN PC TAIL AREA: 2.54 MICROMETERS MIN.,
WITH OVERALL NICKEL UNDERPLATE: 1.27 MICROMETERS MIN.
 - 3) THESE MODULAR JACKS MEET THE PERFORMANCE REQUIREMENTS OF MOLEX PRODUCT SPECIFICATION PS-42410.
 - 4) CONNECTORS ARE TO BE PACKED IN THERMOFORMED TRAYS, PER PACKAGING SPECIFICATION PK-42410-492.
 - 5) ALL JACKS ARE DESIGNED TO BE USED WITH 1.57mm OR 3.18 mm THICK P.C. BOARDS.
 - 6) ALL JACKS CONFORM TO AND ACCEPT PLUGS WHICH CONFORM TO FCC RULES AND REGULATIONS PART 68, SUBPART F, WHEN PLATED WITH 1.27 MICROMETERS GOLD.
 - 7) ALL JACKS MUST BE CAPABLE OF FITTING INTO MOLEX GAGE G-42410 (CONNECTOR SIZE 4).
 - 8) SEE SHEETS 2 & 4 FOR CONNECTOR SIZE 6.
 - 9) SEE SHEETS 3 & 4 FOR CONNECTOR SIZE 8.
 - 10) SEE SHEET 4 FOR ASSEMBLY ITEM NUMBERS.
 - 11) PART CONFORMS TO CLASS "B" REQUIREMENTS OF COSMETIC SPECIFICATION PS-45499-002.
 - 12) ENGRAVED NUMBERS ON HOUSING BODY ARE FOR MOLDING IDENTIFICATION ONLY, THEY ARE NOT INTENDED FOR ASSEMBLY IDENTIFICATION PURPOSES.
 - 13) ALL UNTOLERANCED DIMENSIONS ARE SHOWN FOR REFERENCE ONLY.

P.C. BOARD THICKNESS	DIM. "D" (MTG PEGS)	DIM. "F" (P.C. TAILS)
1.57	3.25	3.05 +0.38/-0.63
3.18	4.85	5.21 +0.38/-0.63

CONNECTOR SIZE	CIRCUIT SIZE	DIM. "G"
4	4	3.81

SIZE 4 VERTICAL MODJACK ASSEMBLIES						
"X"= NOT TOOLED	ASSEMBLY ITEM NUMBER	PART CHARACTERISTICS				
		EXTERNAL CONNECTOR SIZE	NUMBER OF POSITIONS	P.C. BOARD THICKNESS	MOUNTING EARS OPTION	TERMINAL PLATING OPTION
	42410-4168	4 POS. BODY	4	1.57	YES	A
	42410-4170	4 POS. BODY	4	1.57	NO	A



SIZE 4 MODULAR JACK LOADED WITH 4 TERMINALS SHOWN ABOVE

(SEE SHEET 4 FOR PART NUMBER AVAILABILITY)

FUNCTIONAL SYMBOLS	THIS DRAWING CONTAINS INFORMATION THAT IS PROPRIETARY TO MOLEX ELECTRONIC TECHNOLOGIES, LLC AND SHOULD NOT BE USED WITHOUT WRITTEN PERMISSION		CURRENT REV DESC: MIGRATION.		
FA = 0	DIMENSION UNITS	SCALE	EC NO: 707240		
FC = 0	mm	3:1	DRWN: FAYEW 2022/05/19		
FP = 0	GENERAL TOLERANCES (UNLESS SPECIFIED)		CHK'D: KLANG 2022/05/31		
DIVISIONAL SYMBOLS	ANGULAR TOL ± 0.5°		APPR: KLANG 2022/05/31		PRODUCT CUSTOMER DRAWING
	4 PLACES ±		INITIAL REVISION:		DOCUMENT NUMBER
	3 PLACES ±		DRWN: FAYEW 2022/05/19		424108312
	2 PLACES ± 0.25		APPR: KLANG 2022/05/31		DOC TYPE
	1 PLACE ±		MATERIAL NUMBER		PSD
	0 PLACES ±		DRAWING		000
	DRAFT WHERE APPLICABLE MUST REMAIN WITHIN DIMENSIONS		SERIES		N4
	THIRD ANGLE PROJECTION		C-SIZE		42410
	DRAWING		CUSTOMER		GENERAL MARKET
	SHEET NUMBER		SEE CHART		1 OF 3

PREVIOUS DRAWING: SDA-42410-XXXX

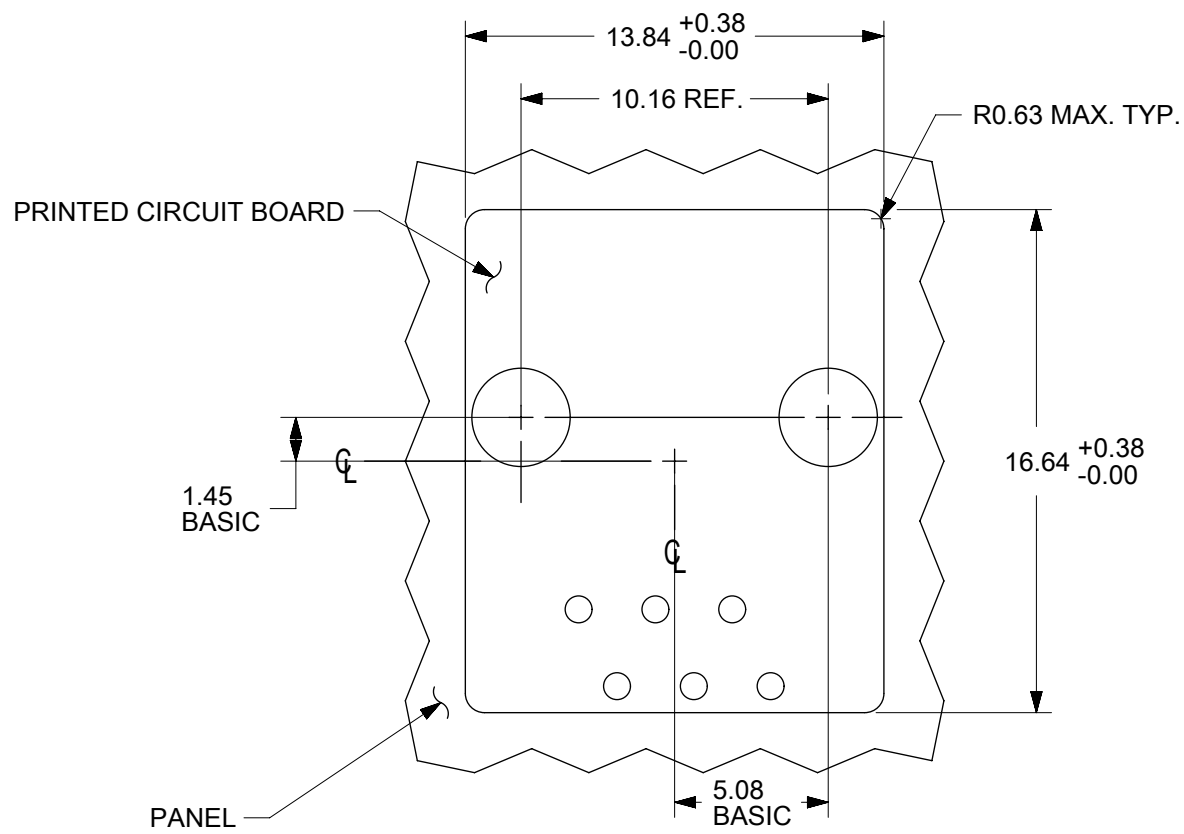
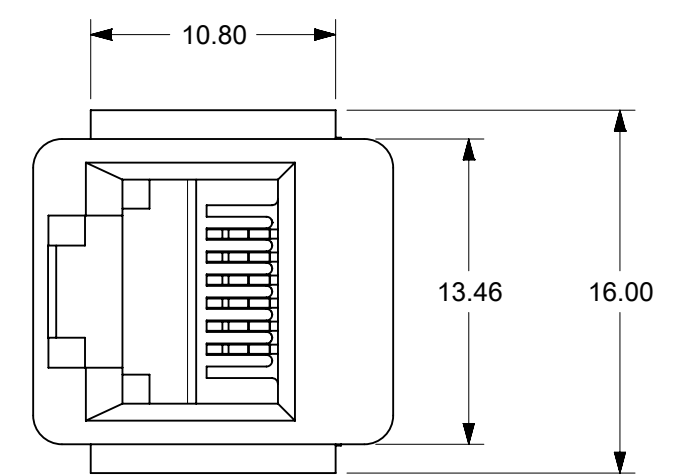
NOTES:

- 1) MATERIALS: HOUSING PARTS ARE MADE OF POLYESTER, RATED U.L. 94 V-0, COLOR IS BLACK; TERMINALS ARE 0.38mm THICK PHOSPHOR BRONZE.
- 2) TERMINAL PLATING OPTIONS PER ES-88-***:
 - A - SELECT GOLD IN CONTACT AREA: 1.27 MICROMETERS MIN., SELECT MATTE TIN IN PC TAIL AREA: 2.54 MICROMETERS MIN., WITH OVERALL NICKEL UNDERPLATE: 1.27 MICROMETERS MIN.
 - B - SELECT GOLD IN CONTACT AREA: 0.38 MICROMETERS MIN., SELECT MATTE TIN IN PC TAIL AREA: 2.54 MICROMETERS MIN., WITH OVERALL NICKEL UNDERPLATE: 1.27 MICROMETERS MIN.
- 3) THESE MODULAR JACKS MEET THE PERFORMANCE REQUIREMENTS OF MOLEX PRODUCT SPECIFICATION PS-42410.
- 4) CONNECTORS ARE TO BE PACKED IN THERMOFORMED TRAYS, PER PACKAGING SPECIFICATION PK-42410-492.
- 5) ALL JACKS ARE DESIGNED TO BE USED WITH 1.57 mm OR 3.18 mm THICK P.C. BOARDS.
- 6) ALL JACKS CONFORM TO AND ACCEPT PLUGS WHICH CONFORM TO FCC RULES AND REGULATIONS PART 68, SUBPART F, WHEN PLATED WITH 1.27 MICROMETERS GOLD.
- 7) ALL JACKS MUST BE CAPABLE OF FITTING INTO MOLEX GAGE G-42410 (CONNECTOR SIZE 4).
- 8) SEE SHEETS 1 & 4 FOR CONNECTOR SIZE 4.
- 9) SEE SHEETS 3 & 4 FOR CONNECTOR SIZE 8.
- 10) SEE SHEET 4 FOR ASSEMBLY ITEM NUMBERS.
- 11) PART CONFORMS TO CLASS "B" REQUIREMENTS OF COSMETIC SPECIFICATION PS-45499-002.
- 12) ENGRAVED NUMBERS ON HOUSING BODY ARE FOR MOLDING IDENTIFICATION ONLY, THEY ARE NOT INTENDED FOR ASSEMBLY IDENTIFICATION PURPOSES.
- 13) ALL UNTOLERANCED DIMENSIONS ARE SHOWN FOR REFERENCE ONLY.

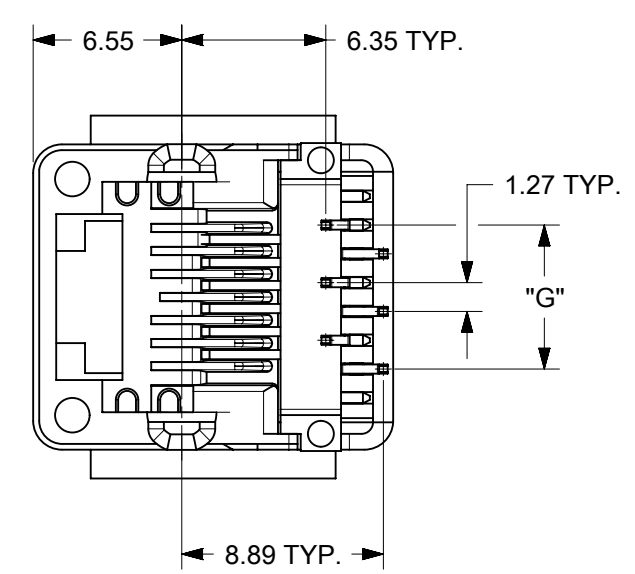
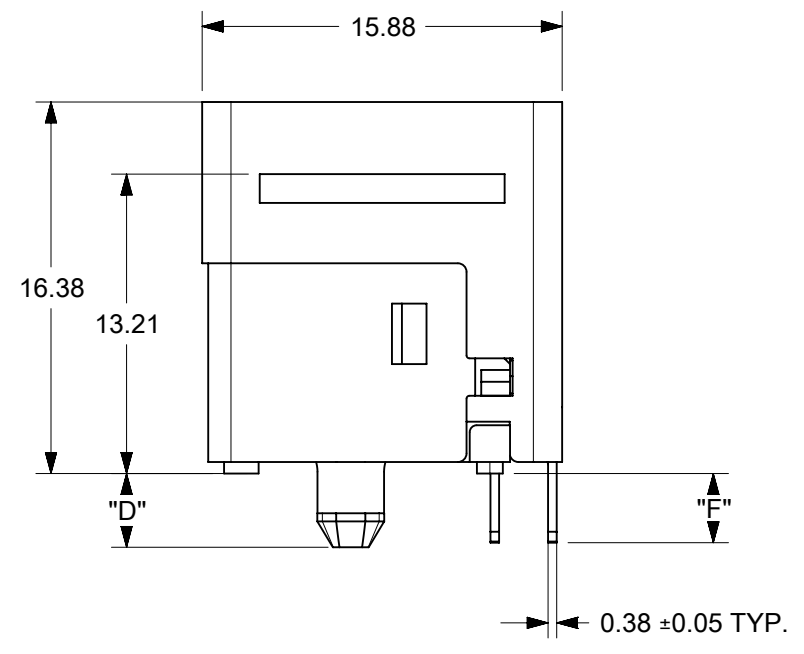
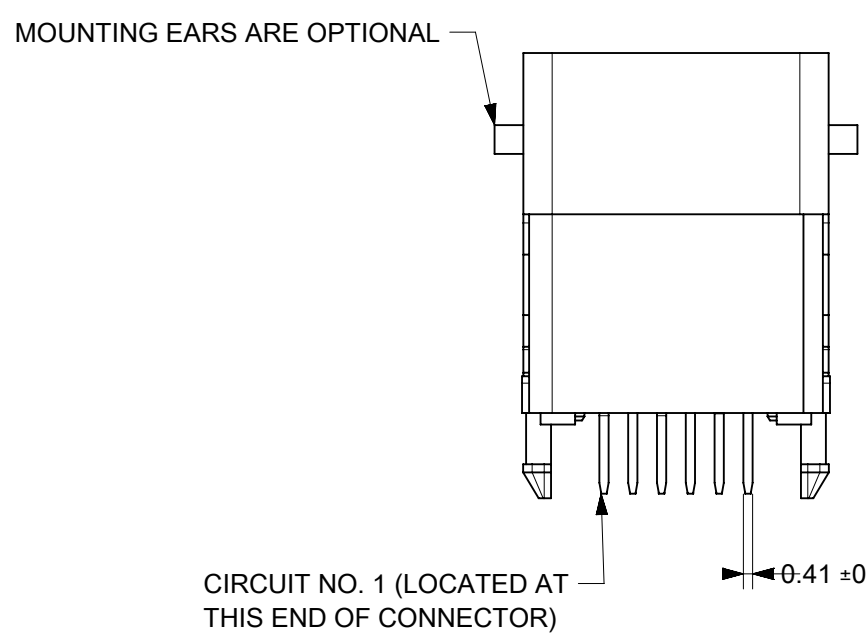
P.C. BOARD THICKNESS	DIM. "D" (MTG PEGS)	DIM. "F" (P.C. TAILS)
1.57	3.25	3.05 +0.38/-0.63
3.18	4.85	5.21 +0.38/-0.63

CONNECTOR SIZE	CIRCUIT SIZE	DIM. "G"
6	6	6.35
6	4	3.81
6	2	1.27

SIZE 6 VERTICAL MODJACK ASSEMBLIES						
"X"= NOT TOOLED	ASSEMBLY ITEM NUMBER	PART CHARACTERISTICS				
		EXTERNAL CONNECTOR SIZE	NUMBER OF POSITIONS	P.C. BOARD THICKNESS	MOUNTING EARS OPTION	TERMINAL PLATING OPTION
	42410-6168	6 POS. BODY	6	1.57	YES	A
	42410-6170	6 POS. BODY	6	1.57	NO	A
	42410-6314	6 POS. BODY	4	1.57	NO	A
	42410-6456	6 POS. BODY	2	1.57	YES	A

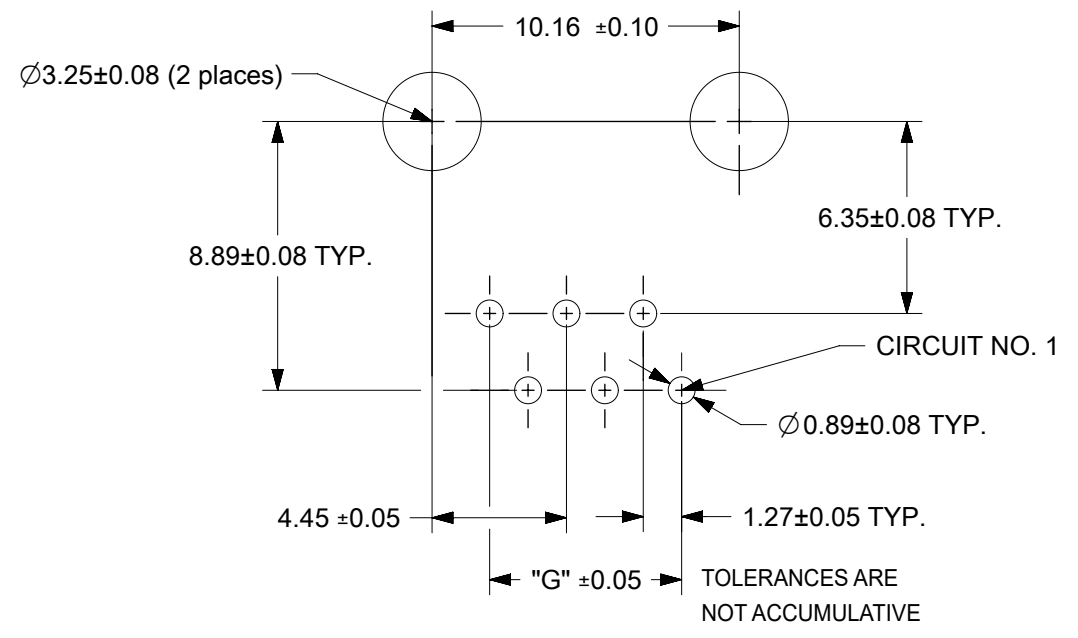


PANEL CUT-OUT FOR CONNECTOR SIZE 6



SIZE 6 MODULAR JACK LOADED WITH 6 TERMINALS SHOWN ABOVE

(SEE SHEET 4 FOR PART NUMBER AVAILABILITY)



P.C. BOARD LAYOUT FOR CONNECTOR SIZE 6

VIEWED FROM COMPONENT SIDE

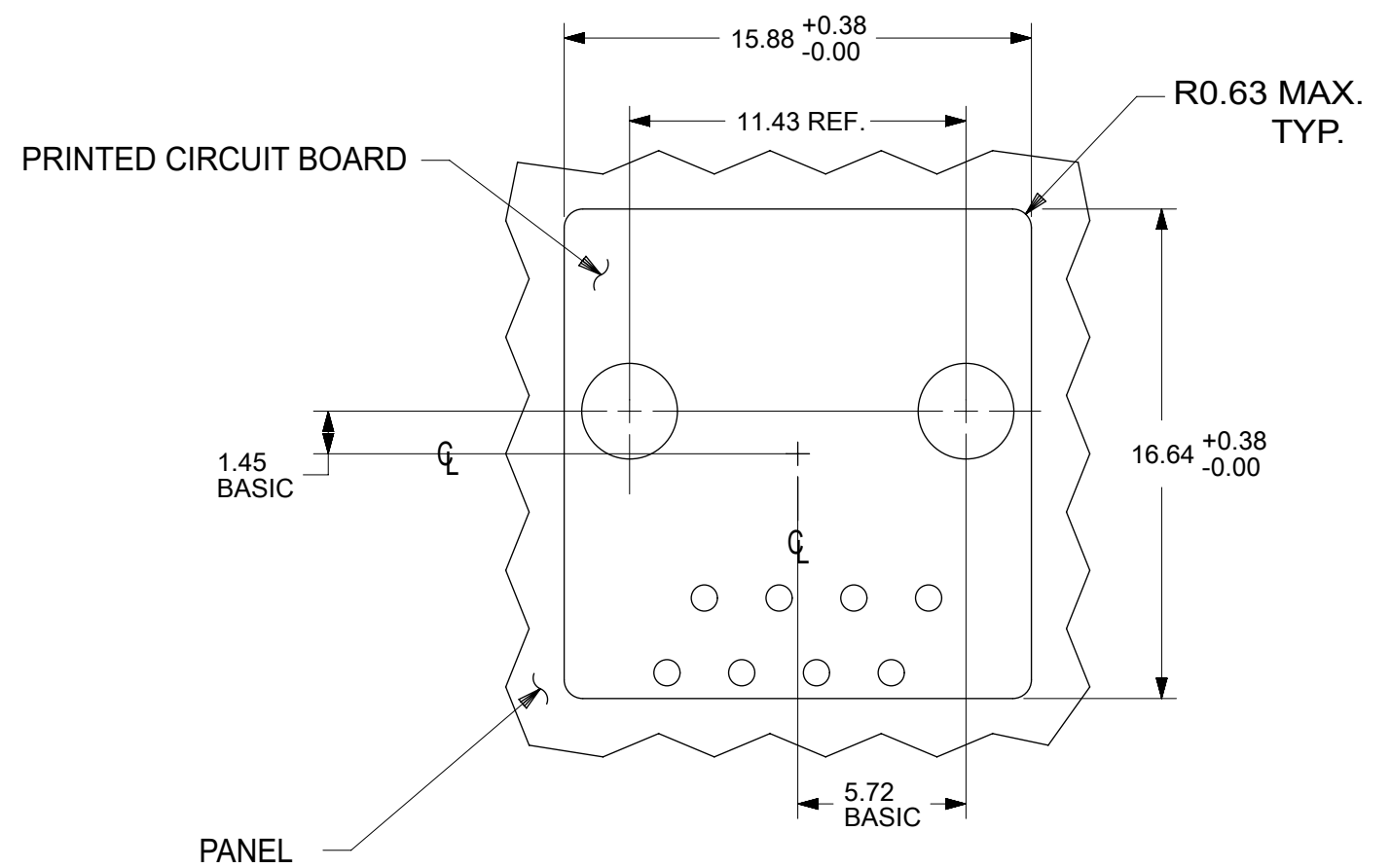
FUNCTIONAL SYMBOLS	THIS DRAWING CONTAINS INFORMATION THAT IS PROPRIETARY TO MOLEX ELECTRONIC TECHNOLOGIES, LLC AND SHOULD NOT BE USED WITHOUT WRITTEN PERMISSION		CURRENT REV DESC: MIGRATION.		
	$\frac{F}{A} = 0$ $\frac{F}{C} = 0$ $\frac{F}{P} = 0$	DIMENSION UNITS: mm SCALE: 3:1	GENERAL TOLERANCES (UNLESS SPECIFIED) ANGULAR TOL $\pm 0.5^\circ$		
DIVISIONAL SYMBOLS	4 PLACES \pm 3 PLACES \pm 2 PLACES ± 0.25 1 PLACE \pm 0 PLACES \pm	INITIAL REVISION: DRWN: FAYEW 2022/05/19 APPR: KLANG 2022/05/31	PRODUCT CUSTOMER DRAWING DOCUMENT NUMBER: 424108312 DOC TYPE: PSD DOC PART: 000 REVISION: N4		MATERIAL NUMBER: SEE CHART CUSTOMER: GENERAL MARKET SHEET NUMBER: 2 OF 3
DRAFT WHERE APPLICABLE MUST REMAIN WITHIN DIMENSIONS		THIRD ANGLE PROJECTION	DRAWING: C-SIZE	SERIES: 42410	

NOTES:

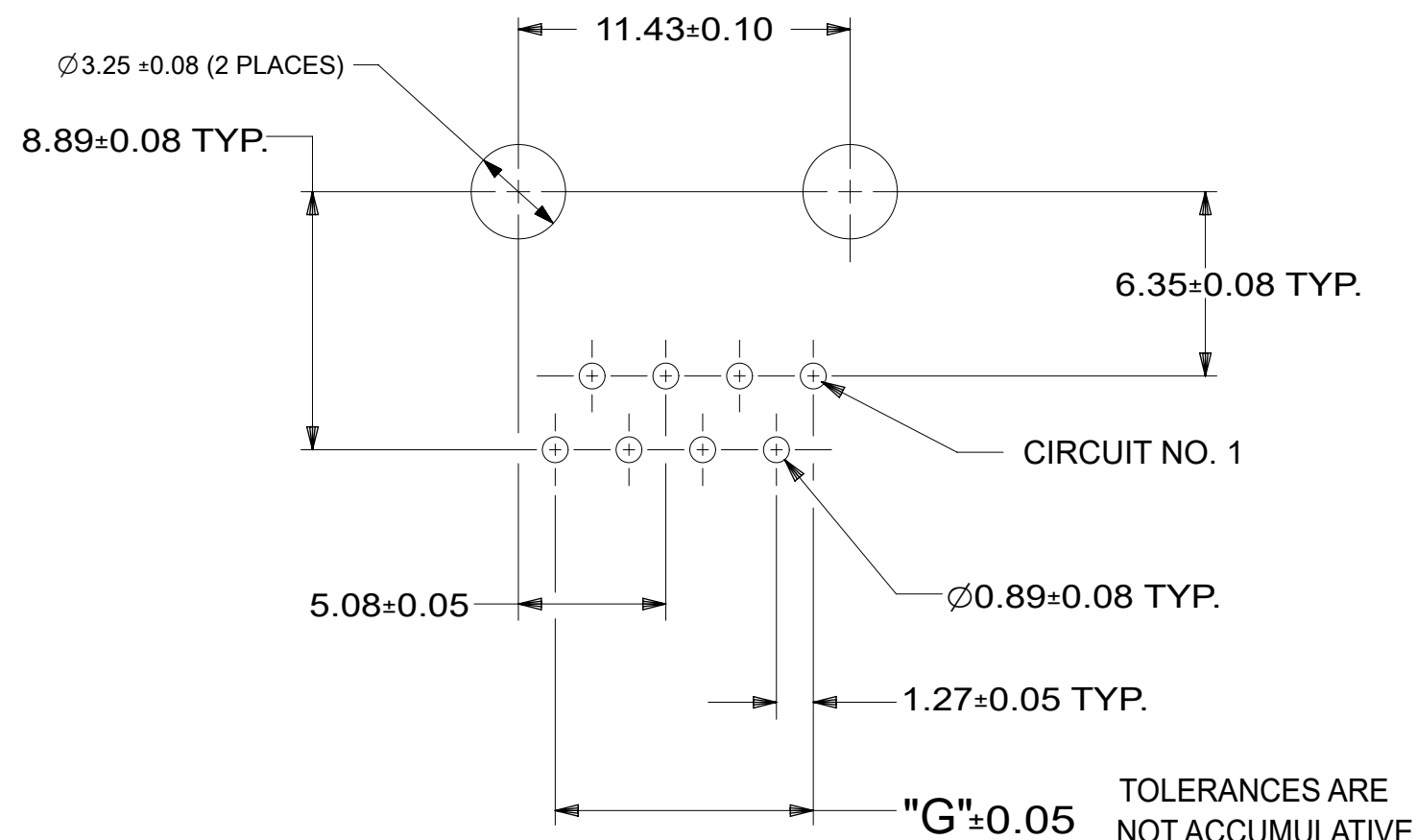
- 1) MATERIALS: HOUSING PARTS ARE MADE OF POLYESTER, RATED U.L. 94 V-0, COLOR IS BLACK; TERMINALS ARE 0.38 mm THICK PHOSPHOR BRONZE.
- 2) TERMINAL PLATING OPTIONS PER ES-88-***:
A - SELECT GOLD IN CONTACT AREA: 1.27 MICROMETERS MIN.,
SELECT MATTE TIN IN PC TAIL AREA: 2.54 MICROMETERS MIN.,
WITH OVERALL NICKEL UNDERPLATE: 1.27 MICROMETERS MIN.
- 3) THESE MODULAR JACKS MEET THE PERFORMANCE REQUIREMENTS OF MOLEX PRODUCT SPECIFICATION PS-42410.
- 4) CONNECTORS ARE TO BE PACKED IN THERMOFORMED TRAYS, PER PACKAGING SPECIFICATION PK-42410-492.
- 5) ALL JACKS ARE DESIGNED TO BE USED WITH 1.57 mm OR 3.18 mm THICK P.C. BOARDS.
- 6) ALL JACKS CONFORM TO AND ACCEPT PLUGS WHICH CONFORM TO FCC RULES AND REGULATIONS PART 68, SUBPART F, WHEN PLATED WITH 50 MICROINCHES GOLD.
- 7) ALL JACKS MUST BE CAPABLE OF FITTING INTO MOLEX GAGE G-42410 (CONNECTOR SIZE 4).
- 8) SEE SHEETS 1 & 4 FOR CONNECTOR SIZE 4.
- 9) SEE SHEETS 2 & 4 FOR CONNECTOR SIZE 6.
- 10) SEE SHEET 4 FOR ASSEMBLY ITEM NUMBERS.
- 11) PART CONFORMS TO CLASS "B" REQUIREMENTS OF COSMETIC SPECIFICATION PS-45499-002.
- 12) ENGRAVED NUMBERS ON HOUSING BODY ARE FOR MOLDING IDENTIFICATION ONLY, THEY ARE NOT INTENDED FOR ASSEMBLY IDENTIFICATION PURPOSES.
- 13) ALL UNTOLERANCED DIMENSIONS ARE SHOWN FOR REFERENCE ONLY.

P.C. BOARD THICKNESS	DIM. "D" (MTG. PEGS)	DIM. "F" (P.C. TAILS)
1.57	3.25	3.05 +0.38/-0.63
3.18	4.85	5.21 +0.38/-0.63

SIZE 8 VERTICAL MODJACK ASSEMBLIES							
"X"=NOT TOOLED	ASSEMBLY ITEM NUMBER	PART CHARACTERISTICS					
		EXTERNAL CONNECTOR SIZE	NUMBER OF POSITIONS	P.C. BOARD THICKNESS	KEYING OPTION	MOUNTING EARS OPTION	TERMINAL PLATING OPTION
	42410-8312	8 POS. BODY	8	1.57	NO	YES	A
	42410-8314	8 POS. BODY	8	1.57	NO	NO	A



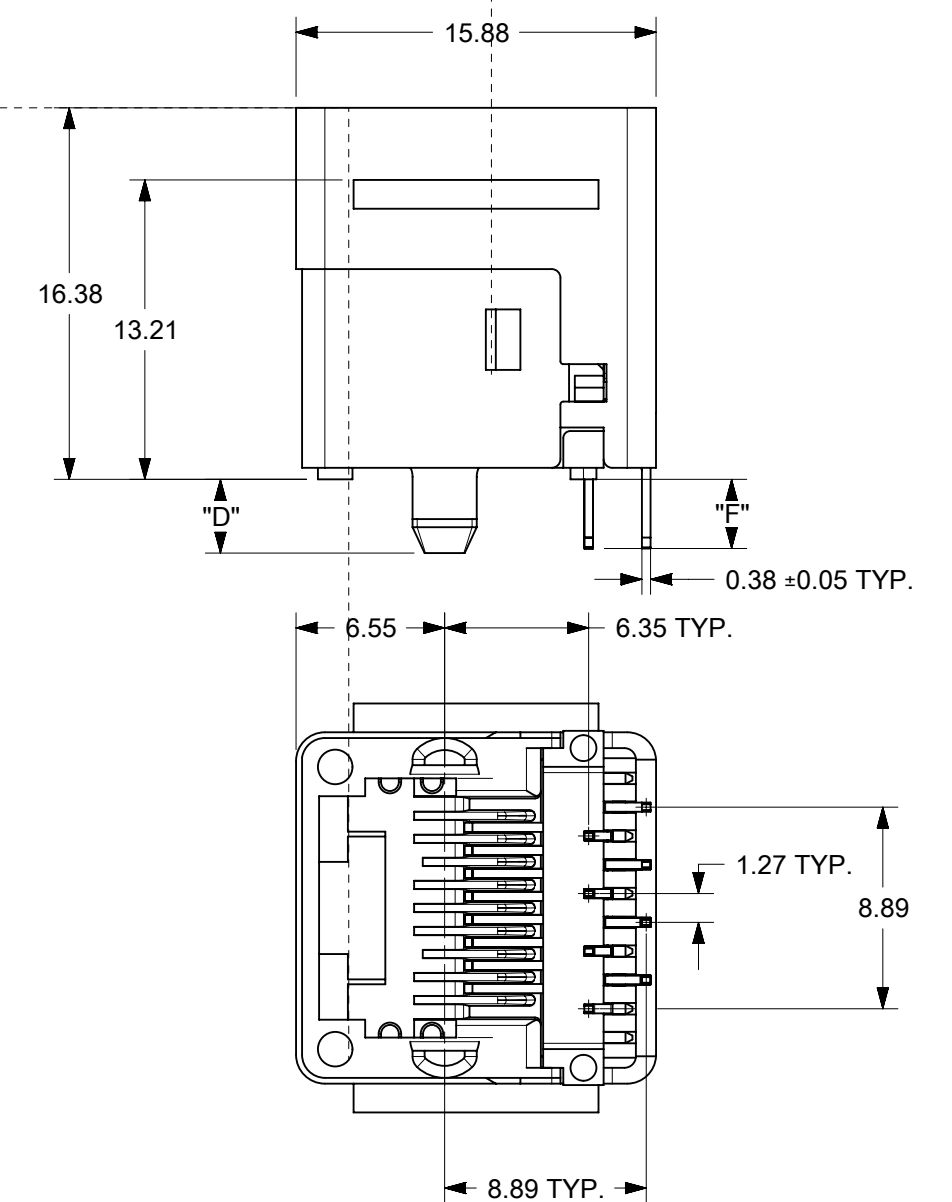
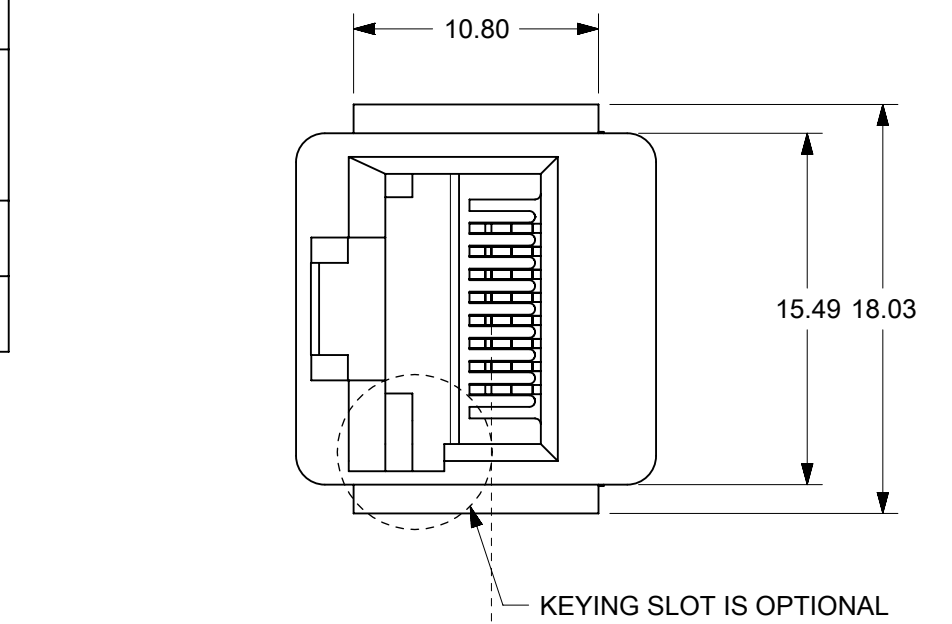
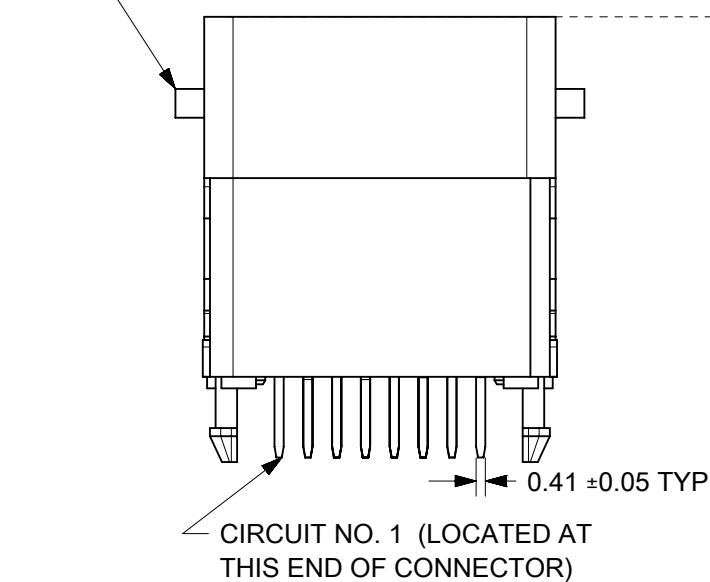
PANEL CUT-OUT FOR CONNECTOR SIZE 8



P.C. BOARD LAYOUT FOR CONNECTOR SIZE 8

VIEWED FROM COMPONENT SIDE

MOUNTING EARS ARE OPTIONAL (SEE CHARACTERISTICS LEGEND)



SIZE 8 MODULAR JACK LOADED WITH 8 TERMINALS SHOWN ABOVE
(SEE SHEET 4 FOR PART NUMBER AVAILABILITY)

FUNCTIONAL SYMBOLS	THIS DRAWING CONTAINS INFORMATION THAT IS PROPRIETARY TO MOLEX ELECTRONIC TECHNOLOGIES, LLC AND SHOULD NOT BE USED WITHOUT WRITTEN PERMISSION		CURRENT REV DESC: MIGRATION.		molex	
$\frac{F}{A} = 0$	DIMENSION UNITS	SCALE	EC NO: 707240		ASSEMBLY; VERTICAL MODULAR JACKS	
$\frac{F}{C} = 0$	mm	3:1	DRWN: FAYEW 2022/05/19		PRODUCT CUSTOMER DRAWING	
$\frac{F}{P} = 0$	GENERAL TOLERANCES (UNLESS SPECIFIED)		CHK'D: KLANG 2022/05/31		DOCUMENT NUMBER	
	ANGULAR TOL ± 0.5°		APPR: KLANG 2022/05/31		DOC TYPE DOC PART REVISION	
	4 PLACES ±		INITIAL REVISION:		424108312 PSD 000 N4	
	3 PLACES ±		DRWN: FAYEW 2022/05/19		MATERIAL NUMBER	
	2 PLACES ± 0.25		APPR: KLANG 2022/05/31		CUSTOMER	
	1 PLACE ±		DRAFT WHERE APPLICABLE MUST REMAIN WITHIN DIMENSIONS		SEE CHART	
	0 PLACES ±		THIRD ANGLE PROJECTION		GENERAL MARKET	
	DRAWING		SERIES		SHEET NUMBER	
	C-SIZE		42410		3 OF 3	