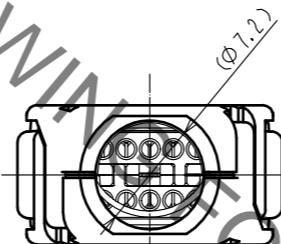
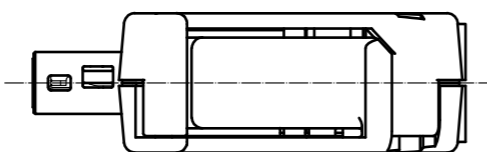
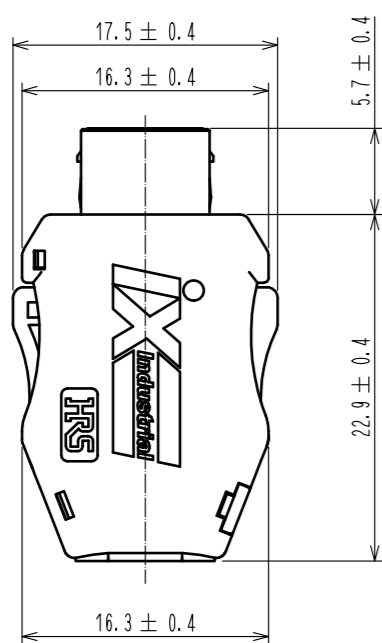
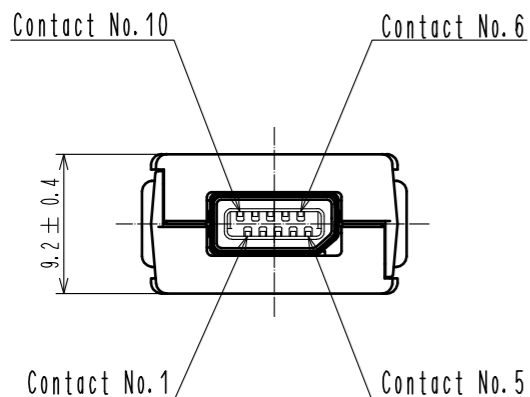
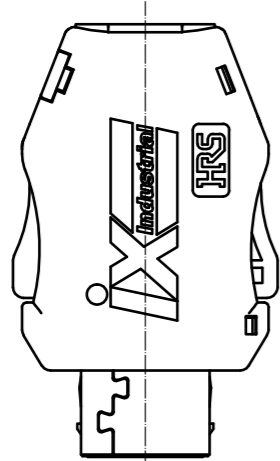


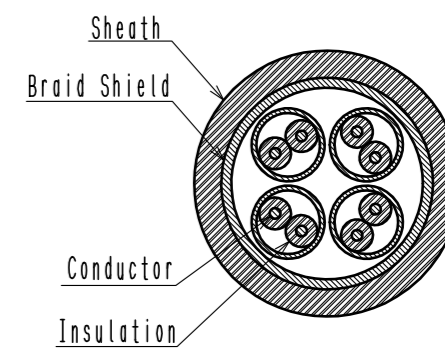
Apr.1.2023 Copyright 2023 HIROSE ELECTRIC CO., LTD. All Rights Reserved.  
In case of consideration for using Automotive equipment / device which demand high reliability, kindly contact our sales window correspondents.



Notes. 1. Recommended cable condition is shown below.  
 ⚠ A list of compatible cables is available on the Hirose website.  
 When using a non-recommended cable, please contact a Hirose sales representative.  
 Refer to the technical specification (ETAD-E3162) for wiring and assembly procedures.

⚠ Recommended Cable

| Items            |             | Recommended Condition |
|------------------|-------------|-----------------------|
| Conductor        | Size        | AWG#28 to 26          |
|                  | Composition | 7 stranded            |
|                  | Material    | Annealed copper wire  |
| Insulation O. D. |             | φ 0.95 to 1.05mm      |
| Braid Shield     |             | Tin plating           |
| Sheath O. D.     |             | φ 6.3 to 7.2mm        |

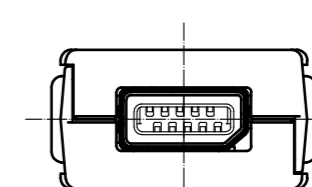
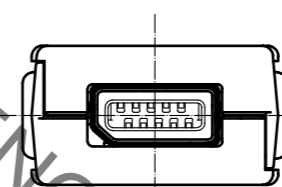


2. This product (Type B) is used for non Ethernet applications like signaling, serial or other industrial bus communication systems. Please use Type A for 10/100 Mbit/s and 1/10 Gbit/s Ethernet communication.

⚠ Mating Key

Type A

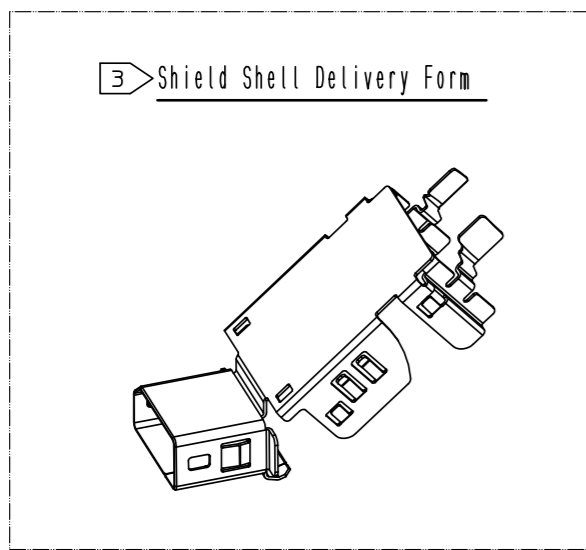
Type B



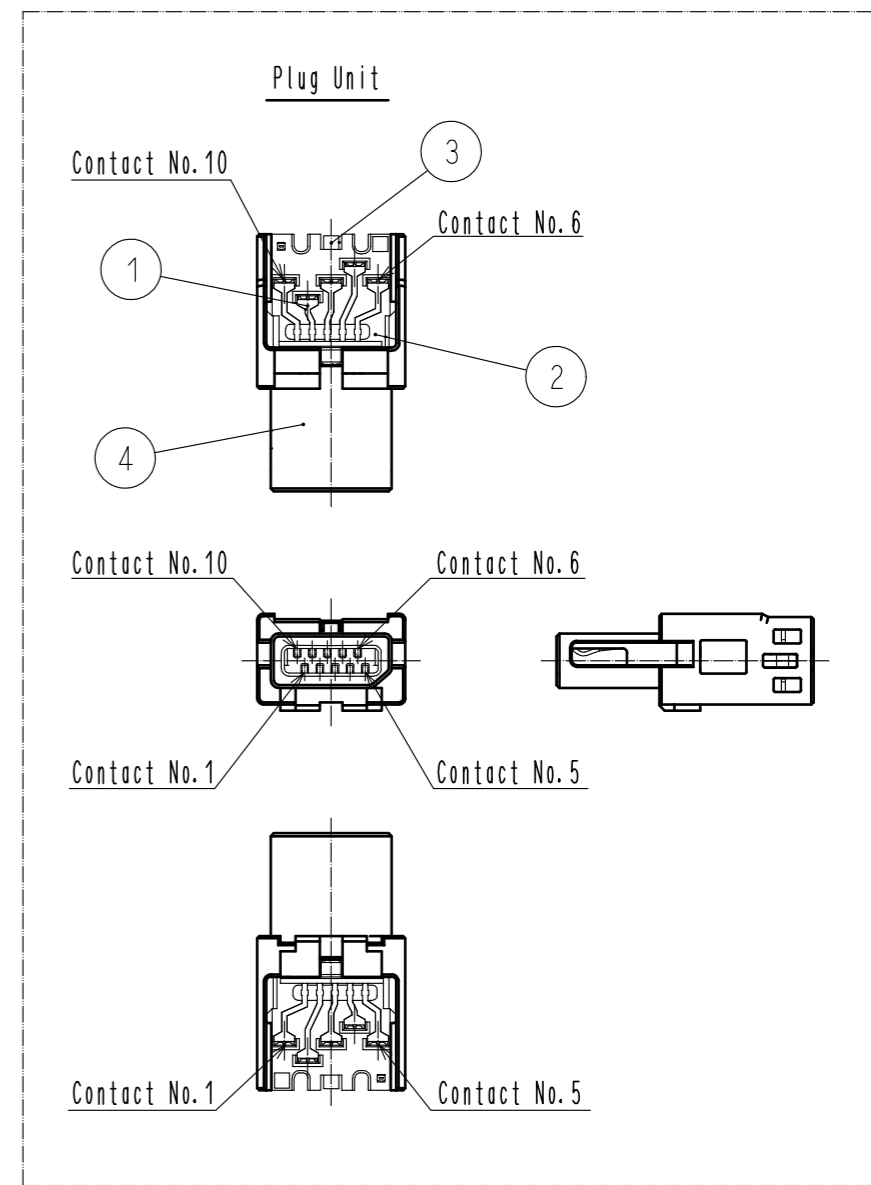
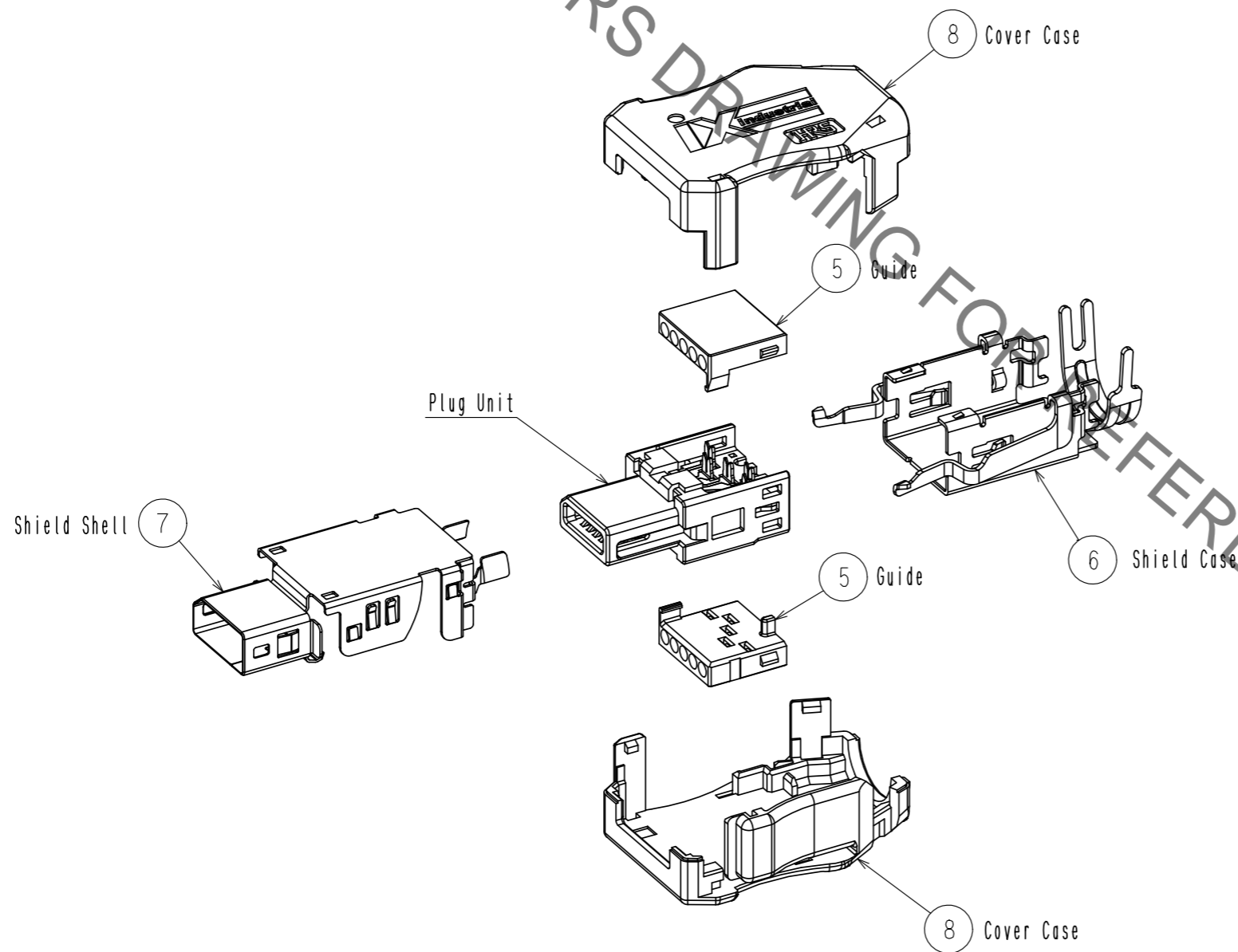
⚠ ③ Excluding the plug unit, this product is packaged separately by the type of parts. The shield shell is packaged prior to bending. (See next page.)

| 4                                    | PA              | Black, UL94V-0  | 8                               | PC   | Dark gray, UL94V-0 |
|--------------------------------------|-----------------|---|---------------------------------|--|--------------------|
| 3                                    | Stainless Steel |   | 7                               | Stainless Steel                            | Nickel 0.2 μm min  |
| 2                                    | PA              | Black, UL94V-0  | 6                               | Stainless Steel                            | Nickel 1 μm min    |
| 1                                    | Copper Alloy    | Contact area : Gold 0.2 μm min<br>Wiring area : Gold 0.03 μm min<br>Under plating : Nickel 2 μm min | 5                               | PC   | Clear, UL94V-0     |
| NO.                                  | MATERIAL        | FINISH . REMARKS  | NO.                             | MATERIAL                                   | FINISH . REMARKS   |
| UNITS<br>mm                          |                 | SCALE<br>2 : 1  | COUNT<br>6                      | DESCRIPTION OF REVISIONS<br>DIS-E-00006876 |                    |
| <b>HRS</b> HIROSE ELECTRIC CO., LTD. |                 | APPROVED : RI. TAKAYASU 20170324  | DESIGNED<br>MT. YASUDA          |  |                    |
|                                      |                 | CHECKED : KI. NAGANUMA 20170324   | CHECKED<br>KI. KAGOTANI         |  |                    |
|                                      |                 | DESIGNED : HT. SATO 20170324  | DATE<br>20210922                |  |                    |
|                                      |                 | DRAWN : HT. SATO 20170324   | DRAWING NO.<br>EDC-129487-00-00 |  |                    |
|                                      |                 |   | PART NO.<br>IX30G-B-10S-CV(7.0) |  |                    |
|                                      |                 |   | CODE NO.<br>CL0251-0025-0-00    |  |                    |

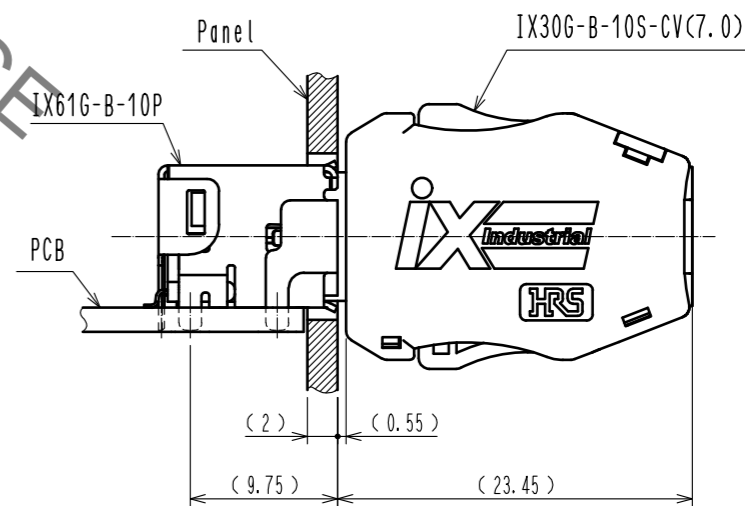
Apr.1.2023 Copyright 2023 HIROSE ELECTRIC CO., LTD. All Rights Reserved.  
 In case of consideration for using Automotive equipment / device which demand high reliability, kindly contact our sales window correspondents.



Product Structure



Mated Condition



|            |             |                     |  |
|------------|-------------|---------------------|--|
| <b>HRS</b> | DRAWING NO. | EDC-129487-00-00    |  |
|            | PART NO.    | IX30G-B-10S-CV(7.0) |  |
|            | CODE NO.    | CL0251-0025-0-00    |  |
|            |             |                     |  |