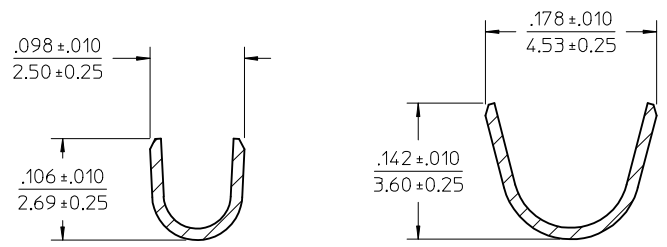


CARRIER STRIP PROGRESSION

NOTES:

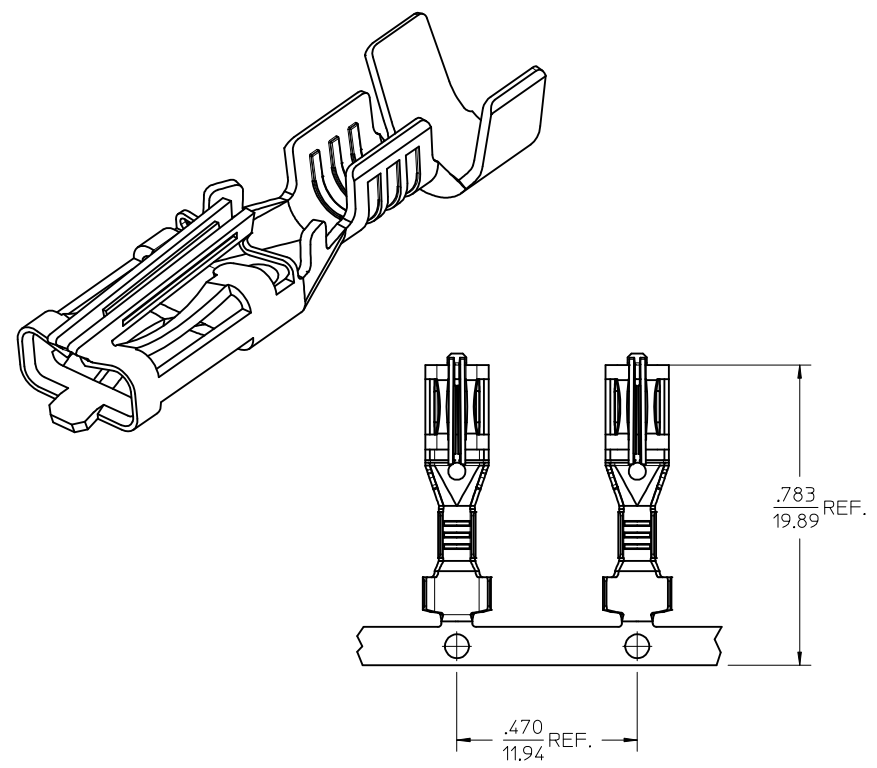
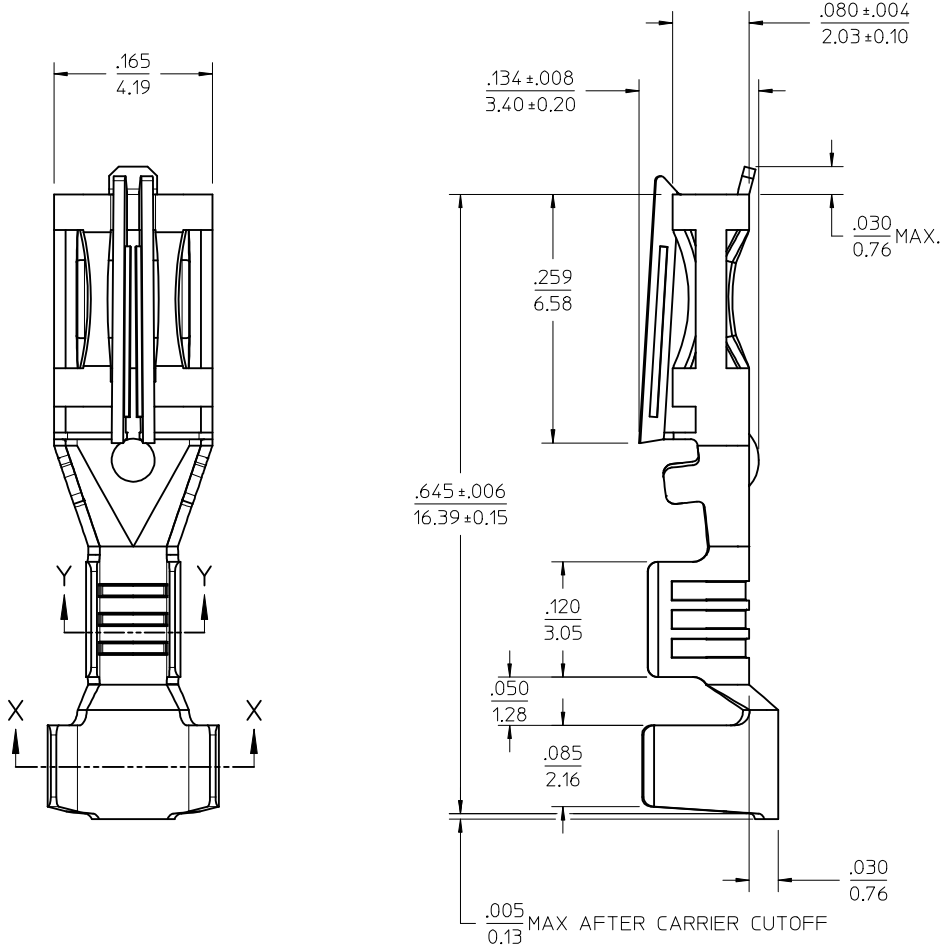
1. MATERIAL: C26000 BRASS.
2. FINISH: 20 MICRINCH (0.5 MICROMETER) MINIMUM HOT TIN DIP OVERALL.
3. PRODUCT SPECIFICATION: PS-43374-001
4. PACKAGING: TERMINALS WOUND ON 24" REELS WITH PAPER INTERLEAF.
5. THIS TERMINAL FOR USE WITH 18-20 AWG STRANDED WIRE, UL 1007 OR UL 1015 STYLES, .071-.112 INSULATION DIAMETER. FOR FURTHER INFORMATION REFER TO MOLEX APPLICATION TOOLING SPECIFICATION.
6. TERMINAL MATES TO .125/(3.18 WIDE X .020/(0.51) THICK FLAT BLADE TERMINALS OR MOLEX 43178 SERIES CRIMP TERMINALS.



SECTION Y-Y
CONDUCTOR CRIMP

SECTION X-X
INSULATION CRIMP

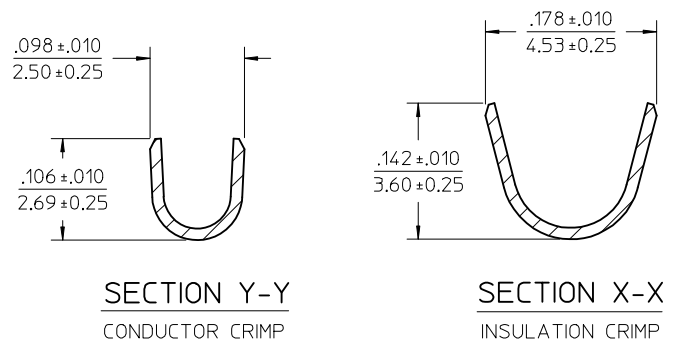
CORRECT TOLERANCE EC NO: UCP2014-5466 2014/07/09 DRWN:JDOX CHKD:ANDERSON 2014/07/09 APPR:FSMITH 2014/07/17	QUALITY SYMBOLS ▽=0 ▽=0 ▽=0	GENERAL TOLERANCES (UNLESS SPECIFIED)		DIMENSION STYLE		SCALE	DESIGN UNITS	THIRD ANGLE PROJECTION		
				IN/MM		10:1	INCH			
				mm	INCH	DRAWN BY	DATE	TITLE		
				4 PLACES ± ---	± ---	BWIRKUS	09-09-2009	SABRE 18-20AWG CRIMP FEM W/O TPA; .125 WIDE TAB; UL1007 OR 1015 WIRE		
REV A3	DESCRIPTION			3 PLACES ± ---	± .005	CHECKED BY	DATE	molex		
				2 PLACES ± 0.13	± .010	BWIRKUS	09-09-2009			
				1 PLACE ± 0.25	± ---	APPROVED BY	DATE	DOCUMENT NO. SD-43374-301		
				0 PLACE ± ---	± ---	APATEL	09-09-2009			SHEET NO. 1 OF 1
		ANGULAR ± ---°		MATERIAL NO. 433742001						
		DRAFT WHERE APPLICABLE MUST REMAIN WITHIN DIMENSIONS								
		SIZE C THIS DRAWING CONTAINS INFORMATION THAT IS PROPRIETARY TO MOLEX INCORPORATED AND SHOULD NOT BE USED WITHOUT WRITTEN PERMISSION								



CARRIER STRIP PROGRESSION

NOTES:

1. MATERIAL: C26000 BRASS.
2. FINISH: 20 MICRINCH (0.5 MICROMETER) MINIMUM HOT TIN DIP OVERALL.
3. PRODUCT SPECIFICATION: PS-43374-001
4. PACKAGING: TERMINALS WOUND ON 24" REELS WITH PAPER INTERLEAF.
5. THIS TERMINAL FOR USE WITH 18-20 AWG STRANDED WIRE, UL 1007 OR UL 1015 STYLES, .071-.112 INSULATION DIAMETER. FOR FURTHER INFORMATION REFER TO MOLEX APPLICATION TOOLING SPECIFICATION.
6. TERMINAL MATES TO .125/(3.18 WIDE X .020/(0.51) THICK FLAT BLADE TERMINALS OR MOLEX 43178 SERIES CRIMP TERMINALS.



CORRECT TOLERANCE EC NO: UCP2014-5466 2014/07/09 DRAWN: DFOX CHKD: BANDERSON 2014/07/09 APPR: FSMITH 2014/07/17	QUALITY SYMBOLS ▽=0 ▽=0 ▽=0	GENERAL TOLERANCES (UNLESS SPECIFIED)		DIMENSION STYLE		SCALE	DESIGN UNITS	THIRD ANGLE PROJECTION		
				IN/MM		10:1	INCH			
				mm	INCH	DRAWN BY		DATE		TITLE SABRE 18-20AWG CRIMP FEM W/O TPA; .125 WIDE TAB; UL1007 OR 1015 WIRE
				4 PLACES ± ---	± ---	BWIRKUS		09-09-2009		
				3 PLACES ± ---	± .005	CHECKED BY		DATE	DOCUMENT NO. SD-43374-301	
				2 PLACES ± 0.13	± .010	BWIRKUS		09-09-2009		
				1 PLACE ± 0.25	± ---	APPROVED BY		DATE	SHEET NO. 1 OF 1	
				0 PLACE ± ---	± ---	APATEL		09-09-2009		
				ANGULAR ± ---°		MATERIAL NO.				
				DRAFT WHERE APPLICABLE MUST REMAIN WITHIN DIMENSIONS		433742001				
				SIZE		THIS DRAWING CONTAINS INFORMATION THAT IS PROPRIETARY TO MOLEX INCORPORATED AND SHOULD NOT BE USED WITHOUT WRITTEN PERMISSION				
				A3						