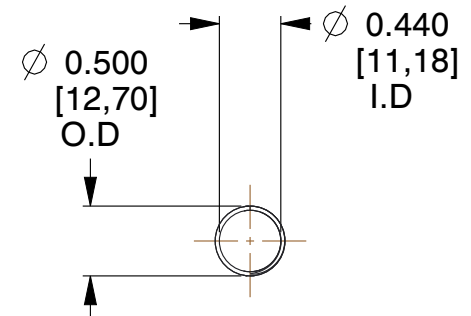
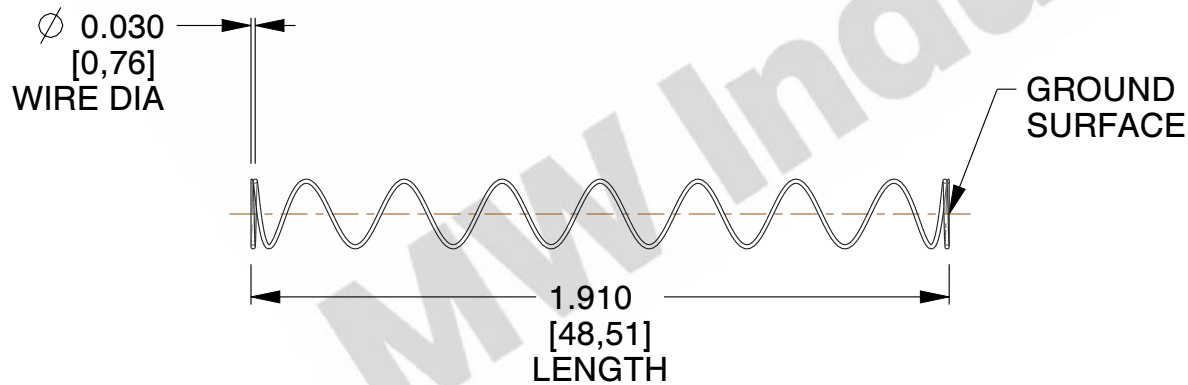


**NOTES:**

1. Material : Stainless Steel
2. Finish : Glod Irridite
3. Ends : Closed and Ground
4. Total Coils : 10.000
5. Sugg. Max. Deflection : 1.700 (in)
6. Sugg. Max. Load : 2.300 (lbs)
7. All Drawing Dimensions are in Inches [mm]



COMPONENT	SPRINGS	
<b>11772</b>  COMPRESSION SPRINGS	UNIT	INCH [mm]
	SHEET	1 of 1
	SCALE	0.727