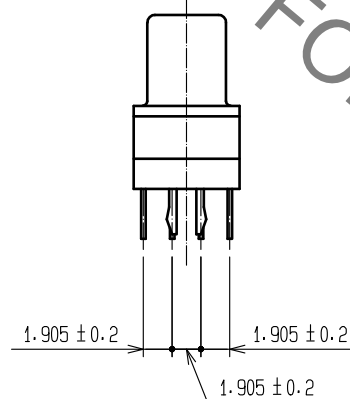
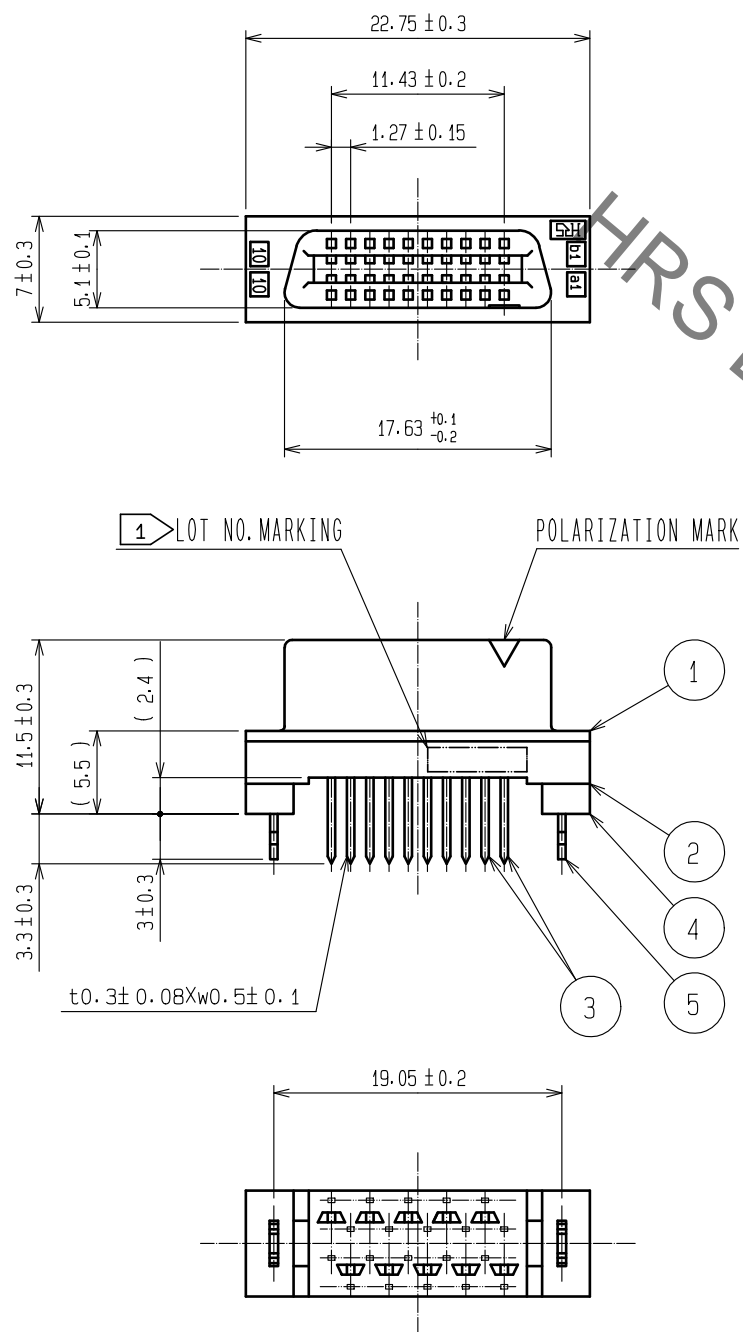
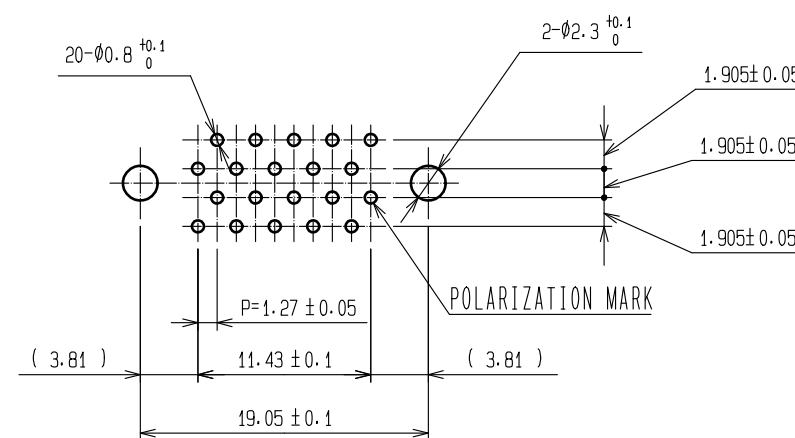


May.1.2023 Copyright 2023 HIROSE ELECTRIC CO., LTD. All Rights Reserved.
In case of consideration for using Automotive equipment / device which demand high reliability, kindly contact our sales window correspondents.



RECOMMENDED PC BOARD HOLE PATTERN (MOUNTING SIDE)

$t=1.6$



- NOTES
- LOT NO. MARKING SIDE SHALL BE OPTIONAL.
 - THE DIMENSIONS IN PARENTHESES ARE FOR REFERENCE.

5	PHOSPHOR BRONZE	TIN-PLATING	3	PHOSPHOR BRONZE	CONTACT AREA : GOLD $0.2 \mu\text{m}$ min.
	1, 2, 4	POLYAMIDE		BLACK Δ	DIP AREA : TIN-PLATING $2 \mu\text{m}$ min.
					UNDER PLATING : NICKEL $2 \mu\text{m}$ min.
NO.	MATERIAL	FINISH . REMARKS	NO.	MATERIAL	FINISH . REMARKS
UNITS mm		SCALE 2 : 1	COUNT 1	DESCRIPTION OF REVISIONS DIS-F-00015308	DESIGNED YU. NAKADA
HIROSE ELECTRIC CO., LTD.		APPROVED : HS. OKAWA	20070822	DRAWING NO.	EDC-083219-71-21
		CHECED : HS. OZAWA	20070822	PART NO.	FX2C2-20S-1.27DSAL(71)
		DESIGNED : KY. NAKAMURA	20070822	CODE NO.	CL0572-2471-2-71
		DRAWN : TP. MATSUMOTO	20070809		
		DATE	20220908	DATE	20220908