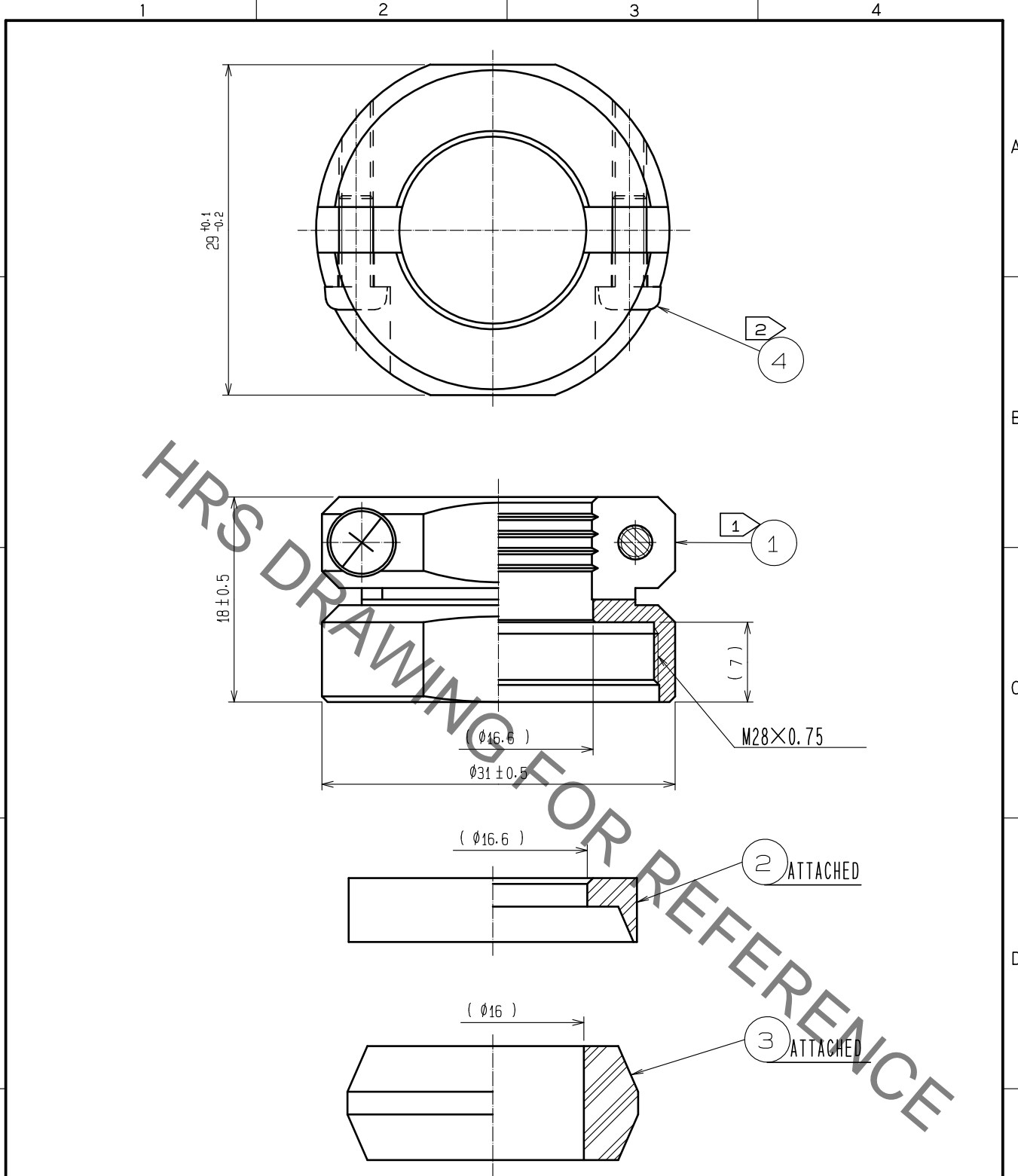


May.1.2023 Copyright 2023 HIROSE ELECTRIC CO., LTD. All Rights Reserved.
In case of consideration for using Automotive equipment / device which demand high reliability, kindly contact our sales window correspondents.



- NOTES
- ① THE RECOMMENDED CLAMP TORQUE OF REF.NO. ① TO BE 5 TO 5.5 N · m.
LOCTITE 263, HENKEL JAPAN OR EQUIVALENT IS RECOMMENDED TO PREVENT REF.NO. ① FROM LOOSENING.
 - ② THE RECOMMENDED CLAMP TORQUE OF REF.NO. ② TO BE 0.65 TO 0.7 N · m.
 - ③ THE CABLE PULL AND TWISTING STRENGTH AND OTHER CHARACTERISTICS MAY DIFFER, DEPENDING ON THE CABLE STRUCTURE. PLEASE CONFIRM BEFORE THE USE.

2	PPS	(BLACK) UL94V-0	4	STAINLESS STEEL	M3X0.5XB
1	BRASS	BLACK CHROME PLATING	3	ACRYLONITRILE BUTADIENE RUBBER	(GRAY)
NO.	MATERIAL	FINISH , REMARKS	NO.	MATERIAL	FINISH , REMARKS

UNITS mm		SCALE 2 : 1	COUNT 	DESCRIPTION OF REVISIONS	DESIGNED	CHECKED	DATE
HRS HIROSE ELECTRIC CO., LTD.		APPROVED : HY. KOBAYASHI 18.02.26	DRAWING NO.	EDC-110617-31-00			
		CHECKED : HY. KOBAYASHI 18.02.26	PART NO.	JR25WCC-16(31)			
		DESIGNED : TH. KAMEYA 18.02.23	CODE NO.	CL114-2067-3-31			
		DRAWN : MK. INOUE 18.02.14					1/1