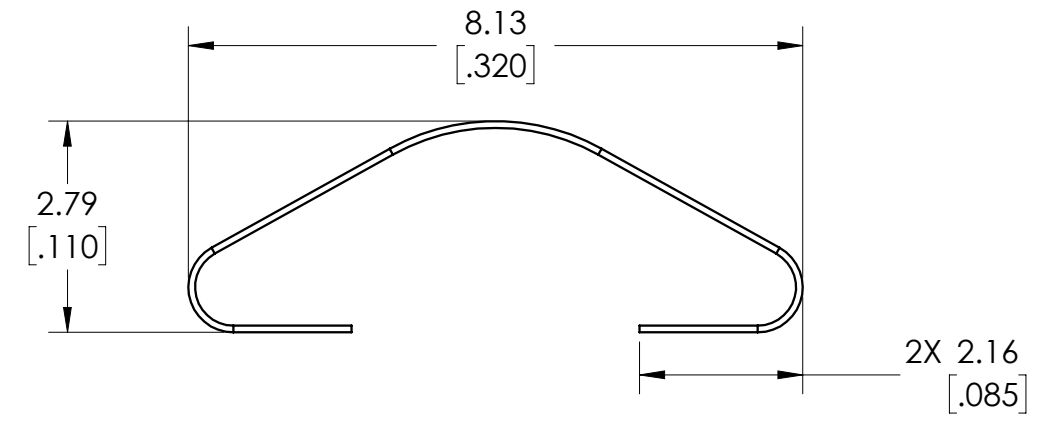
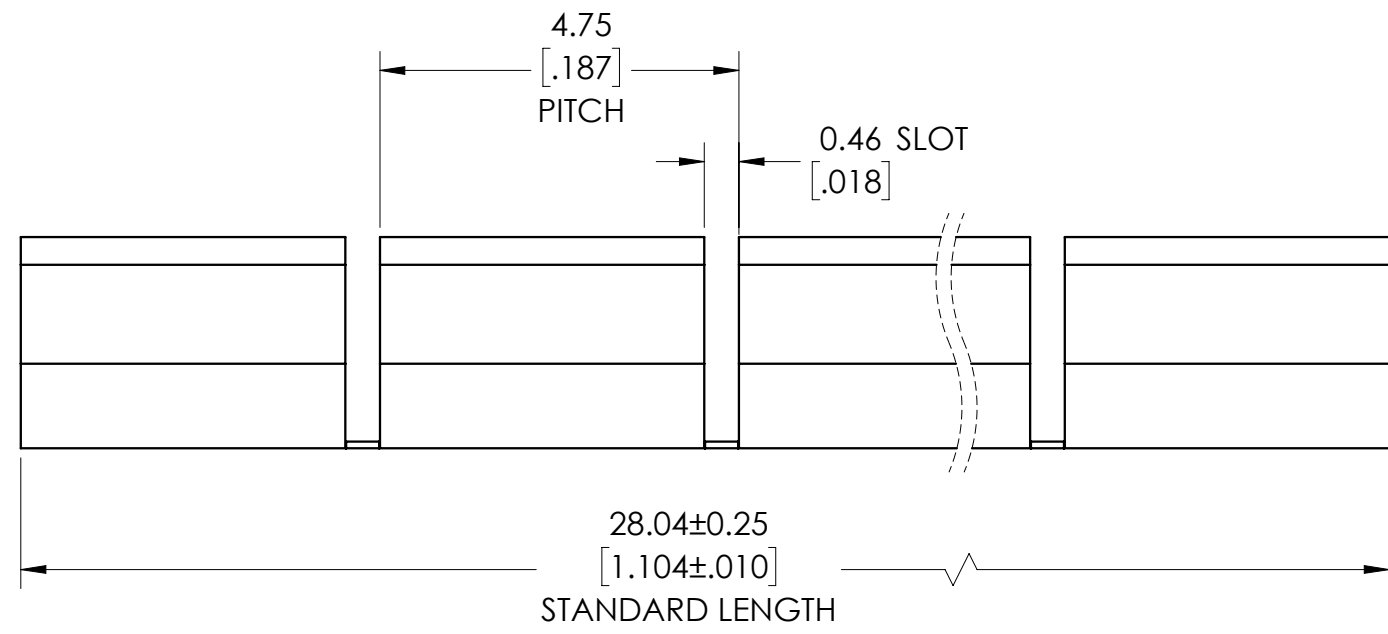


8	7	6	5
BASE PART NUMBER	THICKNESS	MATERIAL	STANDARD LENGTH PART NUMBER
0077-0044 (STANDARD)	0.089 ± 0.005 [0.0035]	BeCu ALLOY 25 TH01	0077004402
0078-0044 (ULTRASOFT)	0.051 ± 0.005 [0.0020]	BeCu ALLOY 25 TH01	0078004402

PLATING CODE TABLE	
NUMBER CODE	PLATING TYPE
02	BRIGHT FINISH
17	BRIGHT TIN
19	BRIGHT NICKEL
MORE PLATING OPTIONS AVAILABLE CONTACT LAIRD SALES FOR DETAILS	



PART NUMBER CONFIGURATION:  
007X 0044 XX

7 FOR STANDARD  
8 FOR ULTRASOFT

PLATING CODE  
(SEE TABLE)

EXAMPLE: 0078004417  
ULTRASOFT, BRIGHT TIN PLATING

UNITS: MM [INCH]	<b>Laird</b>	LAIRD DRAWING NUMBER: <b>0077-0044-SALES</b>
TOLERANCES: X.X = ± 0.4 X.XX = ± 0.2 X.XXX = ± 0.1		THIS IS AN UNCONTROLLED SALES DRAWING. THE DIMENSIONAL CHARACTERISTICS AND TOLERANCES OF THIS PART SHOWN ON THIS DRAWING AS A REFERENCE TO THE DIMENSIONAL SPECIFICATIONS OF THE LAIRD STANDARD PRODUCTION DRAWING FOR THIS PART. ANY SUBSEQUENT CHANGES TO THE STANDARD PART SPECIFICATION WILL SUPERSEDE THIS SALES DRAWING.
ANGULAR: X° = ± 3° X.X° = ± 1.0°	3RD ANGLE PROJECTION	DESIGNED IN SOLIDWORKS
	SCALE: 10:1	SHEET 1 OF 1
	SIZE <b>B</b>	