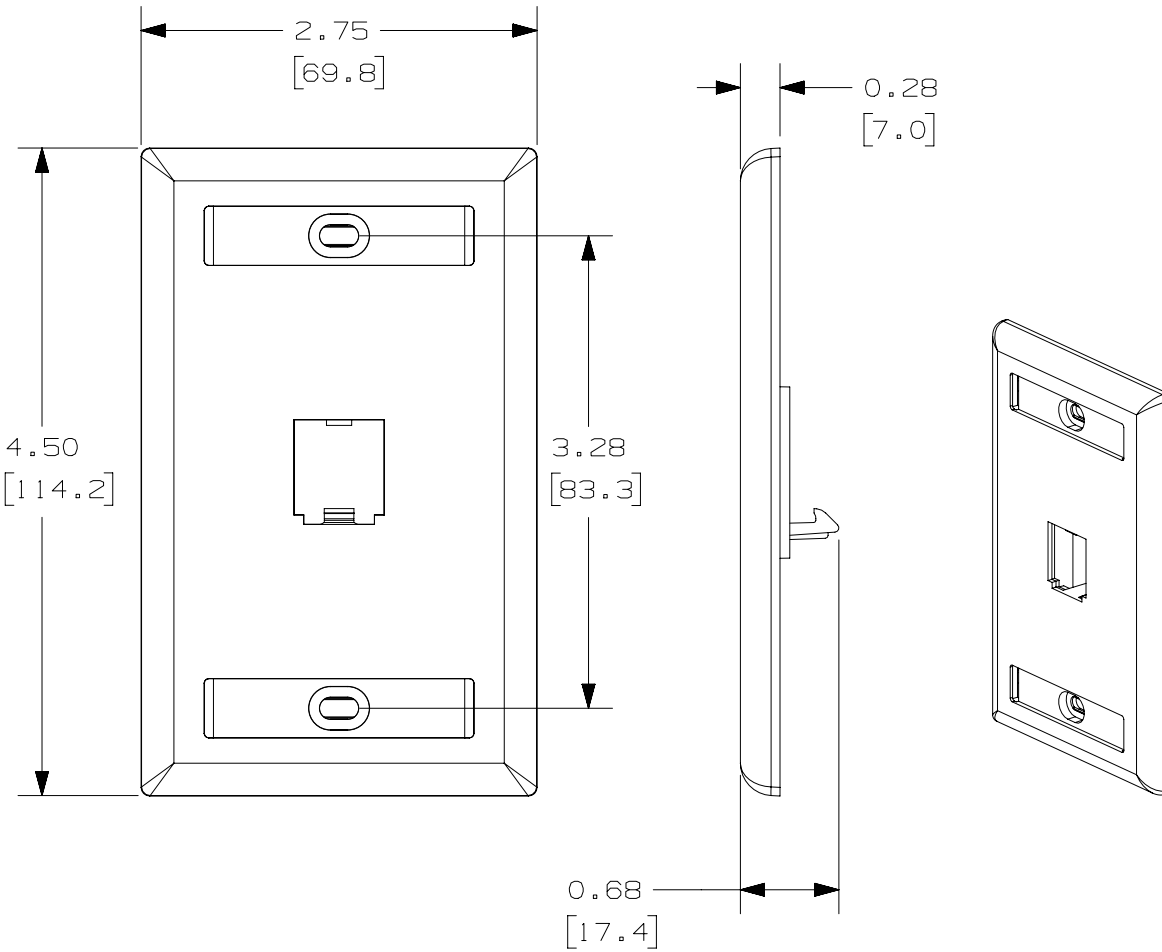


THIS COPY IS PROVIDED ON A RESTRICTED BASIS AND IS NOT TO BE USED IN ANY WAY DETRIMENTAL TO THE INTERESTS OF PANDUIT CORP.



PANDUIT P/N	WEIGHT
CFPL1**Y	.60 LB/10 PCS. (273.9 G/10 PCS.)

NOTES:

- SEE CURRENT CATALOG FOR ADDITIONAL PART NUMBER SUFFIXES TO INDICATE COLOR AND OR PACKAGE QUANTITY.
- SEE CATALOG FOR COMPLETE LIST OF PARTS APPLICABLE FOR USE WITH THIS PART.
- PART INCLUDES:
  - 1- FACEPLATE
  - 2- MOUNTING SCREW
  - 2- LABEL
  - 2- LABEL COVER
- DIMENSIONS IN [ ] ARE IN METRIC.

PRODUCT SPEC	N/A	PACKAGING SPEC	N/A
PART NUMBER	CFPL1**Y	WORK INSTRUCTION	N/A
INSPECTION INSTRUCTION NUMBER	N/A	FMEA & CONTROL PLAN NUMBER	N/A

TITLE		MINI-COM 1 POSITION VERTICAL CLASSIC SERIES FACEPLATE WITH LABEL/COVER	
CUSTOMER DRAWING			
ITEM REVISION NAME	00128LAB/00	<b>PANDUIT</b>	
DATASET FILE NAME	00128LAB_DC02/00A		
UNLESS OTHERWISE SPECIFIED, DIMENSIONAL TOLERANCES ARE: IN [ mm ]		MATERIAL:	
.x ± .1 [ 2.54 ]      .xxx ± .005 [ .127 ]		ABS	
.xx ± .01 [ .25 ]      ANGLES ± 5 °		DRAWING NUMBER:	
THIRD ANGLE PROJECTION		00128LAB-02	
DRAWN BY	DATE	CHK	SCALE
BJN	10-26-16	SCAL	NONE
SHT 1 OF 1		A	

REV	DATE	BY	CHK	APR	DESCRIPTION	ECN
R	10-26-16	BJN	SCAL	MMR	RELEASED TO PRODUCTION	00128LAB-02

D10100DA/20

2

1

2

1