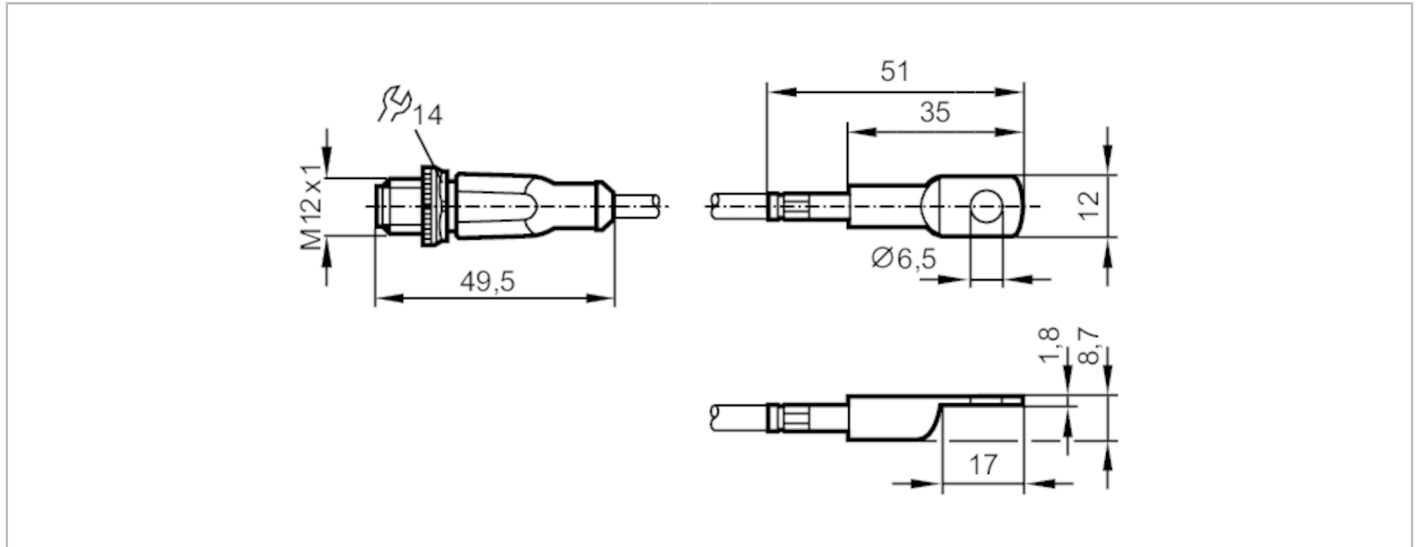


# TS2229



## Temperature cable sensor with bolt-on sensor

TS-PT100 CONTACT SENSOR



Product characteristics		
Measuring range	-40...90 °C	-40...194 °F
Process connection	bolt-on sensor 12 x 8,7 x 51 mm	
Application		
Special feature	Gold-plated contacts	
Measuring element	1 x Pt 100; (to DIN EN 60751, class A)	
Installation	surface mount RTD for solid bodies	
Electrical data		
Insulation rating [V]	2500; (insulation between sensor housing and internal structure of the sensor)	
Protection class	III	
Measuring/setting range		
Measuring range	-40...90 °C	-40...194 °F
Accuracy / deviations		
Accuracy [K]	± (0,15 K + 0,002 x t )	
Response times		
Dynamic response T05 / T09 [s]	9 / 15; (values for a flat aluminium surface (anodised) using a conductive heat paste; reference values for moving water : 10 / 24 (< 0,1 m/s))	
Operating conditions		
Protection	IP 67	
Tests / approvals		
MTTF [years]	11415.5	
Mechanical data		
Weight [g]	88.5	
Housing	bolt-on sensor	
Dimensions [mm]	12 x 8,7 x 51	
Materials	stainless steel (1.4303 / 305 / 308); copper nickel-plated	
Process connection	bolt-on sensor 12 x 8,7 x 51 mm	

# TS2229



## Temperature cable sensor with bolt-on sensor

TS-PT100 CONTACT SENSOR

### Remarks

Pack quantity

1 pcs.

### Electrical connection

Cable: 2 m, PUR,  $\varnothing$  4.9 mm; 4 x 0.34 mm<sup>2</sup> (42 x  $\varnothing$  0.1 mm )

Connector: 1 x M12; coding: A; Contacts: gold-plated



### Connection

