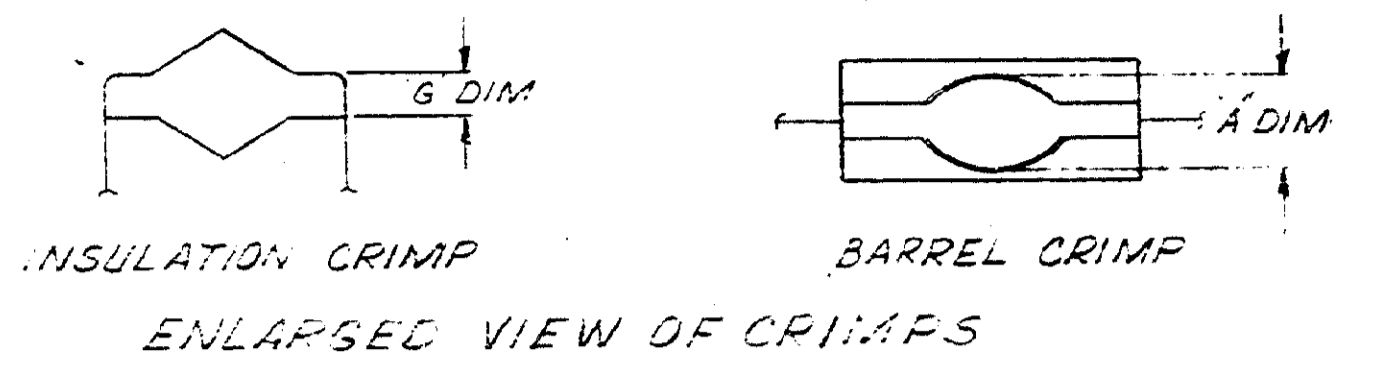
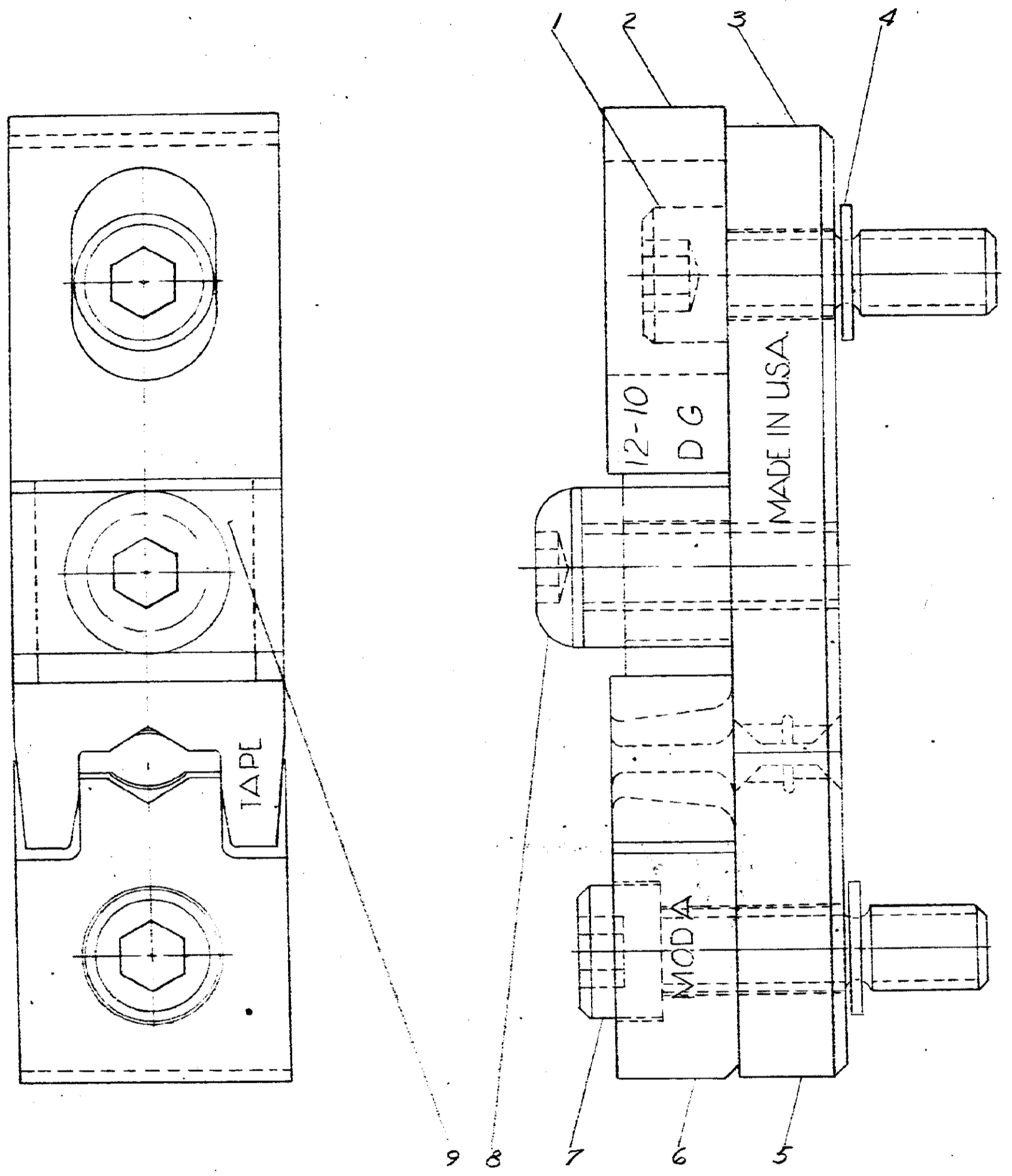
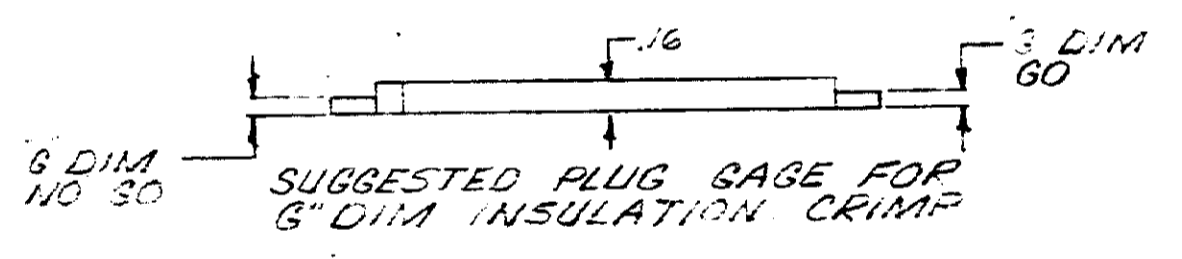
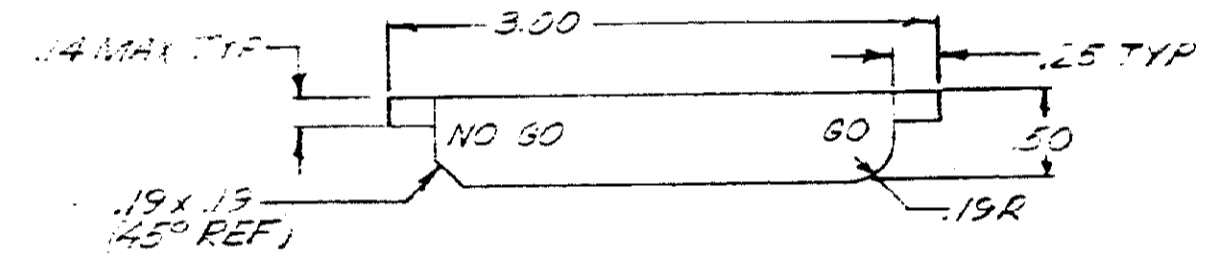
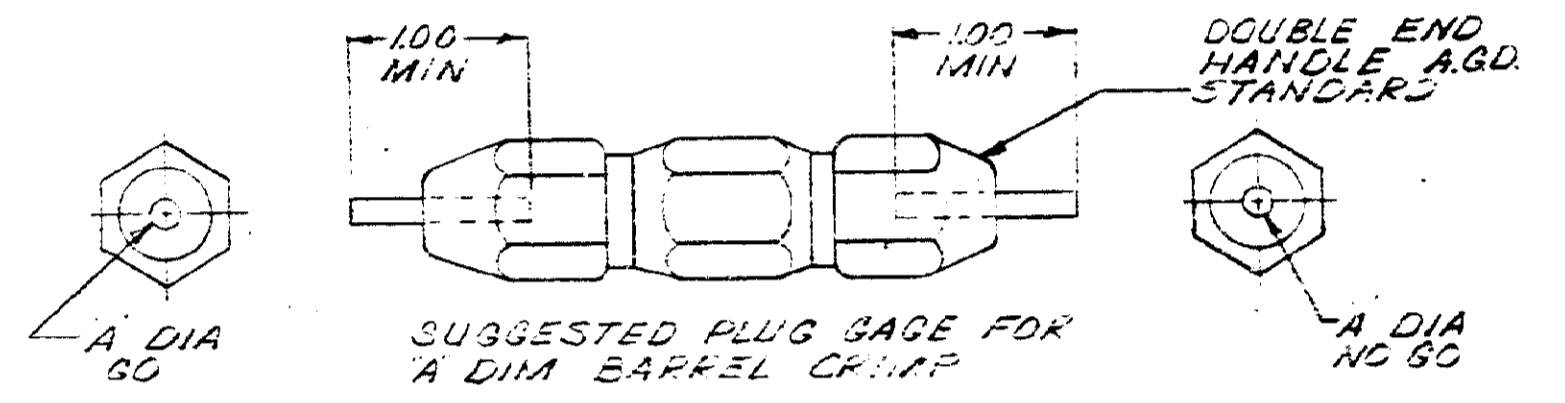


69905

PLUG GAGE DIMENSIONS APPLY WHEN TOOL IS BOTTOMED BUT NOT UNDER PRESSURE.



G DIM AT POS #1		A DIM	
GO	NO GO	GO	NO GO
.152	.072	.151	.137



SUPERSEDED BY IS-2423

1	307275-2	SADDLE	9
1	3-59577-3	SCREW (10-32 UNF-3A X .595 LONG)	8
1	59781-5	SCREW-SPECIAL	7
1	3-59619-0	ANVIL-INSULATION	6
1	307213-1	INSERT-BARREL-LOWER	5
2	1-21046-3	RING-RETAINING	4
1	307212-1	INSERT-BARREL-UPPER	3
1	307276-3	INDENTER-INSULATION	2
1	1-59781-3	SCREW	1

QTY	SIZE	NUMBER	NAME	REMARKS	ITEM NO.
REQUIRED PER ASSEMBLY					
©1969 BY AMP INCORPORATED. ALL RIGHTS RESERVED. AMP PRODUCTS COVERED BY PATENTS AND/OR PATENTS PENDING.					
DR B Shenfeld 12-15-69 12-17-69 12-17-69			AMP AMP INCORPORATED HARRISBURG, PENNA.		
WIRE - RANGE - INSULATION TYPE 12-10 + + CROSS CRIMP DG			USED ON 69875		
TOLERANCE EXCEPT AS NOTED = ± .010			SCALE 4-1 MAG 69905		
NAME DIE ASSEMBLY MODA					

REV	DESCRIPTION	DATE
1	REVISED	12-17-69
2	REVISED	12-17-69



DIMENSIONS IN INCHES. DO NOT SCALE PRINT.