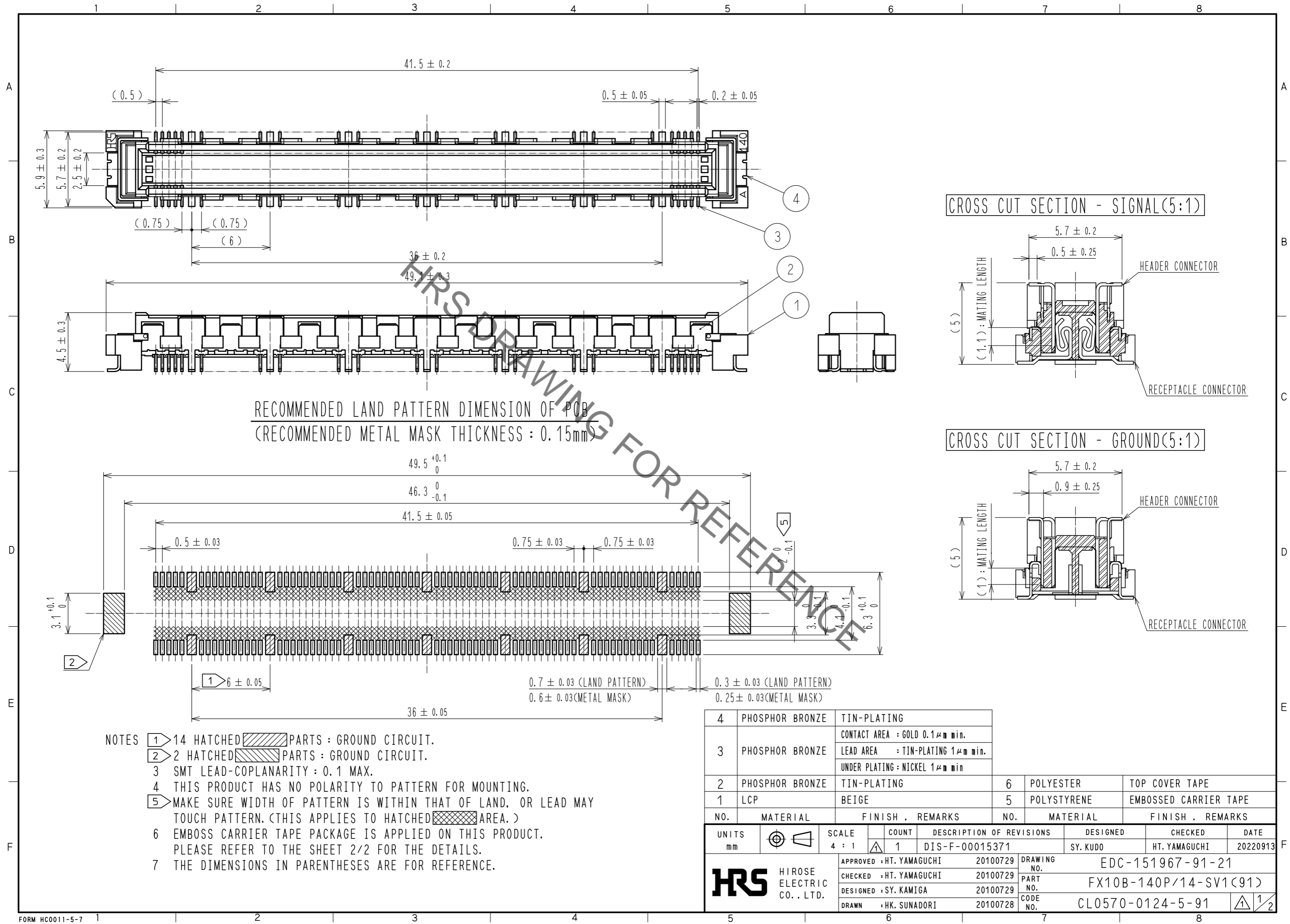


May.1.2023 Copyright 2023 HIROSE ELECTRIC CO., LTD. All Rights Reserved.  
In case of consideration for using Automotive equipment / device which demand high reliability, kindly contact our sales window correspondents.



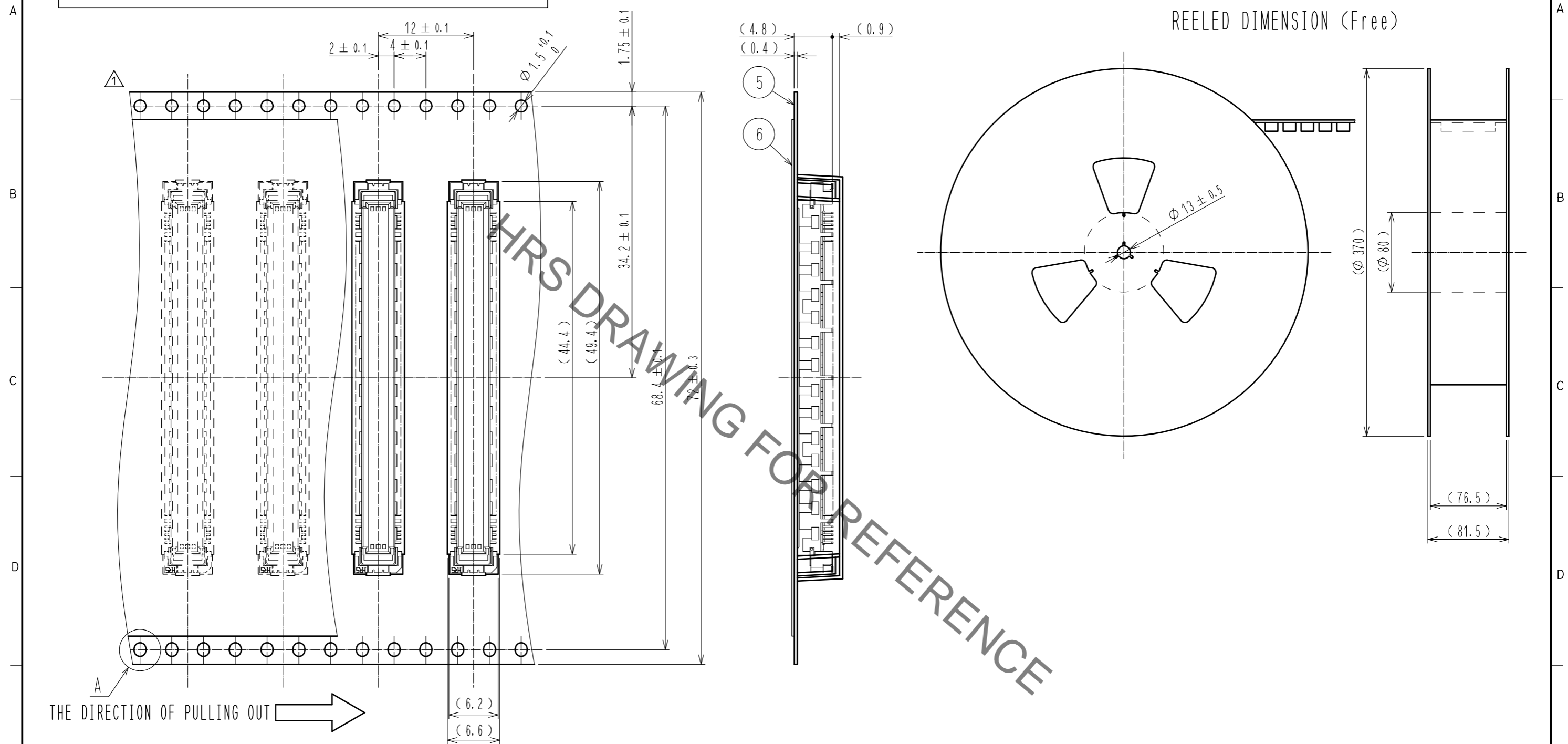
- NOTES
- ① 14 HATCHED PARTS : GROUND CIRCUIT.
  - ② 2 HATCHED PARTS : GROUND CIRCUIT.
  - 3 SMT LEAD-COPLANARITY : 0.1 MAX.
  - 4 THIS PRODUCT HAS NO POLARITY TO PATTERN FOR MOUNTING.
  - ⑤ MAKE SURE WIDTH OF PATTERN IS WITHIN THAT OF LAND, OR LEAD MAY TOUCH PATTERN. (THIS APPLIES TO HATCHED AREA.)
  - 6 EMBOSS CARRIER TAPE PACKAGE IS APPLIED ON THIS PRODUCT. PLEASE REFER TO THE SHEET 2/2 FOR THE DETAILS.
  - 7 THE DIMENSIONS IN PARENTHESES ARE FOR REFERENCE.

4	PHOSPHOR BRONZE	TIN-PLATING			
3	PHOSPHOR BRONZE	CONTACT AREA : GOLD 0.1μm min. LEAD AREA : TIN-PLATING 1μm min. UNDER PLATING : NICKEL 1μm min			
2	PHOSPHOR BRONZE	TIN-PLATING	6	POLYESTER	TOP COVER TAPE
1	LCP	BEIGE	5	POLYSTYRENE	EMBOSSED CARRIER TAPE
NO.	MATERIAL	FINISH . REMARKS	NO.	MATERIAL	FINISH . REMARKS
UNITS	mm	SCALE	4 : 1	COUNT	1
DESCRIPTION OF REVISIONS			DESIGNED	SY. KUDO	CHECKED
DIS-F-00015371			DATE	HT. YAMAGUCHI	20220913
APPROVED : HT. YAMAGUCHI 20100729			DRAWING NO. EDC-151967-91-21		
CHECKED : HT. YAMAGUCHI 20100729			PART NO. FX10B-140P/14-SV1(91)		
DESIGNED : SY. KAMIGA 20100729			CODE NO. CL0570-0124-5-91		
DRAWN : HK. SUNADORI 20100728			1/2		

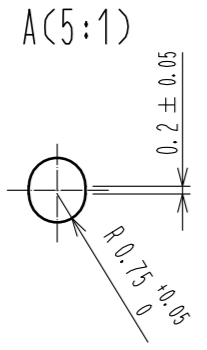
May.1.2023 Copyright 2023 HIROSE ELECTRIC CO., LTD. All Rights Reserved.  
 In case of consideration for using Automotive equipment / device which demand high reliability, kindly contact our sales window correspondents.

# DRAWING FOR PACKING(2:1)

REELED DIMENSION (Free)



THE DIRECTION OF PULLING OUT



- NOTES 8 1REEL : 1000 CONNECTORS.  
 9 MINIMUM 10 COMPARTMENTS FROM BOTH REEL ENDS REMAIN EMPTY.  
 10 THIS PRODUCT HAS NO POLARITY TO TAPE AND REEL PACKAGING.  
 11 THE DIMENSIONS IN PARENTHESES ARE FOR REFERENCE.

<b>HRS</b>	DRAWING NO.	EDC-151967-91-21		2/2
	PART NO.	FX10B-140P/14-SV1(91)		
	CODE NO.	CL0570-0124-5-91		