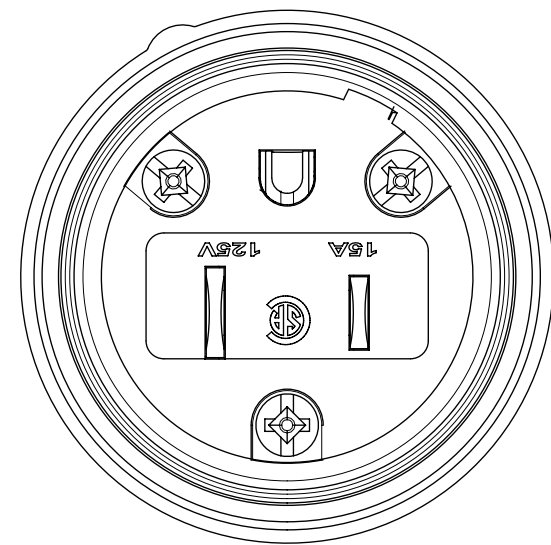
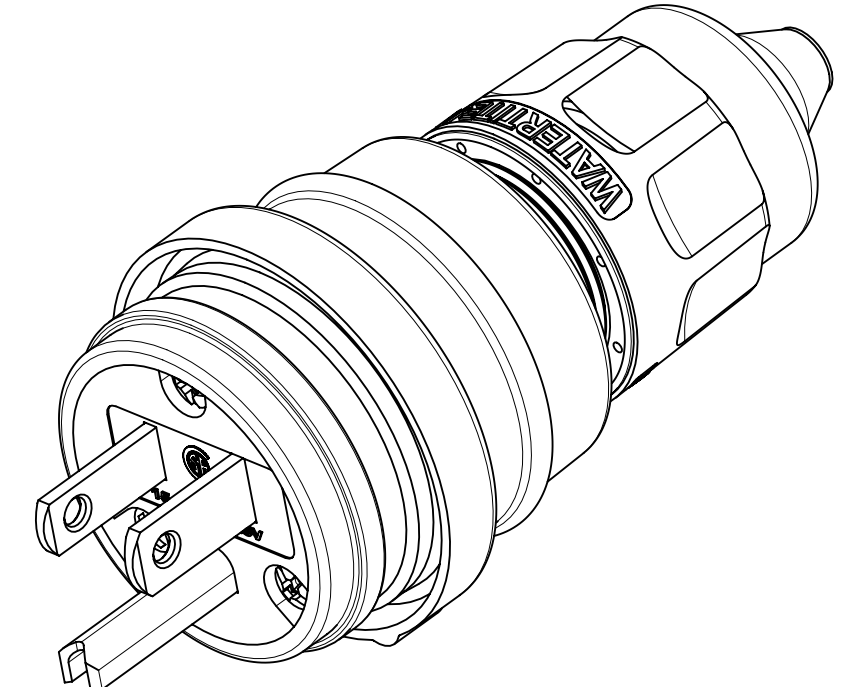
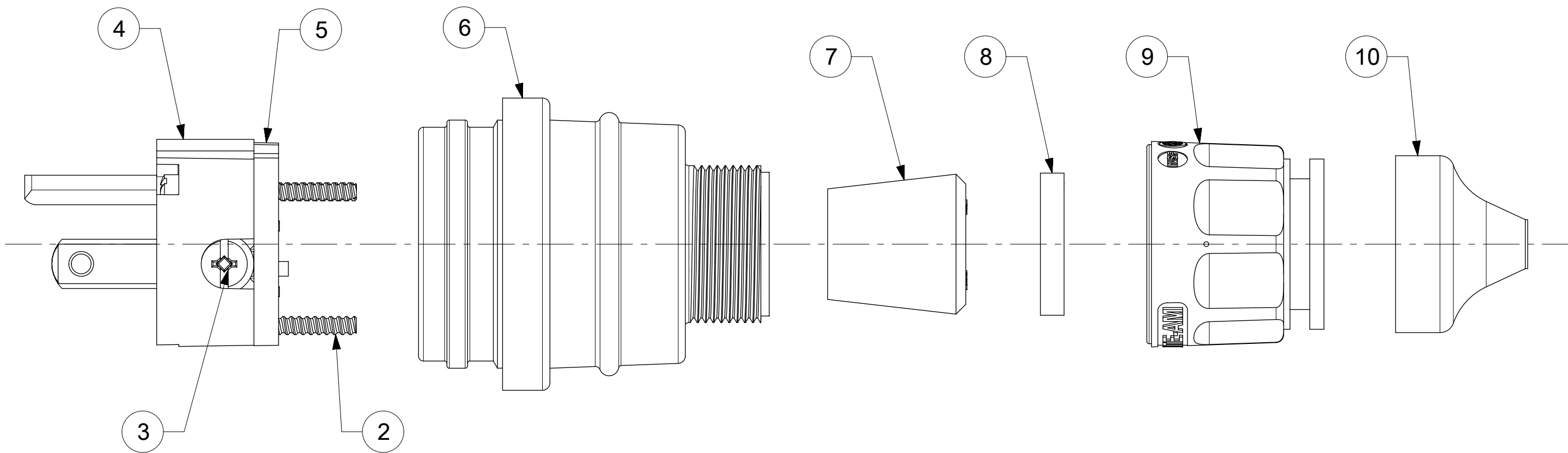
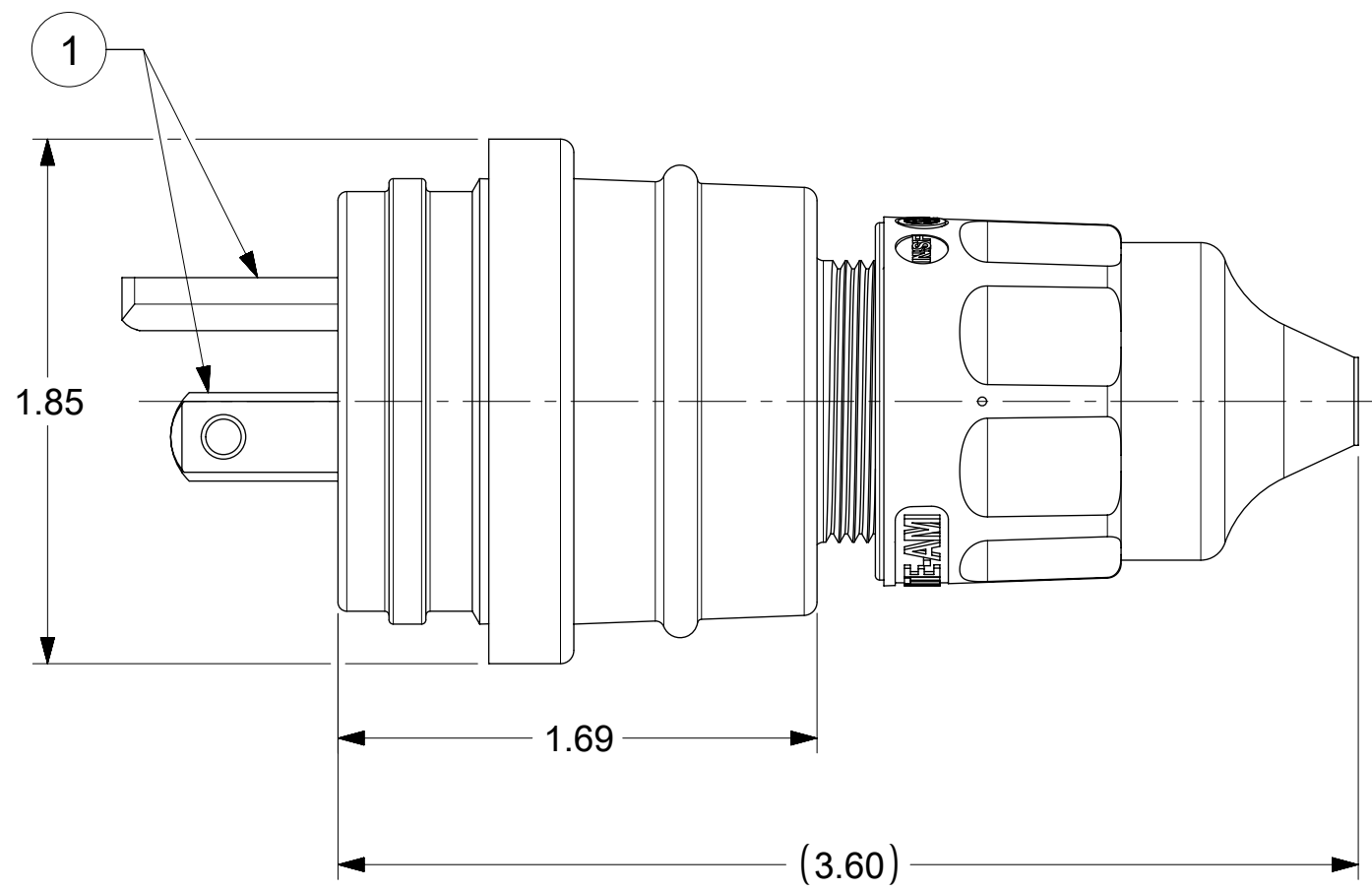


ORDER NO.	WOODHEAD NO.	COLOR
130146-0031	14W47	YELLOW
130146-0032	14W47BLK	BLACK
130146-0317	14W47-ICE	BLUE



FACE VIEW



- NOTES:**
- SEE INSTRUCTION SHEET NUMBER 1301414770 FOR PRODUCT SPECIFICATION.
 - CABLE RANGE FROM 0.375" TO 0.625"

ITEM NO.	DESCRIPTIONS	MATERIAL	QTY.
1	BLADES	BRASS	3
2	RETAINING SCREWS	STAINLESS STEEL	3
3	TERMINAL SCREWS	BRASS, ZINC PLATED	3
4	INSERT	NYLON	1
5	TERMINAL COVER	POLYCARBONATE	1
6	HOUSING	SILICONE WITH NYLON THREAD	1
7	GROMMETS	RUBBER	5
8	FRICTION RING	NYLON	1
9	COMPRESSION NUT	NYLON	1
10	CABLE GLOVE	SILICONE	1

FUNCTIONAL SYMBOLS $\nabla_A = 0$ $\nabla_C = 0$ $\nabla_P = 0$	THIS DRAWING CONTAINS INFORMATION THAT IS PROPRIETARY TO MOLEX ELECTRONIC TECHNOLOGIES, LLC AND SHOULD NOT BE USED WITHOUT WRITTEN PERMISSION		CURRENT REV DESC: ADDED 130146-0317 TO THE TABLE.		
	DIMENSION UNITS INCH	SCALE NTS	<div style="text-align: center; font-size: 2em; font-weight: bold;">molex</div> <p>WATERTITE PLUG, 5-15P</p> <p>PRODUCT CUSTOMER DRAWING</p>		
	GENERAL TOLERANCES (UNLESS SPECIFIED)				
	ANGULAR TOL ± °				
4 PLACES ±					
DIVISIONAL SYMBOLS 3 PLACES ± 2 PLACES ± 1 PLACE ± 0 PLACES ±	DRWN: DNGUYEN62 2022/02/09 CHK'D: WLEUNG 2022/02/15 APPR: JFMURPHY 2022/03/15		EC NO: 695188 DRWN: NVELUSAMY 2018/10/26 APPR: HKNEELAND 2019/02/11		
	DRAFT WHERE APPLICABLE MUST REMAIN WITHIN DIMENSIONS		THIRD ANGLE PROJECTION		
	DRAWING SERIES C-SIZE 130146		DOCUMENT NUMBER 1301460031		
	MATERIAL NUMBER SEE TABLE		CUSTOMER GENERAL MARKET		
DOCUMENT STATUS P1 RELEASE DATE 2022/03/15 02:28:16		DOC TYPE PSD		DOC PART 000	
SHEET NUMBER 1 OF 1		REVISION B		SHEET NUMBER 1 OF 1	