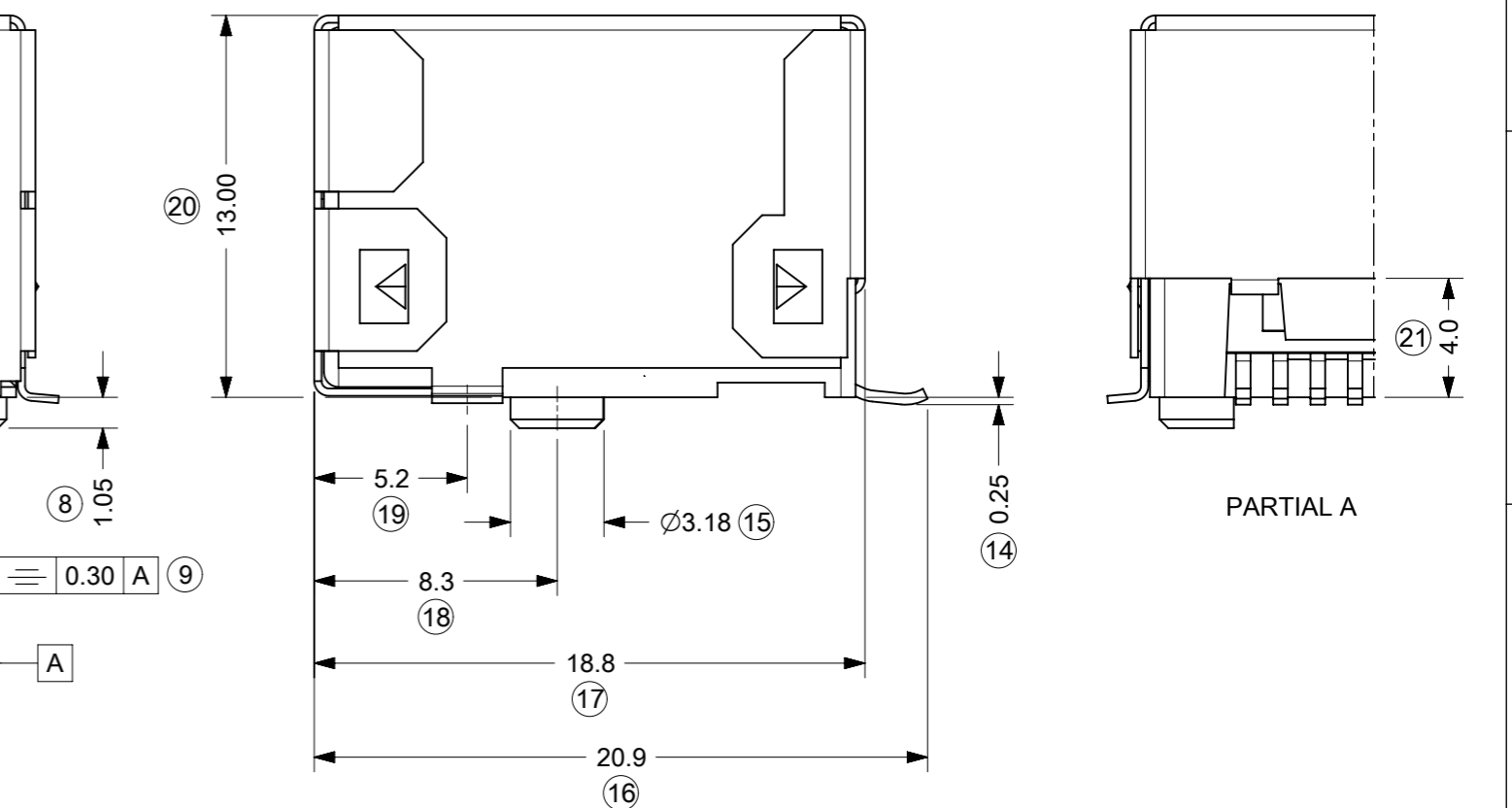
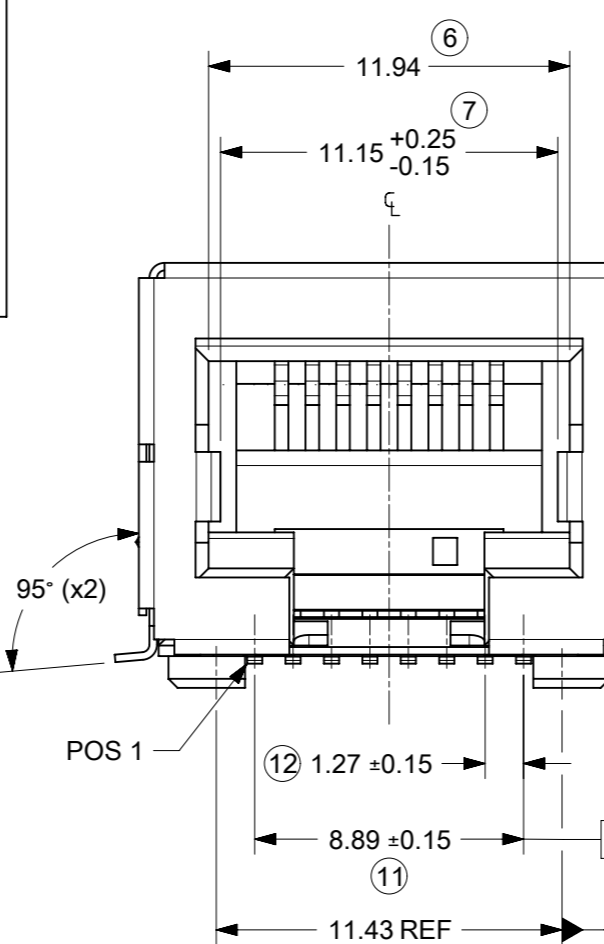


- NOTES:**
- JACK FOR MATING WITH SHIELDED PLUG (MOLEX 95043 AND 85568 SERIES)
 - PRODUCT SPECIFICATION: PS-95622-001
 - PACKAGING SPECIFICATION: PK-95122-002 (TAPE AND REEL).
 - COPLANARITY OF SIGNAL LEADS: 0.10MAX
 - RECOMMENED PCB THICKNESS 1.57

LAST INSPECTION NUMBER: 22
REMOVED INSPECTION NO: 10

TECHNICAL SPECIFICATIONS:
MATERIAL:
HOUSING: LCP GLASS FILLED UL 94-V0
COLOUR BLACK.
TERMINAL: COPPER ALLOY PLATED WITH:
BASE FINISH: NICKEL
CONTACT SURFACE FINISH:
GOLD,
OR
GOLD FLASH OVER PALLADIUM NICKEL.
EXCEEDS PRODUCT REQUIREMENTS BASED ON PS-95622-001

SHIELD: COPPER ALLOY PLATED WITH TIN.



FUNCTIONAL SYMBOLS	THIS DRAWING CONTAINS INFORMATION THAT IS PROPRIETARY TO MOLEX ELECTRONIC TECHNOLOGIES, LLC AND SHOULD NOT BE USED WITHOUT WRITTEN PERMISSION	CURRENT REV DESC: ADDED PANEL CUTOUT																														
	<table border="1"> <tr> <th>FUNCTIONAL SYMBOLS</th> <th>DIMENSION UNITS</th> <th>SCALE</th> </tr> <tr> <td>$\nabla_A = 0$</td> <td>mm</td> <td>4:1</td> </tr> <tr> <td colspan="3">GENERAL TOLERANCES (UNLESS SPECIFIED)</td> </tr> <tr> <td>$\nabla_E = 0$</td> <td colspan="2">ANGULAR TOL $\pm 2.0^\circ$</td> </tr> <tr> <td>$\nabla_F = 0$</td> <td colspan="2">4 PLACES \pm</td> </tr> <tr> <td></td> <td colspan="2">3 PLACES \pm</td> </tr> <tr> <td></td> <td colspan="2">2 PLACES ± 0.25</td> </tr> <tr> <td></td> <td colspan="2">1 PLACE ± 0.35</td> </tr> <tr> <td></td> <td colspan="2">0 PLACES \pm</td> </tr> </table>	FUNCTIONAL SYMBOLS	DIMENSION UNITS				SCALE	$\nabla_A = 0$	mm	4:1	GENERAL TOLERANCES (UNLESS SPECIFIED)			$\nabla_E = 0$	ANGULAR TOL $\pm 2.0^\circ$		$\nabla_F = 0$	4 PLACES \pm			3 PLACES \pm			2 PLACES ± 0.25			1 PLACE ± 0.35			0 PLACES \pm		EC NO: 735778 DRWN: ASWINA CHK'D: KLANG APPR: KLANG 2022/12/26 2023/01/27 2023/01/27
FUNCTIONAL SYMBOLS	DIMENSION UNITS	SCALE																														
$\nabla_A = 0$	mm	4:1																														
GENERAL TOLERANCES (UNLESS SPECIFIED)																																
$\nabla_E = 0$	ANGULAR TOL $\pm 2.0^\circ$																															
$\nabla_F = 0$	4 PLACES \pm																															
	3 PLACES \pm																															
	2 PLACES ± 0.25																															
	1 PLACE ± 0.35																															
	0 PLACES \pm																															
DIVISIONAL SYMBOLS	DRAFT WHERE APPLICABLE MUST REMAIN WITHIN DIMENSIONS		THIRD ANGLE PROJECTION 	DRAWING A3-SIZE	SERIES 95622	MATERIAL NUMBER SEE CHART	CUSTOMER GENERAL MARKET	SHEET NUMBER 1 OF 1																								
INITIAL REVISION: DRWN: DBYRNES APPR: EFOLAN 2009/11/20 2011/05/24			DOCUMENT NUMBER SD-95622-012			DOC TYPE PSD	DOC PART 001	REVISION F3																								