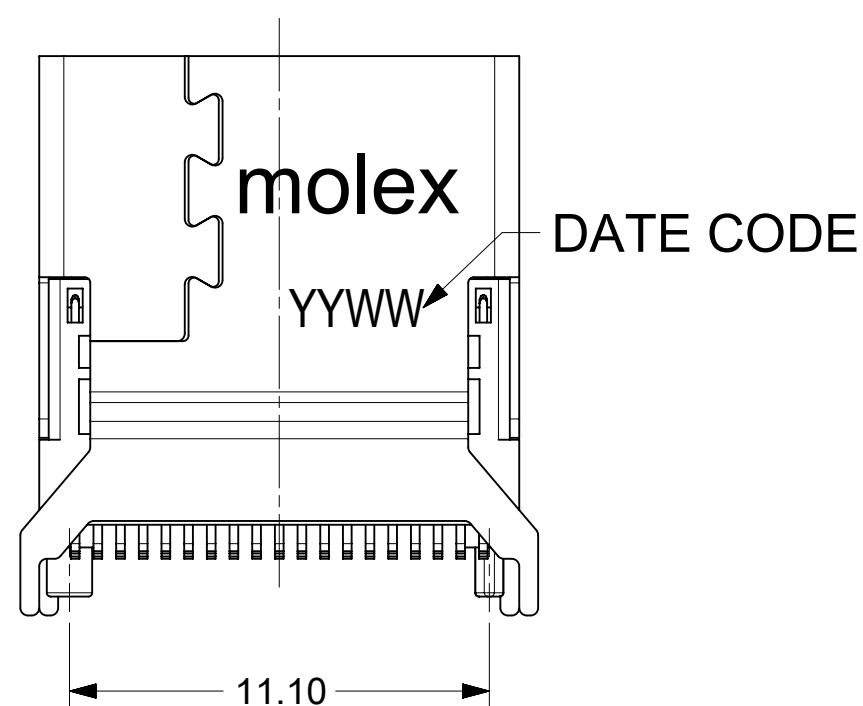
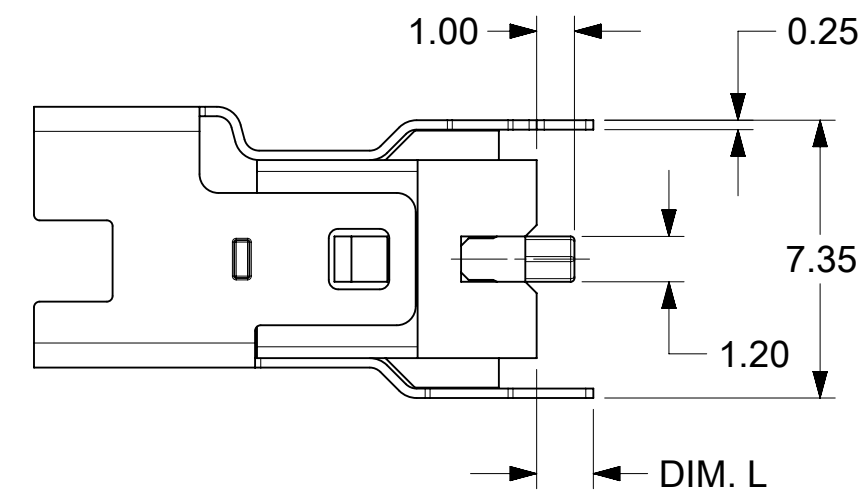
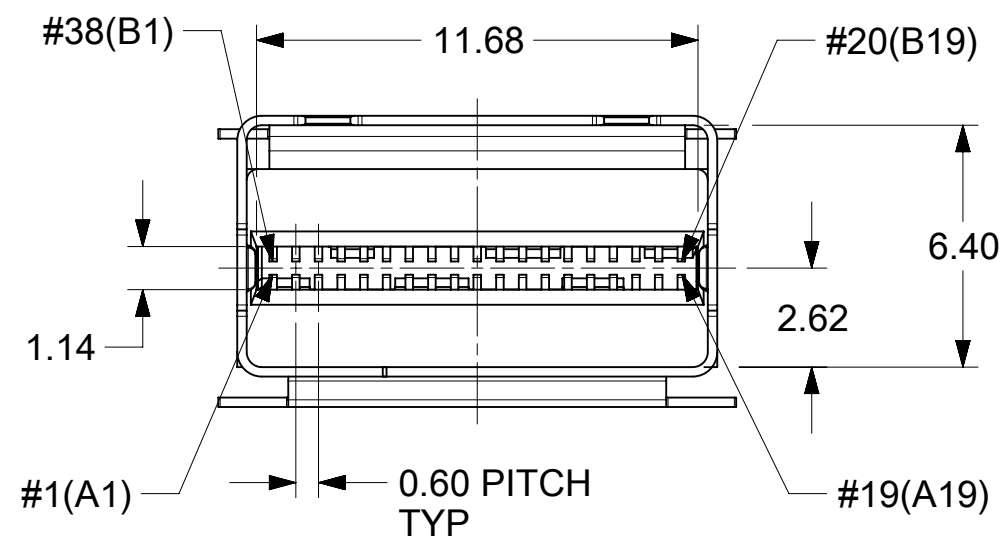
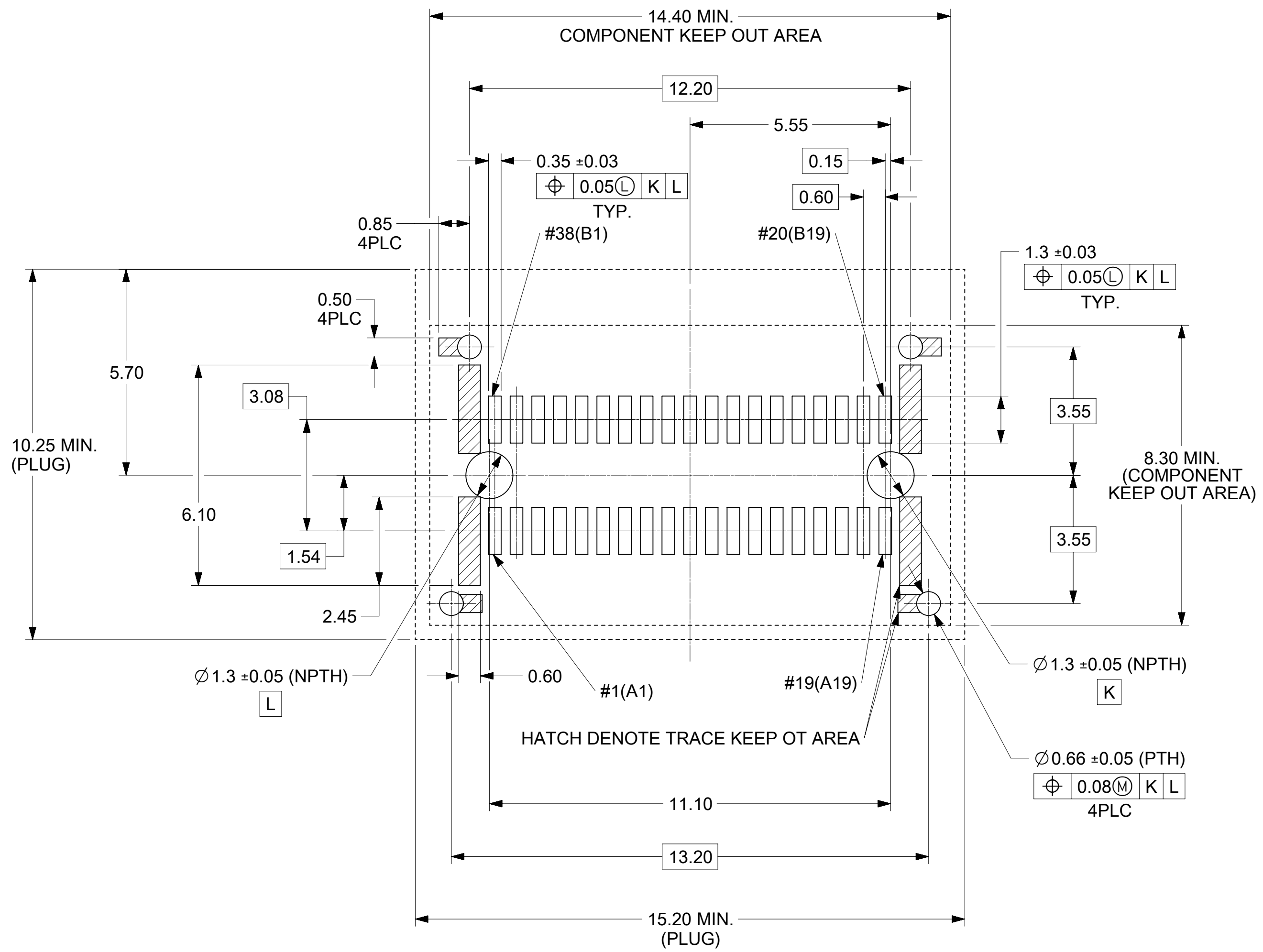


- NOTE:
- MATERIAL:
 - HOUSING : LCP, UL94-V0, BLACK COLOR
 - INSERT MOLD: LCP, UL94-V0, BLACK COLOR
 - CONTACT: COPPER ALLOY
 - GROUND: COPPER ALLOY
 - SHELL: NICKEL SILVER
 - FINISH:
 - CONTACT: GOLD PLATING (SEE TABLE) ON CONTACT AREA 100u" MIN. MATTE TIN PLATING ON SOLDERTAIL 50u" MIN. NICKEL UNDER PLATING OVERALL
 - GROUND: 50u" MIN. NICKEL PLATING OVERALL
 - SOLDERTAILS COPLANARITY TO BE 0.1 MAXIMUM.
 - ROHS COMPLIANT



0.375um[15u"]	4.2	2119663108
	3.0	2119663107
	2.2	2119663106
	1.5	2119663105
0.75um[30u"]	4.2	2119663104
	3.0	2119663103
	2.2	2119663102
	1.5	2119663101
GOLD PLATING	DIM. L	PART NUMBER

FUNCTIONAL SYMBOLS $\nabla_A = 0$ $\nabla_C = 0$ $\nabla_P = 0$ DIVISIONAL SYMBOLS	THIS DRAWING CONTAINS INFORMATION THAT IS PROPRIETARY TO MOLEX ELECTRONIC TECHNOLOGIES, LLC AND SHOULD NOT BE USED WITHOUT WRITTEN PERMISSION		CURRENT REV DESC:		molex SLIMSAS 4X VERTICAL RECEPTACLE CONNECTOR, 100OHM PRODUCT CUSTOMER DRAWING
	DIMENSION UNITS	SCALE	EC NO: 690306		
	mm	5:1	DRWN: ETSENG	2021/12/27	
	GENERAL TOLERANCES (UNLESS SPECIFIED)		CHK'D: ETSENG	2021/12/30	
ANGULAR TOL ± °		APPR: VPENG01	2021/12/30	DOCUMENT NUMBER	
4 PLACES ±		INITIAL REVISION:		2119663101	
3 PLACES ± 0.15		DRWN: SHOU		PSD 000 D	
2 PLACES ± 0.25		APPR: ETSENG		MATERIAL NUMBER	
1 PLACE ± 0.35		THIRD ANGLE PROJECTION		CUSTOMER	
0 PLACES ±		DRAWING		SHEET NUMBER	
DRAFT WHERE APPLICABLE MUST REMAIN WITHIN DIMENSIONS		C-SIZE		1 OF 2	
		SERIES		211966	



RECOMMENDED PCB LAYOUT
TOLERANCE: ±0.05

FUNCTIONAL SYMBOLS $\frac{F}{A} = 0$ $\frac{F}{C} = 0$ $\frac{F}{P} = 0$	THIS DRAWING CONTAINS INFORMATION THAT IS PROPRIETARY TO MOLEX ELECTRONIC TECHNOLOGIES, LLC AND SHOULD NOT BE USED WITHOUT WRITTEN PERMISSION		CURRENT REV DESC:				
	DIMENSION UNITS	SCALE	EC NO: 690306				
	mm	10:1	DRWN: ETSENG 2021/12/27				
	GENERAL TOLERANCES (UNLESS SPECIFIED)		CHK'D: ETSENG 2021/12/30				
DIVISIONAL SYMBOLS	ANGULAR TOL	±	°	APPR: VPENG01 2021/12/30	PRODUCT CUSTOMER DRAWING		
	4 PLACES	±		INITIAL REVISION:	DOCUMENT NUMBER		
	3 PLACES	±	0.15	DRWN: SHOU 2019/11/18	2119663101		
	2 PLACES	±	0.25	APPR: ETSENG 2020/02/17	DOC TYPE		
1 PLACE	±	0.35		PSD	DOC PART		
0 PLACES	±				000		
	DRAFT WHERE APPLICABLE MUST REMAIN WITHIN DIMENSIONS	THIRD ANGLE PROJECTION	DRAWING	SERIES	MATERIAL NUMBER	CUSTOMER	SHEET NUMBER
			C-SIZE	211966	SEE TABLE		2 OF 2