

CATALOG #5EHM1			
EC#	APPR.	DDMMYY	REV.
16-013119	J.B	06SEP16	H

SAFETY ORGANIZATIONS

THIS FILTER HAS BEEN FORMALLY RECOGNIZED, CERTIFIED OR APPROVED BY THE LISTED AGENCY. THEREFORE, ALL TEST/REQUIREMENTS SPECIFIED IN THE LATEST REVISION OF THE FOLLOWING AGENCY STANDARDS HAVE BEEN MET:

UL RECOGNIZED: UL1283, 544
 CSA CERTIFIED: CSA 22.2, NO.0,0.4,8
 VDE PENDING: EN133 200

LINE VOLTAGE/CURRENT: 5 AMP, 120VAC
 4 AMP, 250VAC
 LINE FREQUENCY: 50-60Hz 4 AMP./40°C, 250 VAC

OPERATING SPECIFICATIONS

MAXIMUM LEAKAGE CURRENT, EACH: 2µA AT 120V 60Hz
 LINE TO GROUND: 5µA AT 250V 50Hz

OPERATING AMBIENT TEMP. RANGE: -10°C TO +40°C @ RATED CURRENT, I_r
 IN AN AMBIENT, T_a, HIGHER THAN 40°C, THE MAXIMUM OPERATING CURRENT, I_o, IS AS FOLLOWS:

$$I_o = I_r \sqrt{\frac{85 - T_a}{45}}$$

RELIABILITY SPECIFICATIONS:

STORAGE TEMPERATURE: -40°C TO +85°C
 HUMIDITY: 21 DAYS @ 40°C 95% RH.
 CURRENT OVERLOAD TEST: 6 TIMES RATED CURRENT FOR 8 SECONDS.

TEST SPECIFICATIONS:

INDUCTANCE: .93mH NOMINAL
 CAPACITANCE: (MEASURED @ 1KHz, 0.250VAC MAX., 25°C±1°C)
 LINE TO LINE: .009µF ±20%
 DISCHARGE RESISTOR: 1.5MΩ

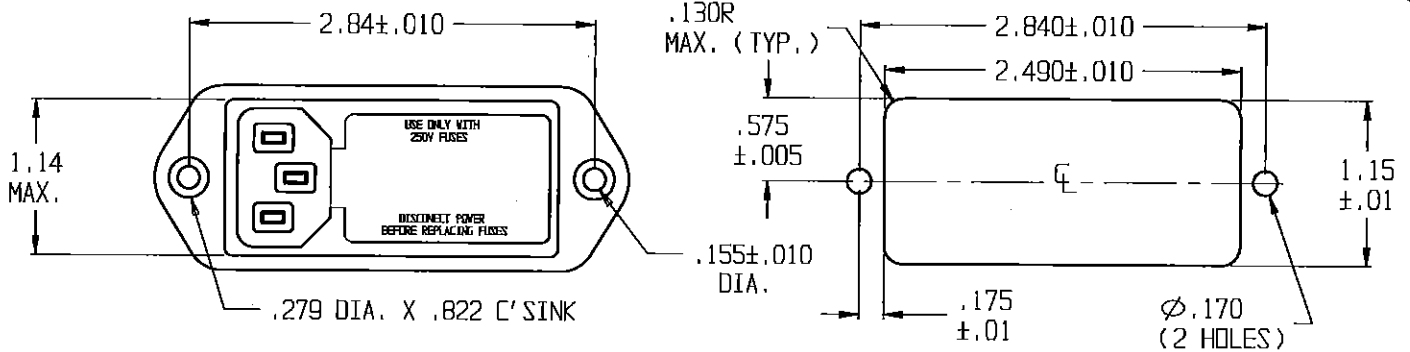
LINE/GROUND AND LINE/LINE: 6000M (MIN.)
 INSULATION RESISTANCE: AT 100VDC
 (W/O DISCHARGE RESISTOR) 20°C AND 50% RH.

RECOMMENDED RECEIVING INSPECTION HIPOT:

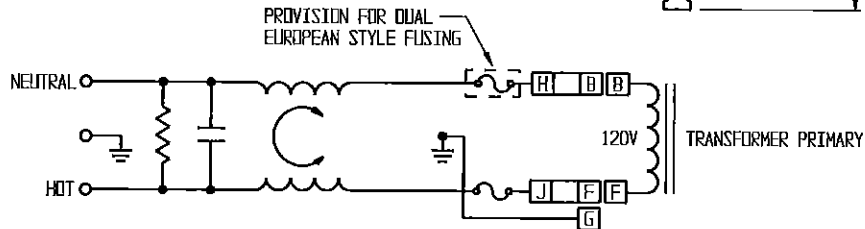
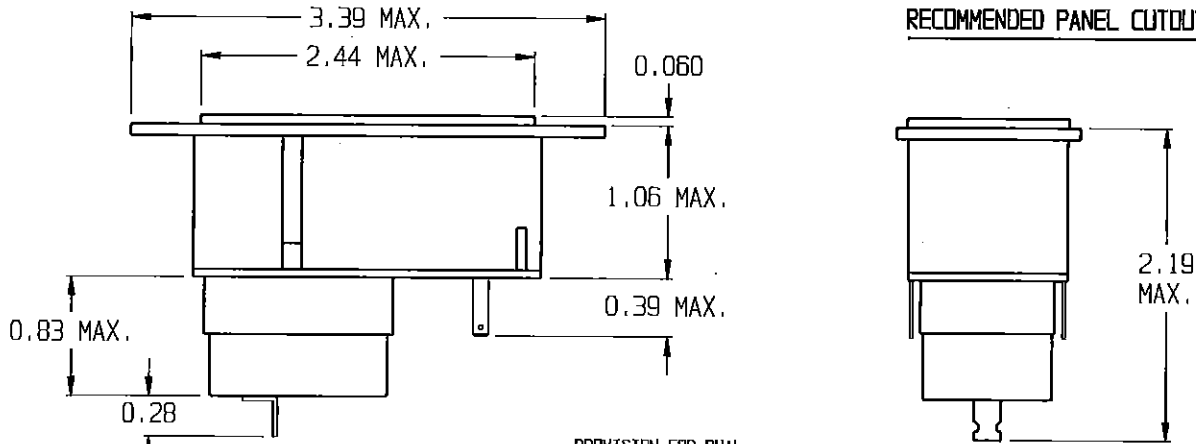
LINE TO GROUND: 1500 VAC FOR 1 MINUTE
 LINE TO LINE: 1450 VDC FOR 1 MINUTE

FILTER APPROVAL:

THE BEST WAY TO SELECT AND QUALIFY A FILTER IS FOR YOUR ENGINEERING TO TEST THE UNIT IN YOUR EQUIPMENT.



RECOMMENDED PANEL CUTOUT



50Ω - 50Ω (MINIMUM) INSERTION LOSS

FREQUENCY MHz	.15	.50	1.0	2.0	5.0	10	20	30			
COMMON dB	14	18	19	21	22	22	19	17			
DIFF. dB											

THIRD ANGLE PROJECTION

UNLESS OTHERWISE SPECIFIED, TOLERANCE TO BE ±.025
 MATERIAL & FINISH: AS SUPPLIED

This document is proprietary to CORCOM INC. and is not to be reproduced nor used for manufacturing purposes except on CORCOM'S prior written consent.

TE Connectivity

POWER LINE FILTER

TYCO # 1-6609130-1
 CATALOG NO. 5EHM1
 SCALE: NTS DATE: 7/9/96
 DRW. BY: JF ORG: KAW
 REV. H