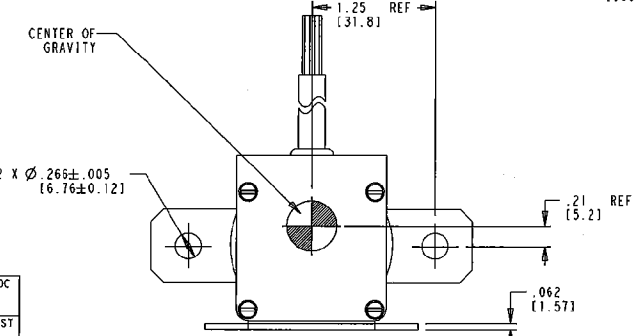
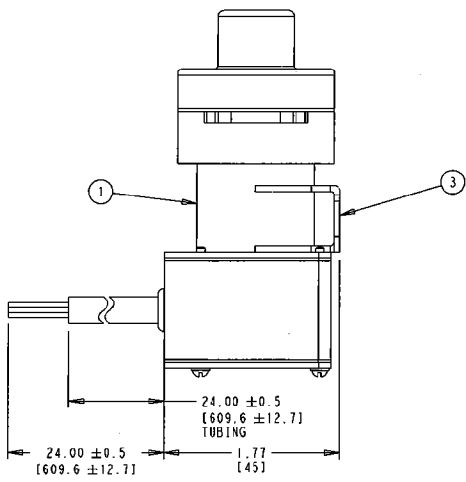
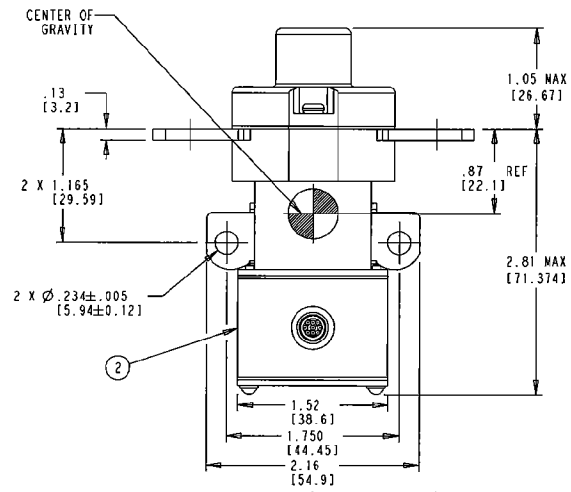
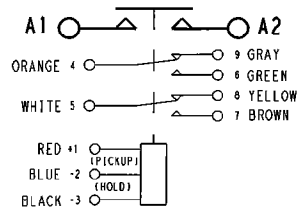
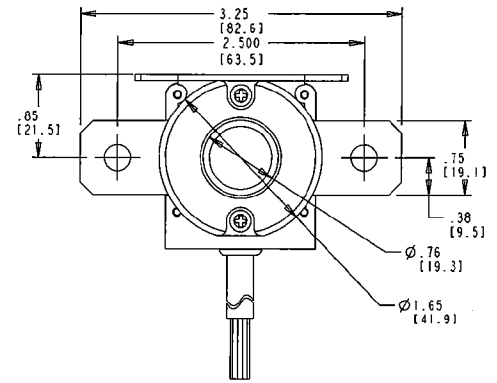


USED ON

IMP NO
4-1616988-2

THIS DRAWING IS A CONTROLLED DOCUMENT



CONSTRUCTION	GASKET SEALED
MAIN CONTACTS CONFIGURATION	SPST N.O. (DOUBLE BREAK)
VOLTAGE	28 VDC
CURRENT	400 AMPS
RESISTIVE	4000 AMPS
RUPTURE	1875 AMPS FOR 0 TO 5 SEC.
MOTOR	1700 AMPS FOR 5 TO 10 SEC.
	1500 AMPS FOR 10 TO 15 SEC.
	1200 AMPS FOR 15 TO 20 SEC.
	1000 AMPS FOR 20 TO 25 SEC.
	750 AMPS FOR 25 TO 30 SEC.
	500 AMPS FOR 30 TO 90 SEC.
AUXILIARY CONTACTS CONFIGURATION	2PDT
VOLTAGE	28 VDC
CURRENT	1 AMP
RESISTIVE	
COIL DATA	
DUTY CYCLE	CONTINUOUS (NON-ECONOMIZED)
MAX OPERATE VOLTAGE	32 VDC
NOM OPERATE VOLTAGE	28 VDC
MAX PICKUP VOLTAGE	18 VDC MAX
DROPOUT VOLTAGE	9 VDC MAX
COIL CURRENT	
INRUSH	9 AMP MAX AT 28 VDC
HOLD	400 mA MAX AT 28 VDC
OPERATE TIME	45 ms AT 18 VDC AND 85°C
DROPOUT TIME	25 ms AT 32 VDC
ENVIRONMENTAL DATA	
TEMPERATURE	-55°C TO 85°C
ALTITUDE	50,000 FEET
LIFE ELECTRICAL	50,000 CYCLES MIN.
LIFE MECHANICAL	100,000 CYCLES MIN.
WEIGHT MAX	.75 LBS

- NOTES:
 1. AUXILIARY CONTACTS ARE GOLD PLATED.
 2. LOW LEVEL RATING NOT APPLICABLE AFTER APPLICATION OF CURRENT GREATER THAN 125 mA.
 3. PICKUP MUST BE LIMITED TO 100 mS MINIMUM TO 150 mS MAXIMUM ACROSS PINS 1 (RED) AND 2 (BLUE).

3	1	47619-180	PRIMARY ASSEMBLY				3-1616989-6	
2	1	44900-023	SCHEMATIC DIAGRAM				4-1616989-0	
1	1	44899-044	NAME PLATE				4-1616989-1	
FIND QTY		PART OR IDENTIFYING NO		NORENCLATURE OR DESCRIPTION		DRAWING OR SPECIFICATION NO	IE PART NO	MATERIAL OR NOTE
CAGE CODE: 74063				DWR	RSS	30MAY2012		
DIMENSIONS: TO DIMENSIONS UNLESS OTHERWISE SPECIFIED.				DA	DA	05JULY2012		
INCHES (mm)				APVD	RSS	05JULY2012		
UNLESS: 2"				NAME CONTACTOR - SPST N.O. DB		K4001A3B02		
SURFACE FEATURE				SCALE	NONE	DRAWING NO	4-1616988-2	SHEET 1 OF 1

P	LTR	REVISION RECORD	DATE	DWR	APVD
A		INITIAL DRAWING	30MAY2012	RSS	RSS

THIS INFORMATION IS CONFIDENTIAL AND PROPRIETARY TO TYCO ELECTRONICS AND IS THE PROPERTY OF TYCO ELECTRONICS. IT IS TO BE USED ONLY FOR THE PURPOSES AND IN THE MANNER SPECIFIED HEREIN. IT IS NOT TO BE REPRODUCED, COPIED, OR DISSEMINATED IN ANY MANNER WITHOUT THE WRITTEN AUTHORIZATION FROM TI. Form: IE.com

LOC
D157

3387-7 (3/11)