

Double-level terminal, Push-in connection, Mounting type: Mounting rail TS 35/7.5, Rated cross-section: 2.5 mm², Width: 5.1 mm, Colour: Grey

RAL: Ähnlich 7035

Business data

| | |
|--|-----------------------|
| Article number | 27038.6 |
| Article name | PRKD 2,5/SV GR |
| GTIN (EAN) | 4044211227142 |
| Packaging unit | 50 |
| Quantity unit | PC |
| Weight per piece (not including packaging) | 9.79 g |
| Weight per piece (including packaging) | 10.53 g |
| Unit of weight | G |
| Customs number | 85369010 |
| Country of origin | CZ |
| Prio-Article | 27038.6 |
| Product description | Double-level terminal |

Technical data

Dimensions

| | |
|------------------|---------|
| Length | 68.7 mm |
| Width | 5.1 mm |
| Height | 45.7 mm |
| Height TS 35/7.5 | 47.2 mm |

Ratings

| | |
|---|---------------------|
| Rated voltage | 500 V |
| Rated current | 22 A |
| Rated cross-section | 2.5 mm ² |
| Rated impulse voltage | 6 kV |
| Overvoltage category | 3 |
| Contamination degree | III |
| Maximum power dissipation for nominal condition | 1.41 W |

Connection data

| | |
|--|---------------------|
| Connection principle | Push-in connection |
| Connection position | Top |
| Connections | 4 |
| Number of terminals per level | 2 |
| Number of levels | 2 |
| Levels internally bridged | ✓ |
| Wire cross-section single-core (rigid) / stranded, min. | 0.5 mm ² |
| Wire cross-section single core (rigid)/stranded, max. | 4 mm ² |
| Wire cross-section stranded, min. | 0.5 mm ² |
| Wire cross-section stranded, max. | 2.5 mm ² |
| Wire cross-section stranded with wire-end ferrules, min. | 0.5 mm ² |
| Wire cross-section stranded with wire-end ferrules, max. | 2.5 mm ² |
| Wire cross-section AWG, max. | 12 |
| Stripping length | 10 mm |

Materials

| | |
|---------------------------|---------------|
| Insulation housing | Polyamide 6.6 |
| Flammability class UL 94 | V-0 |
| Working temperature, min. | -40 °C |
| Working temperature, max. | 120 °C |

Technical data

Further technical data

| | |
|-------------------------------------|--------------------------------------|
| Mounting type | Mounting rail TS 35/7,5 and TS 35/15 |
| Gauge plug acc. to EN 60 947-1 | A3 |
| Number of cross-connection channels | 2 |
| End plate required | ✓ |

Environmental Product Compliance

| | |
|--------------------------------|-----|
| REACH Conform | yes |
| REACH Candidate Substance Note | No |
| RoHS Conform | yes |

Approvals

Standards and regulations

| | |
|----------------------|----------------|
| EAC approval | TR ZU 004/2011 |
| EAC approval granted | yes |

cUL Recognized

| | |
|--|-------------------|
| cUL approval | CSA-C22.2 No. 158 |
| cUL Usegroup B: rated voltage | 300 V |
| cUL Usegroup B: rated current | 20 A |
| cUL Usegroup C: rated voltage | 300 V |
| cUL Usegroup C: rated current | 20 A |
| cUL Usegroup D: rated voltage | 600 V |
| cUL Usegroup D: rated current | 5 A |
| cUL wire cross-section single-core (rigid) AWG, min. | 26 |
| cUL wire cross-section single-core (rigid) AWG, max. | 12 |
| cUL wire cross-section stranded AWG, min. | 26 |
| cUL wire cross-section stranded AWG, max. | 12 |
| cUL wire material | Cu |
| cUL File Number | E95701 |
| cUL Recognized | 1 |

KEMA KEUR approval

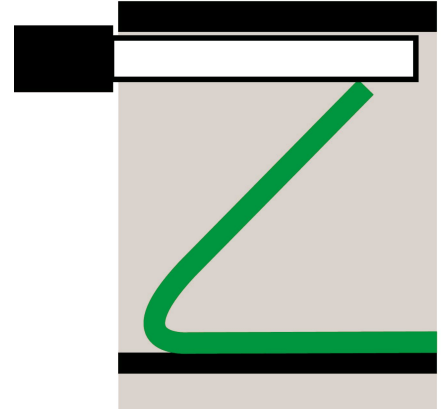
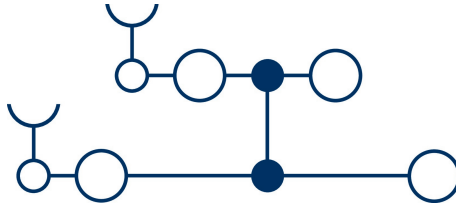
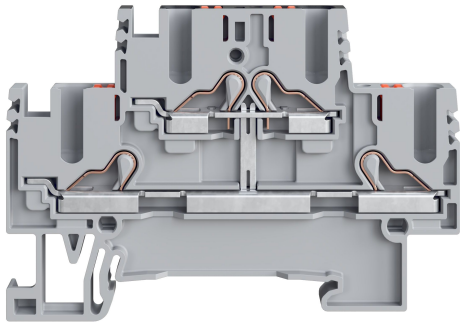
| | |
|--------------------------------|-------------------|
| KEMA KEUR approval | EN 60947-7-1:2009 |
| KEMA KEUR approval applied for | yes |

Approvals

UL Recognized

| | |
|---|---------|
| UL approval | UL 1059 |
| UL Usegroup B: rated voltage | 300 V |
| UL Usegroup B: rated current | 20 A |
| UL Usegroup C: rated voltage | 300 V |
| UL Usegroup C: rated current | 20 A |
| UL Usegroup D: rated voltage | 600 V |
| UL Usegroup D: rated current | 5 A |
| UL wire cross-section single-core (rigid) AWG, min. | 26 |
| UL wire cross-section single-core (rigid) AWG, max. | 12 |
| UL wire cross-section stranded AWG, min. | 26 |
| UL wire cross-section stranded AWG, max. | 12 |
| UL wire material | Cu |
| UL factory wiring | 1 |
| UL field wiring | 1 |
| UL File Number | E95701 |
| UL Recognized | 1 |

Media



Accessories

End plate

End plate, Width: 1.5 mm, Colour: Grey



| Article number | Article name | GTIN (EAN) | Packaging unit |
|----------------|--------------|---------------|----------------|
| <u>27118.6</u> | PAPD 2,5 GR | 4044211225155 | 20 |

End stop

End stop, Mounting type: Mounting rail TS 35/7.5 and TS 35/15, Width: 5 mm, Colour: Beige



| Article number | Article name | GTIN (EAN) | Packaging unit |
|----------------|--------------|---------------|----------------|
| <u>3811.2</u> | ZES 35/2 BG | 4044211080600 | 50 |

Insulated cross-connector

Insulated cross-connector, No. of poles: 4, Mounting type: Plug in, Width: 19.3 mm, Colour: Red



| Article number | Article name | GTIN (EAN) | Packaging unit |
|----------------|--------------|---------------|----------------|
| <u>27134.9</u> | PQI 2,5/4 RD | 4044211225247 | 20 |

Quick marking

Terminal marker / PC Card, Length: 5 mm, Width: 5 mm, Colour: White

| Article number | Article name | GTIN (EAN) | Packaging unit |
|----------------|-----------------|---------------|----------------|
| <u>28342.7</u> | PC-SB 5X5/48 WH | 4044211210380 | 960 ST |

Identification adapter

27038.6 PRKD 2,5/SV GR

Label holder, Pitch size: 5.1 mm, Colour: grey



| Article number | Article name | GTIN (EAN) | Packaging unit |
|----------------|--------------|---------------|----------------|
| <u>27175.6</u> | PBA 3 GR | 4044211226954 | 20 ST |

Screwdriver

Screwdriver with bare blade, Colour:



| Article number | Article name | GTIN (EAN) | Packaging unit |
|----------------|--------------|---------------|----------------|
| <u>3169.0</u> | SDB 0,4x2,5 | 4044211125202 | 1 ST |