



10W Wall Mount Adapter - UK



Features

- Fixed Blade AC Input
- Ecodesign/ErP Lot 7 (EU) 2019/1782 Compliance
- CoC Version 5 Tier 2 Compliance
- Limited Power Source
- Class B EMI

Applications

- MPEG Players
- Personal Electronics
- PDAs
- Digital Cameras

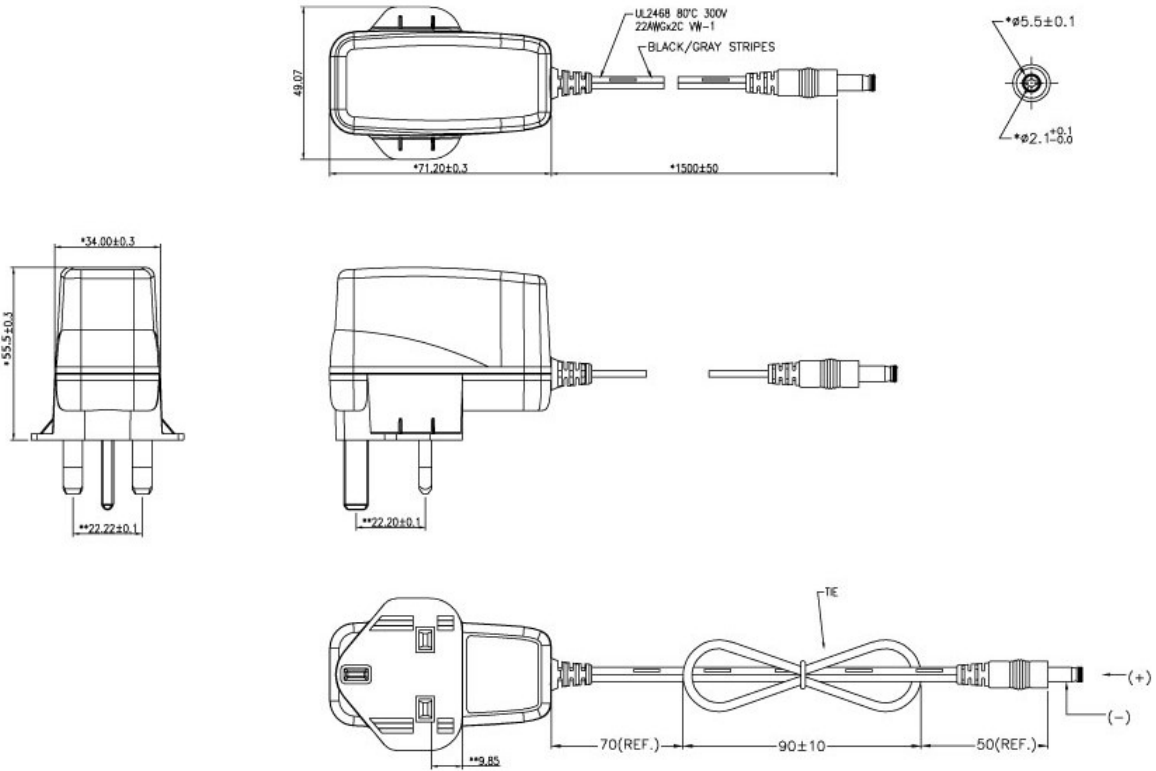


AA10K Specifications¹

| Model | | AA10K-050A-R | AA10K-050A(M)-R |
|--------------------------|---|---|---|
| Output | DC Output Voltage | 5.0V | |
| | Max Current | 2.0A | |
| | Output Power | 10.0W | |
| | Regulation | ± 1% Line | |
| | Ripple & Noise P-P(max) ² | 200mV | |
| Input | AC Input Voltage Range | 90 to 264VAC | |
| | AC Input Frequency | 47 to 63Hz | |
| | Input Current | 0.3A(RMS) max @115VAC/60Hz | |
| | No Load Power Consumption at 115VAC Input | 0.0386W | |
| | No Load Power Consumption at 230VAC Input | 0.059W | |
| | 115VAC Average Efficiency ³ | 81.70% | |
| | 230VAC Average Efficiency ³ | 81.10% | |
| | 230VAC 10% Load Efficiency ³ | 78.5% | |
| Protection | Leakage Current | 20uA max @254VAC/50Hz | |
| | Over-Voltage | 9.0V max | |
| | Short Circuit | The output can be shorted without damage | |
| Environmental | Over-Current | 2.2A max | |
| | Operating Temperature | 0°C to +40°C | |
| | Non-Operating Temperature | -20° to +85°C | |
| Environmental | Operating Humidity | 85% Relative Humidity | |
| | Dielectric Withstand (HI-POT) | Primary to Secondary: 3000VAC for 1min, 10mA | |
| | Insulation Resistance | Primary to Secondary: 10M ohm for 500VDC | |
| Safety Approvals and EMC | Standards | IEC 62368-1 | |
| | EMI Emissions | EN 55032/CISPR 32 Class B Conducted and Radiated | |
| | Harmonic Current Emissions | IEC 61000-3-2 | |
| | Voltage Fluctuations & Flicker | IEC 61000-3-3 | |
| | Immunity | EN 55024/CISPR 24, EN 55035/CISPR 35: IEC 61000-4-2 (+/- 8kV air, +/- 4kV contact), IEC 61000-4-3, IEC 61000-4-4, IEC 61000-4-5 (+/- 1kV), IEC 61000-4-6, IEC 61000-4-8, IEC 61000-4-11 | |
| | Mechanical | Dimensions (L x W x H) | 71.2mm (2.80in) x 49.1mm (1.93in) x 77.9mm (3.07in) |
| Weight | | 75.5g | |
| Cable Length | | 1500mm | |
| DC Cable Type | | 22 AWG | |
| DC Output Connector | | 2.1mm x 5.5mm x 9.5mm | USB Micro-B |
| Notes | <ol style="list-style-type: none"> The specifications defined are at ambient temperature of 25°C, unless otherwise specified. 20MHz bandwidth frequency oscilloscope, add a 0.1µF multilayer Cap. and Low ESR Electrolytic Cap. (10µF) at output connector terminals (nominal line voltage, full load). Efficiency is measured after 30 minutes burn-in. | | |



AA10K-050A-R Outline Drawing





AA10K-050A(M)-R Outline Drawing

