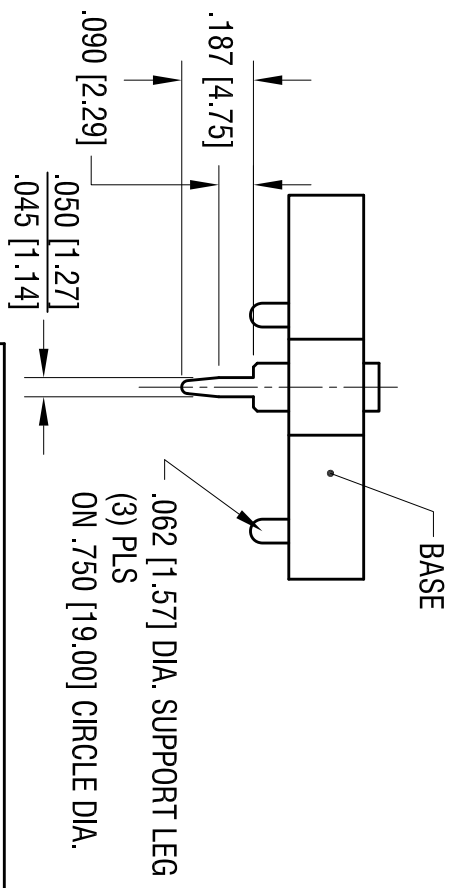
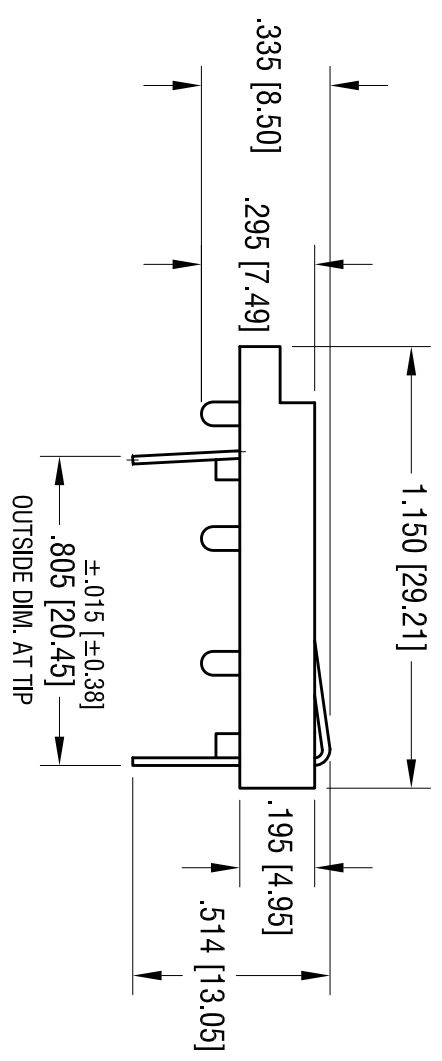
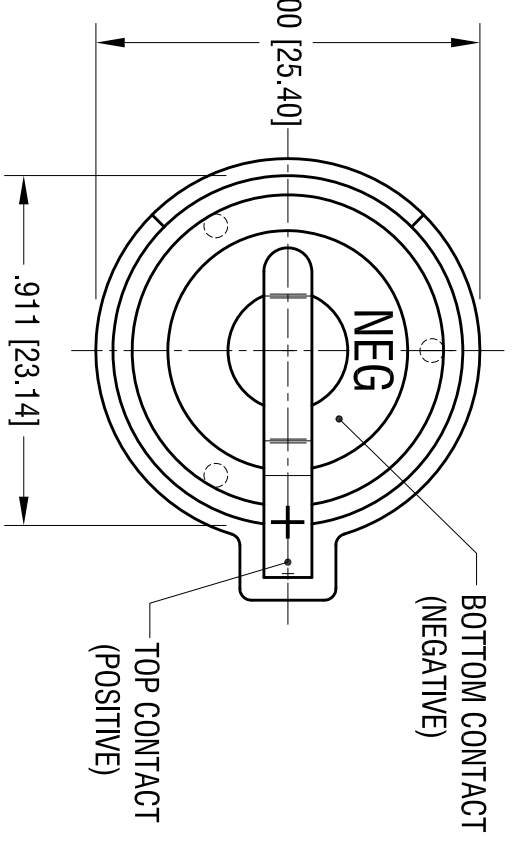
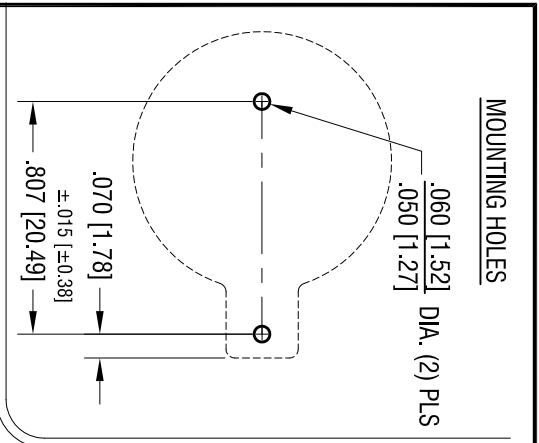
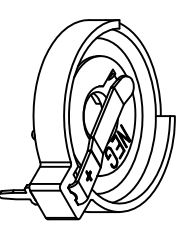


DATE	DESCRIPTION	REV.
9.20.04	CHANGE AS PER ECN 04-111	E
11.2.11	CHANGE AS PER ECN 11-143	F



- NOTES:
1. BASE:
MATL - PBT (UL 94V-0), COLOR BLACK
 2. CONTACTS (TOP AND BOTTOM):
MATL - .020 [0.50] THK SPRING STEEL
FINISH: TIN NICKEL PLATE

ACTUAL SIZE



THIS DOCUMENT IS THE PROPERTY OF KEYSTONE ELECTRONICS CORP. AND SHALL NOT BE REPRODUCED, DISTRIBUTED OR USED AS A BASIS FOR MANUFACTURE WITHOUT PRIOR WRITTEN PERMISSION FROM KEYSTONE ELECTRONICS CORP.

KEYSTONE ELECTRONICS CORP.			
www.keystec.com • ASTORIA, N.Y. 11105-2017 • Tel (718) 956-8900			
PART NAME COIN CELL PC BATTERY HOLDER			
MATERIAL AS NOTED			
FINISH AS NOTED		DRN BY BOONE	DATE 5.6.94
TOLERANCES DECIMAL ± .010 [± 0.25]		App'D RH	SCALE 2X
ANGULAR ± 1°		CODE C	DWG NO. 104