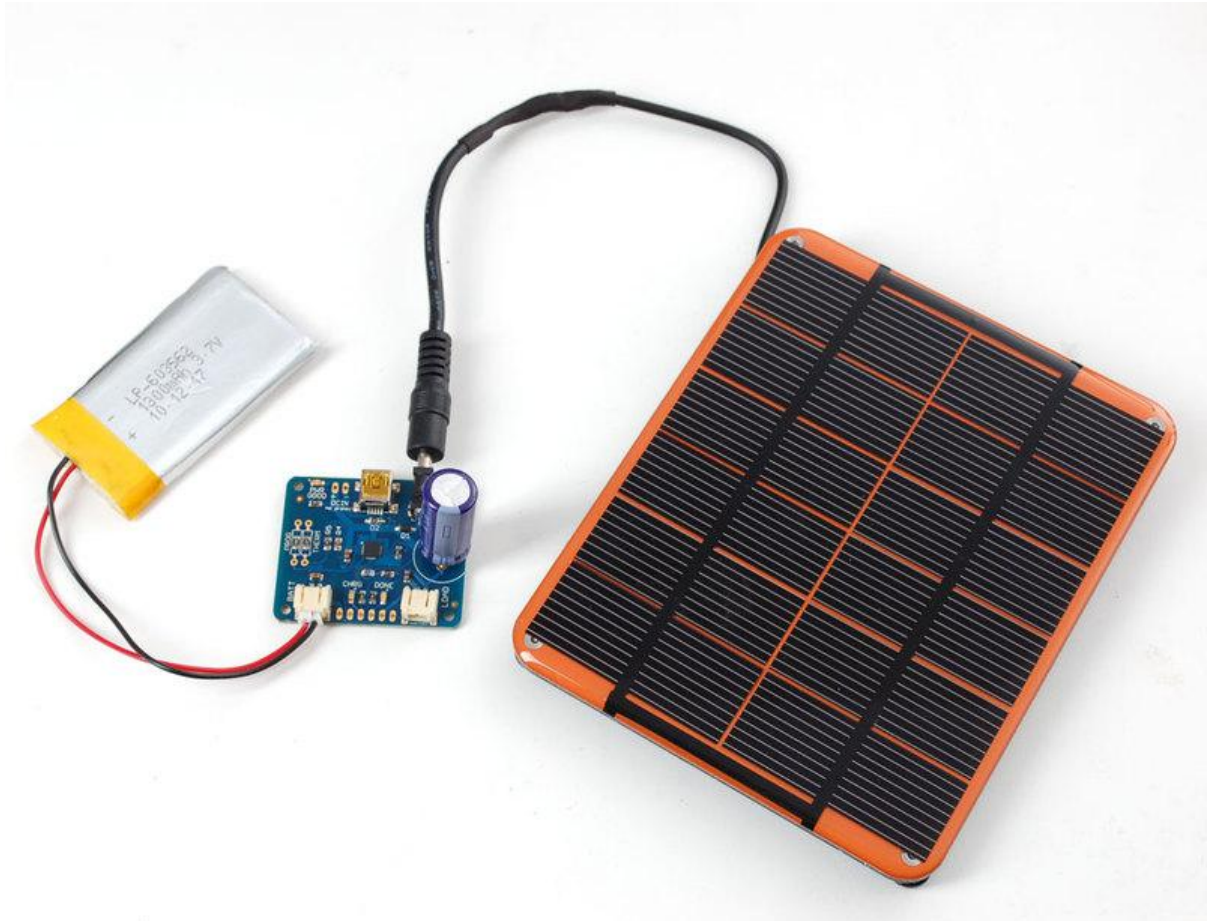




USB, DC & Solar Lipoly Charger

Created by lady ada



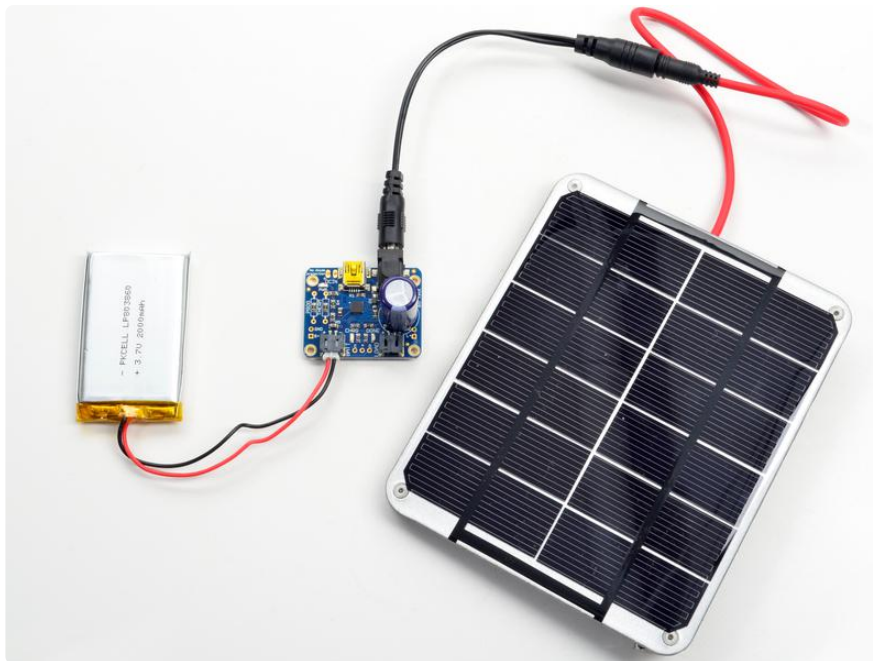
<https://learn.adafruit.com/usb-dc-and-solar-lipoly-charger>

Last updated on 2022-12-01 01:51:08 PM EST

Table of Contents

Overview	3
FAQ	4
Solar Charger Preparation	6
• Installing the Capacitor	
Solar Panel Preparation	7
• Splice or Adapt?	
• Voltaic Panels with 1.3mm Connectors	
• Other 6V Solar Panels	
• Method 1	
• If You Have a Pre-2013 Solar Charger	
Using the Charger	16
• Solar Charging	
• USB & DC Charging	
• Indicator LEDs	
• Load Sharing	
• Temperature Monitoring	
• Adjusting the Max Charge Current	
• Adding External LEDs	
Design Notes	22
• Is this a Max Power Point Tracker (MPPT)?	
• Why a special solar charger?	
• Solar Optimization!	
Downloads	28
• Files	
• Schematic & Fabrication Print	

Overview

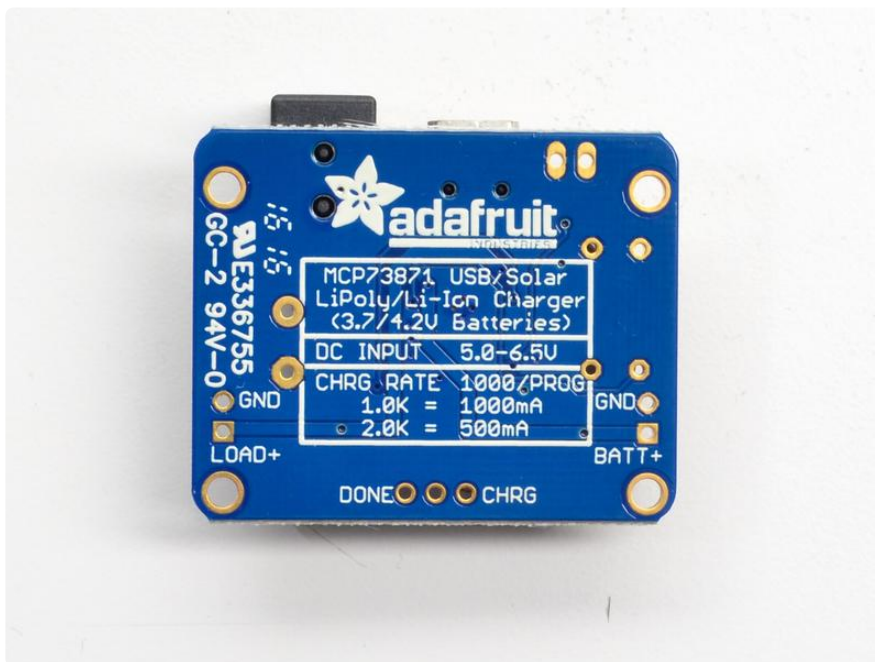
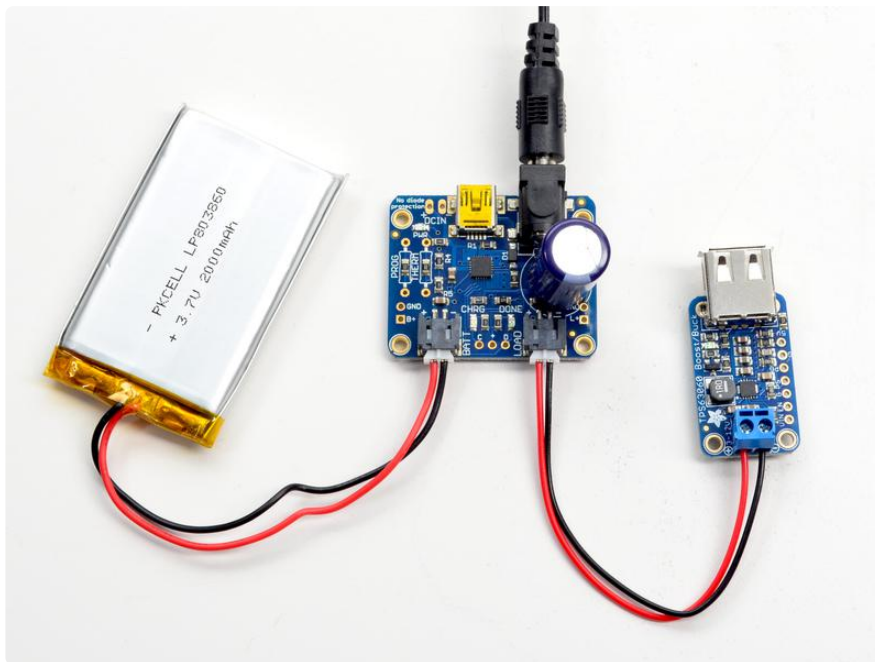


Make your projects to go green this summer with our specialized USB/Solar Lithium Ion Polymer Battery charger! This charger is a very unique design, perfect for outdoor projects, or DIY iPod chargers. We've spent over a year testing and tinkering with this charger to come up with a plug and play solution to charging batteries with the sun and we're really pleased with what we ended up with.

Easy to use! [Pick up any of our many 3.7V/4.2V Lilon batteries \(\)](#), and a [6V solar panel \(\)](#). Plug the battery into the BATT port using a 2-pin JST cable and the solar panel into the DC jack. Put the solar panel outside (and keep the battery out of the sun, it needs to be kept shaded!) to start charging. You can power another project like a Mintyboost at the same time by connecting to the LOAD output port

- 3.7V/4.2V Lithium Ion or Lithium Polymer battery charger
- Charge with 5-6V DC, USB or 6V solar panel!
- Too dark out? Use a [USB mini-B cable \(http://adafru.it/260\)](http://adafru.it/260) or a [5V DC adapter \(http://adafru.it/276\)](http://adafru.it/276)
- Automatic charging current tracking for high efficiency use of any wattage solar panel
- Use any 6V solar panel (6V seems to work best, 5.5V may work, 5V does not work)
- Three color indicator LEDs - Power good, Charging and Done
- Low Battery Indicator (fixed at 3.1V) with LED output on (labeled CHRG)
- Set for 500mA max charge rate, can be adjusted from 50mA up to 1A by soldering in a resistor

- Will always draw the most current possible from a solar cell - up to the max charge rate!
- Smart load sharing automatically uses the input power when available, to keep battery from constantly charging/discharging
- Temperature monitoring of battery by [soldering in a 10K NTC thermistor](http://adafruit.it/372) (<http://adafruit.it/372>) (not included) - suggested for outdoor projects where the battery may get hot (50°C) or cold (0°C).



FAQ

Is this a MPPT tracker?

This is not a true MPPT tracker, for information on why we did not design it as a true MPPT, read our design notes! ()

Why didn't you make this an MPPT?

For low power solar charging of lithium ion's, its not necessarily a better way to charge. For information on why we did not design it as a true MPPT, read our design notes! ()

BUT I HEARD THAT MPPT IS THE BEST!!

For large multi-watt solar arrays that are charging lead acid batteries, you will want to get an MPPT charger. For small cells, its not necessarily more efficient. For information on why we did not design it as a true MPPT, read our design notes! ()

OK so how does it work?

Good question! For information on how this charger works, read our design notes! ()

What solar panels can I use?

Use any rigid, flexible, monocrystal, polycrystal, etc panels with 6V rating (12 'cells') for the best performance

We've tried 5V panels and they don't work. 5.5V panels sometimes work, 6V is really the best!

Can I charge with a solar panel on my windowsill?

The charger will draw as much current as possible, but the efficiency of the panel will be much lower. Solar panels must not have any glass or shade to work efficiently, they must be outside, pointed as best as possible directly at the sun!

Both the Charge and Done LEDs are on and the battery is not charging.

This is a fault condition detected by the charger. Most often it is a battery problem. This can happen if the battery is allowed to discharge completely. The protection circuits on some LiPo cells require the battery to be disconnected in

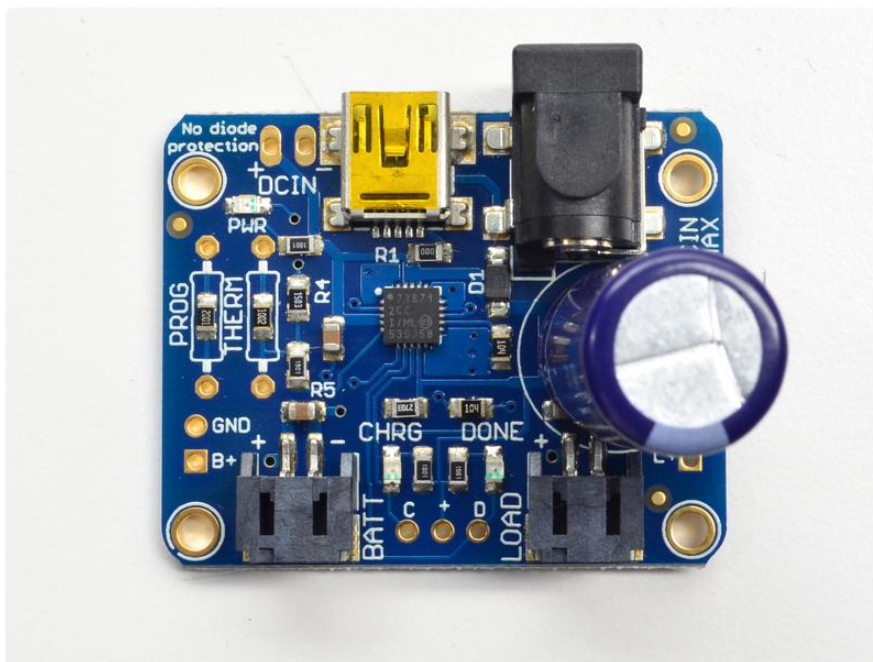
order to reset the circuit after an over-discharge cutoff event. Often just disconnecting and reconnecting the battery will allow it to charge again.

Solar Charger Preparation

Installing the Capacitor

The first thing to do before starting to charge with a solar panel is to install the large filtering capacitor. This capacitor is necessary to stabilize the panel a little, and since we're going to charge with a lot of current, the capacitor needs to be pretty big. There is a spot on the PCB for the capacitor, you can of course install it directly there by soldering the wires of the capacitor into the pads.

Make sure to check the polarity of the capacitor, make sure the positive lead of the capacitor goes into the pad marked +!



If you're low on space, you can solder wires to the capacitor and then install it a little farther away. Just remember to use heatshrink to keep the capacitor legs from shorting. If you want you can bend the capacitor over a bit as well, but don't have it touch the hot charging chip (the black square in the middle of the PCB)!

Next you will have to connect up your solar panel. Panels sometimes come 'bare' (no wires), with just wires, or with a connector of some sort. You may need to splice a connector onto the panel to match the 5.5/2.1mm (or 4mm on older charger) DC jack on the adapter.

Solar Panel Preparation

Splice or Adapt?

The first version of the solar charger came with a 4mm DC barrel jack on it. On older versions (4mm) it would come with a converter cable.

- If you have a newer v2 charger (June 2013+), connect a [2.1mm Terminal Block Adapter](http://adafru.it/369) (<http://adafru.it/369>) onto the panel using basic wires, or a [1.3mm to 2.1mm adapter cable](http://adafru.it/2788) (<http://adafru.it/2788>) then plug that into the 2.1mm adapter. This is the fastest method
- If you have an older v1 charger, you can use the terminal block method above OR cut the adapter cable in half and splice the 4mm connector onto the panel. The panel will plug right into the board but its more work.

Voltaic Panels with 1.3mm Connectors

[Grab one of our adapter cables, it will let you plug in the solar panel directly](http://adafru.it/2788) (<http://adafru.it/2788>)



Other 6V Solar Panels

If you have a panel with something other than 2.1mm or 1.3mm connector, you'll need to remove any existing connector. Cut off whatever connector is on



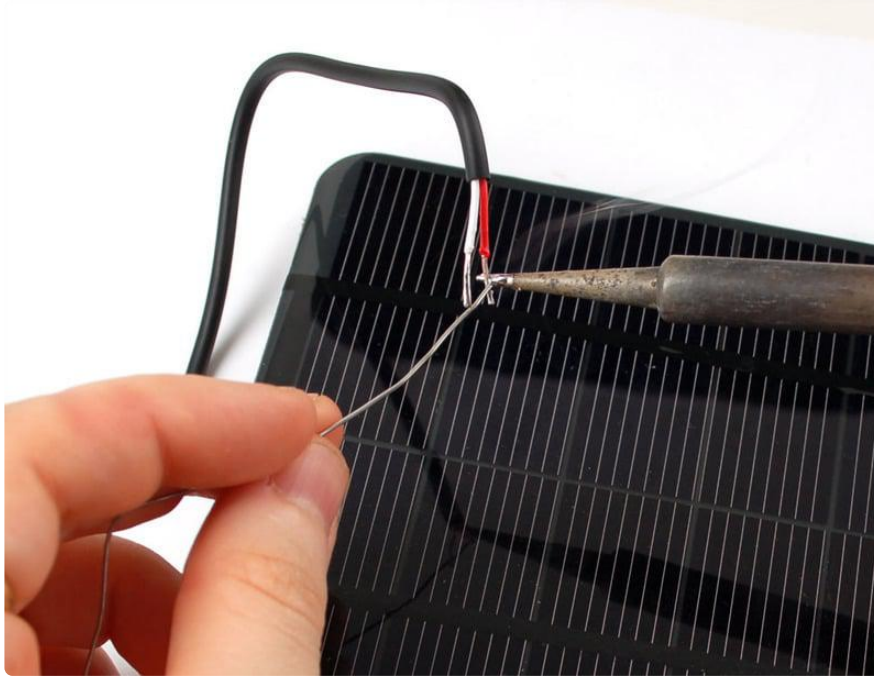
Gently remove the outer casing without nipping the inner wires.





Strip and tin the inner wires.





Method 1

For this you'll need a [2.1mm Terminal Block Adapter](http://adafru.it/369) (<http://adafru.it/369>) but its really simple. Just open up the screw terminals, slide the red wire into the + hole and the black wire into the - hole and retighten! Now you can just plug it directly into the charger (or adapter cable).



If You Have a Pre-2013 Solar Charger

This method is a little tougher, but results in a nicer cable. You'll need some heatshrink as well as some item with a 2.1mm DC barrel plug (like the 2.1mm adapter)

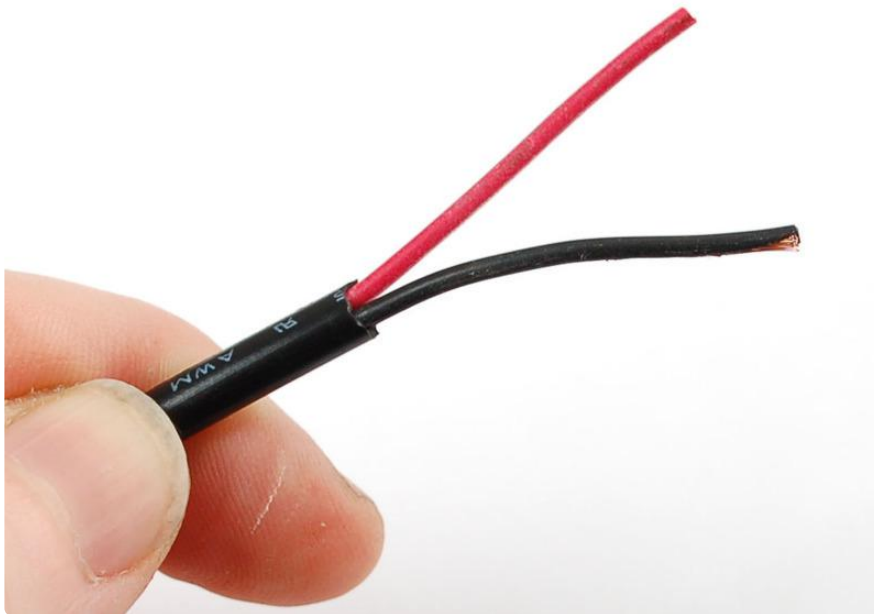
Cut off anything on the opposite end.



And carefully strip off the outer sheath.



You'll want some longer wires on this side, maybe 1.5" (3-4 cm).



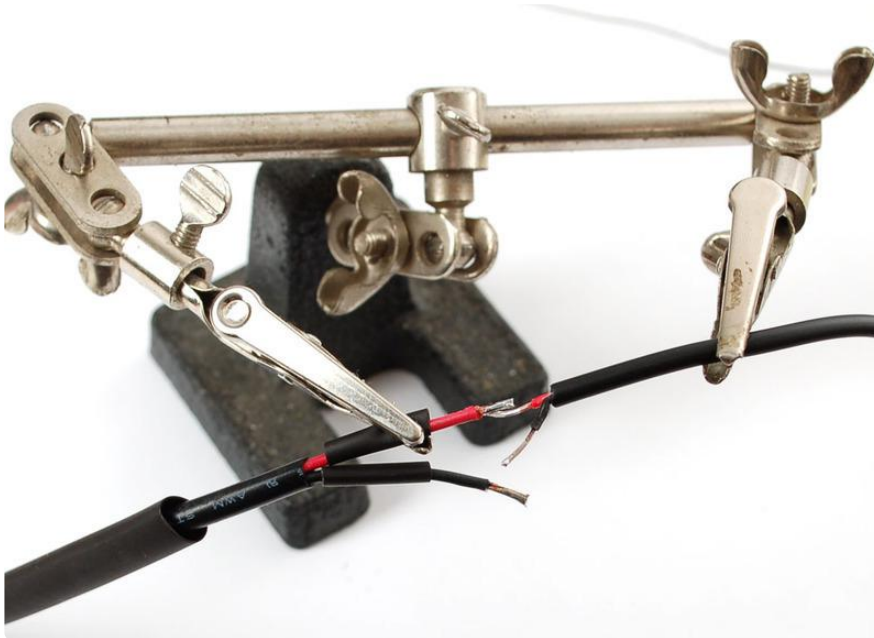
Strip just the ends of the wires and tin them.

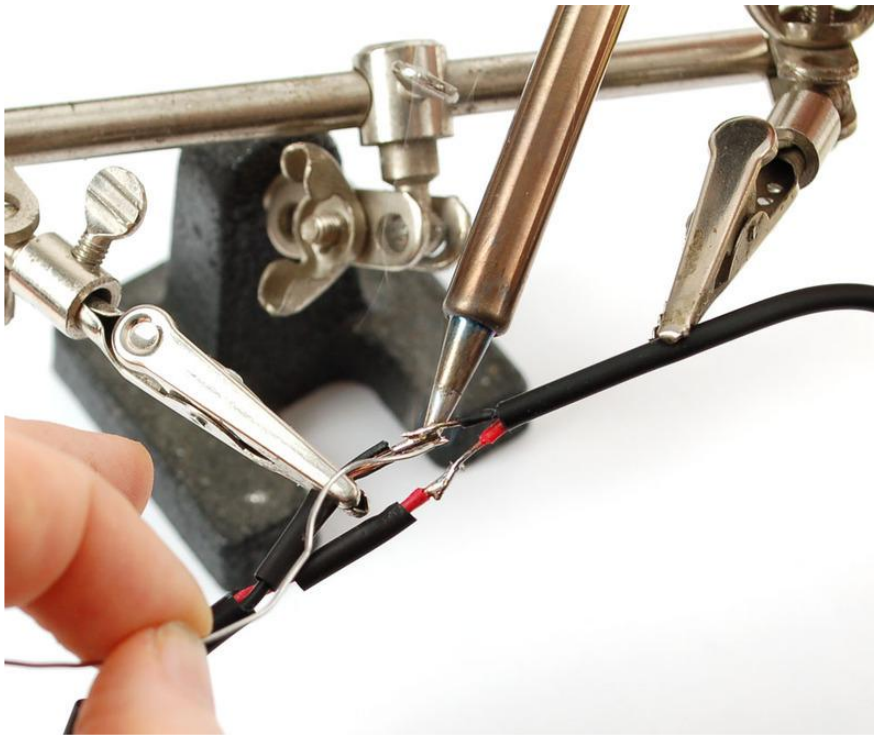


Place a big piece of heatshrink onto the cable, and then two shorter and smaller pieces on each of the wires.



Solder red to red and black to black, keep the heatshrink away from your soldering iron since it may shrink too fast!





After the solder cools off, pull the smaller shrink onto the wires and heatshrink them!



Then pull the big piece over everything!



And heatshrink it (with a hot air gun if you have one, or carefully with a lighter if you don't).

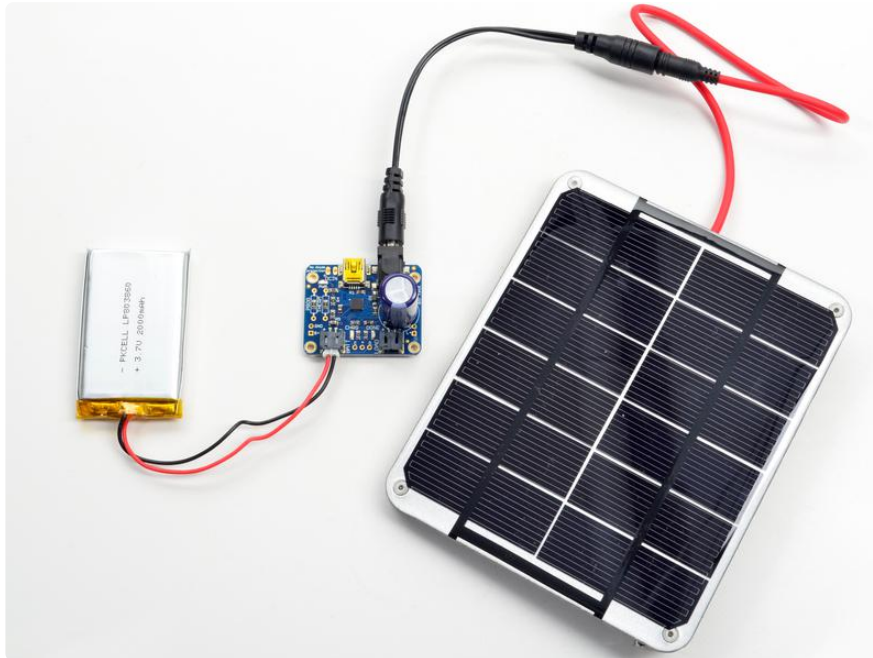


That's it! Check with a multimeter, in the sun, to verify that you have a open circuit voltage on the plug.



Using the Charger

Solar Charging



Solar charging is easy, [don't forget to prepare your solar panel and solder in the electrolytic capacitor beforehand!](#) ()

Once you've done that, you can simply plug in the solar panel into the DC jack - look for the PWR GOOD LED to indicate that the solar panel is providing power and then plug the battery into the BATT slot in the left. Use only 3.7V/4.2V lithium ion/polymer batteries.

[We have a tutorial about the batteries in case you have some questions about how to use them.](#) ()

When the CHRG charging light is lit, the battery is being charged. Make sure to have the panel facing direct sunlight not shaded and not behind any glass or plastic! when the battery is full, you'll see the green DONE LED light up.

USB & DC Charging

Of course, sometimes is just really dark out and you can't solar charger, so there's a USB port on the board as well. Use any mini-B cable to plug in and charge.

If there is something connected to the DC jack, it will mechanically disconnect the

mini USB connector so be sure to unplug the solar panel when USB charging



You can also connect a DC wall plug adapter directly into the jack, just make sure its a 5.5mm/2.1mm inner diameter connector, which is very common!



If you need the DC power for something else, you can also connect to the DC input via the 0.1" breakout. While you can feed power into the breakout pins as well, it's not polarity protected so make sure you use a schottky diode or just be really careful.

Indicator LEDs

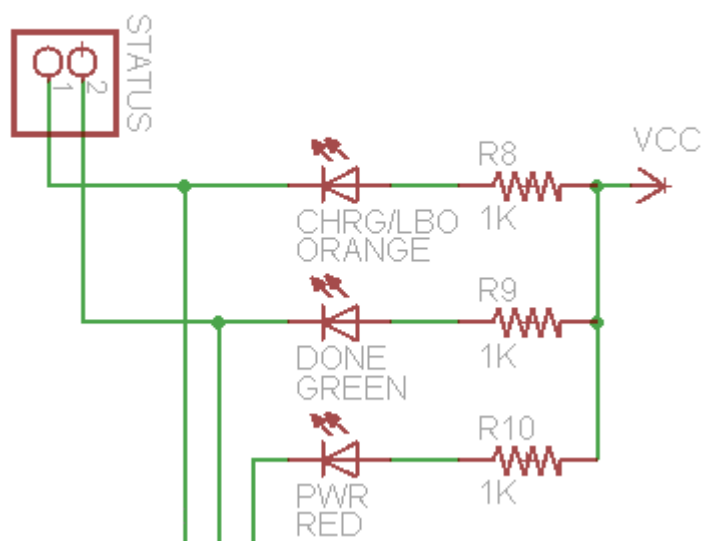
There are three status LEDs on the charger, which you'll find very handy!

The red PWR LED indicates that there is good power connected to the charger. If this LED is not lit, something is wrong with the power supply

The orange CHRГ LED indicates current charging status. When this LED is lit, the charger is working to charge up a battery! It also acts as a low battery indicator (fixed at 3.1V) when no power is connected. So, if you don't have USB/Solar wired up, when the battery voltage drops below 3.1V, the orange LED will come on.

The green DONE LED is pretty easy to understand as well - when it's lit the battery is charged up! Very handy for when you want to know that everything is done.

If you need to connect larger LEDs or a microcontroller up to these status pins, you can use the STATUS 0.1" breakout on the bottom edge of the PCB. The pins are open drain, so they will short to ground when 'active' and float when 'inactive' - you'll want to use a pullup resistor if you need a digital signal or connect LEDs just like shown below on the schematic, if you want bigger lights.



Load Sharing

The MCP73871 chip in the usb/solar charger has a very nifty feature called 'load sharing.' Say you have an every day lipoly charger and you want to use the battery while its charging. To do this, you might connect the project directly to the battery output. This means, however, that the charger is both charging a battery and driving your project at the same time. The charger is working extra hard and the battery is being charged and discharged constantly.

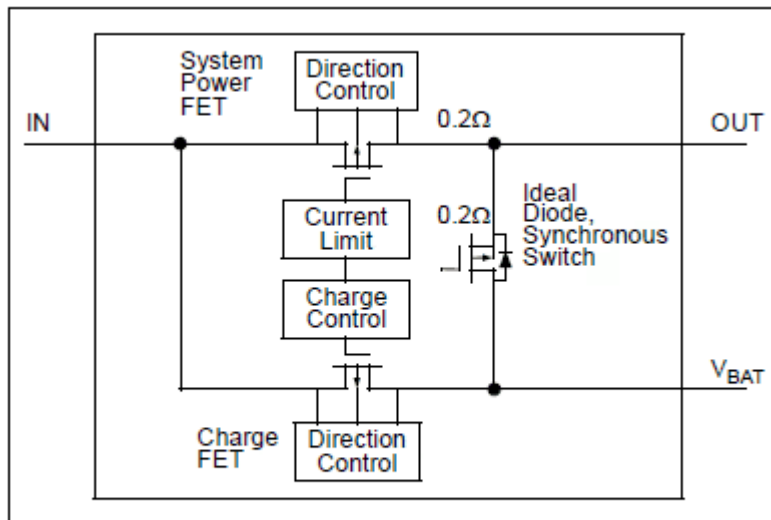
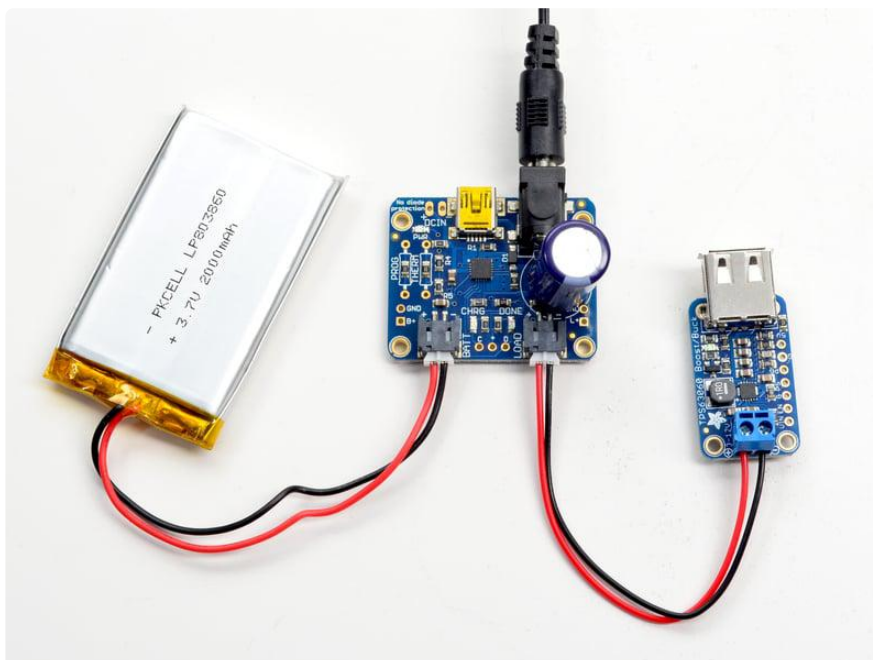


FIGURE 4-2: System Load Sharing Diagram.

As an improvement, this design has a pass transistor inside the chip, connected to the output load from the input voltage, so that you don't lose efficiency from charging/discharging the battery. When the USB/Solar charger is powered from a USB port or panel, the load current goes directly from the input voltage to the output. If the current required is higher than what the panel or USB port can provide, the current is supplemented by the lipo battery, up to 1.8A

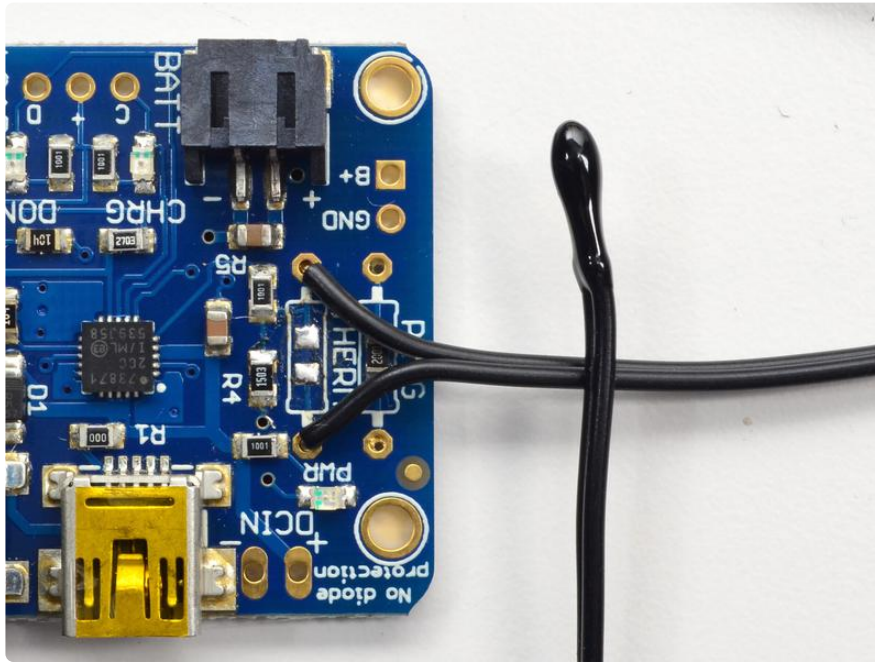
The smart load sharing means that the LOAD output can be as high as 6VDC if in direct sun because it will draw current directly from the 6V panel instead of from the battery. If using this with an electronic project, make sure it is OK for up to 6VDC input or use a low-dropout-regulator (LDO) to regulate the voltage down.



This is all managed at the same time as the solar current maximization. Simply plug in the lipoly battery on the left into the BATT port and connect your project up thru the LOAD port on the right.

Temperature Monitoring

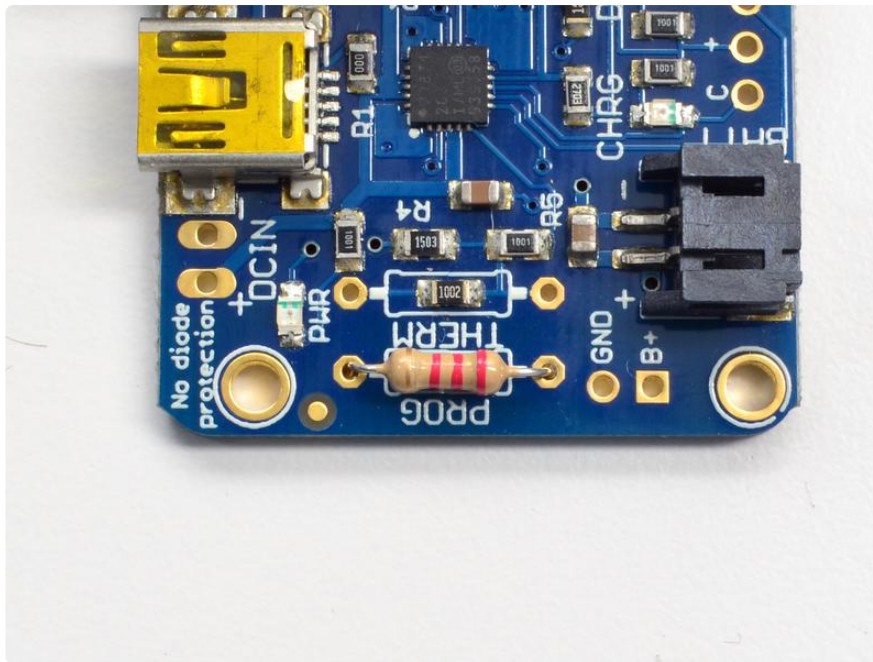
If you plan to have your project outside or unattended, we suggest adding temperature sensing to keep the charger from overheating the battery or attempting to charge when the battery is too hot or cold.



Simply remove the 10K surface mount resistor from the THERM pads (or cut the trace going to it), and [solder in a 10K NTC thermistor](http://adafru.it/372) (<http://adafru.it/372>). Test out the system by trying to charge while you place the thermistor in a freezer or against some ice, as well as in a cup of > 50°C hot water. The charger should stop charging the battery. Once you are sure it is working, attach the sensing element (the epoxy bulb in this case) so it is resting against the battery.

Adjusting the Max Charge Current

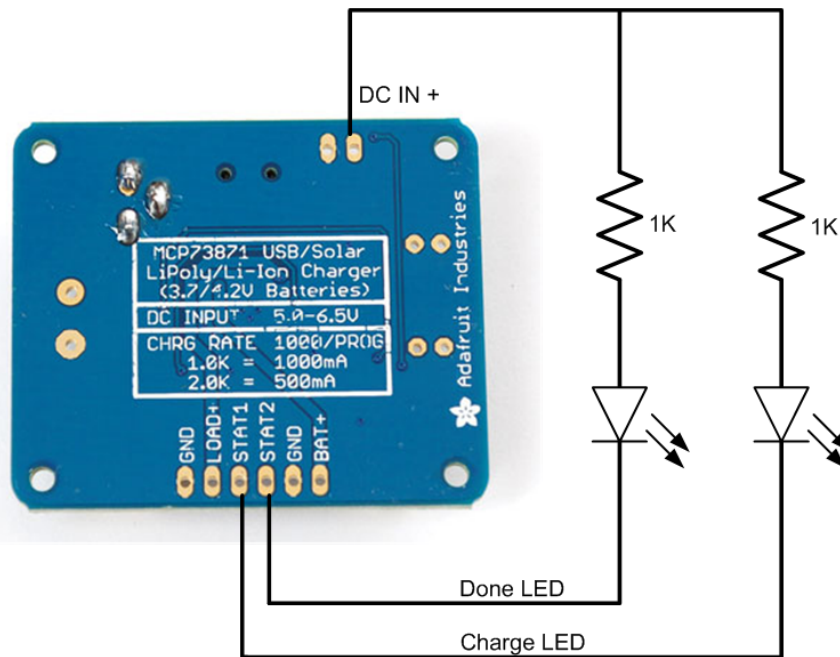
The USB/Solar charger comes with a preset rate of 500mA which will work great for USB ports, USB wall adapters and solar panels up to 3 Watts. If you have a project that uses a larger panel, or perhaps some other sort of setup, you can easily adjust the current by soldering a resistor into the PROG pads.



The current is set by $1000/R_{PROG}$ Amps, where R_{PROG} is the resistance. So for 2 Kohms, that would make it $1000/2000 = 0.5 \text{ A} = 500 \text{ mA}$. If you want 1A, you would use a 1K ohm resistor. If you want to increase the current, you need to decrease the resistance, so you can just solder over the existing 2K. So for example, soldering another 2K resistor into RPROG will give you 1K total resistance and 1000 mA current draw. See above for a 2.2K resistor soldered for about 950mA of max current draw. If you want to set the max current draw lower, you'll need to remove the 2K resistor.

Adding External LEDs

If you are placing the charger in a box, you may want to have external LEDs for indicating charge state. This is easy! Simply use any 3mm, 5mm or 10mm LEDs you wish and 1K resistors and wire them like so:

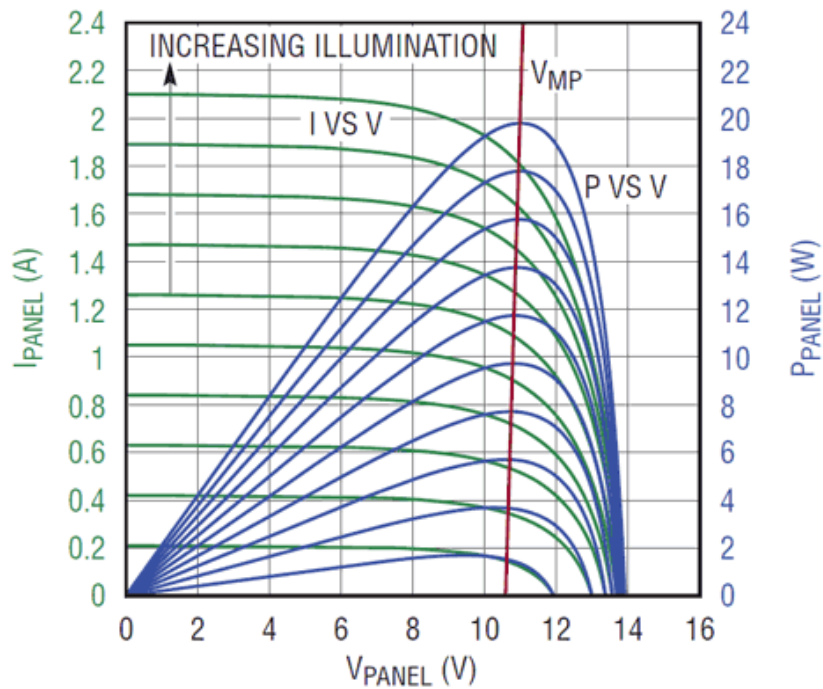


Design Notes

Is this a Max Power Point Tracker (MPPT)?

This design is not a 'true' MPPT, and we did that for a reason! Max power point trackers work by 'tracking' the voltage and current curve of a solar panel so that the total Power (Voltage * Current) is maximized. This means that as the light changes, the voltage and current must be carefully tracked. In general, the way controllers perform MPPT is to have a DC/DC converter - that's because to have the best power conversion you'll want DC/DC not linear converters (that lose any excess voltage as heat). For example, say you want to charge a 6V lead acid battery and you have a 12V (approx) panel. The voltage will range between 9V and 14V depending on current draw and visible light. The buck converter will do its best to keep the current draw so that the total power available at the output is maximized.

This [diagram from Linear \(\)](#) is really good at describing how it works:



The Green lines show the I-V curve of the panel for a given light condition. As the light increases the voltages stay sort of the same but the amount of current you can draw goes up! If you can keep the DC/DC converter operating on the red line, that's the maximum power.

However, there are some side effects to using a MPPT design.

First is that DC/DC converters are expensive, and adding a DC/DC converter to a LiPo charger chip increases the cost by 2x. For small panels, if the MPPT increases the efficiency by 30% but you can double the panel size for the same price increase, it might be easier to just go with a larger panel.

Second is that DC/DC converters are not necessarily more efficient than a linear converter at low voltages and currents. At the voltages we're talking about, a 6V panel charging a 4V battery, the max power point will tend to be around 5V - only a volt above the battery. Considering there's a 0.5V drop with the input diode, the added inefficiency of a DC/DC converter is about equivalent to the extra voltage drop used by the linear charger. For this reason, you tend to see MPPT controllers only for multi-ampere chargers for big lead acid batteries and really big panels.

So the upshot is...

If your panel voltage is ~1V above your battery charging voltage, your current draw is under an Ampere, and you control the current draw to keep the voltage steady at around the 'max power voltage' (the red line up above), it's possible to get near-MPPT

performance, without the complexity of a DC/DC converter, and without the high price. That's what the design of this charger does.

Why a special solar charger?

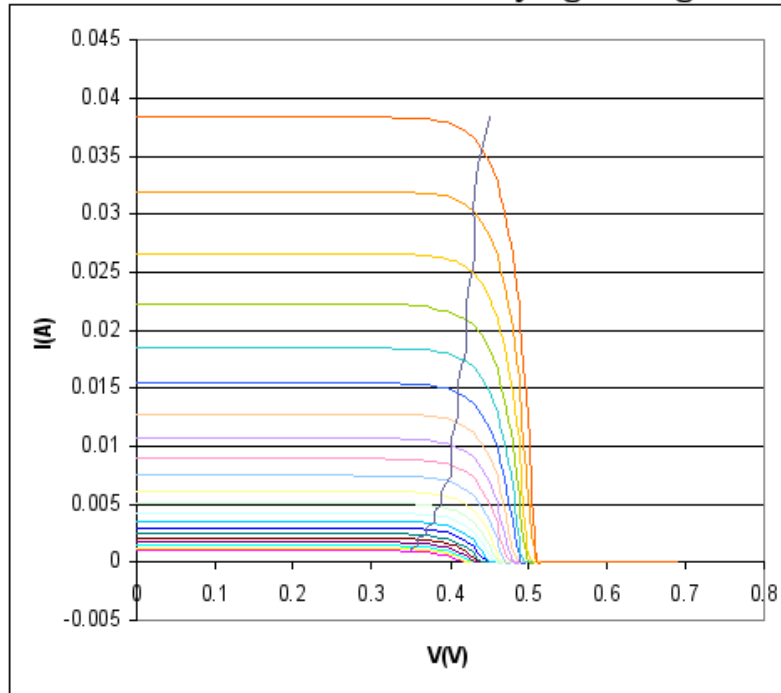
We've had a lot of customers that are interested in making solar powered projects, so we wanted to make a lipo charger board that is specifically designed with Solar & USB charging in mind. We'll explain why...

Most people try to plug a solar panel directly into a lipo charger and while it sort of works, the battery takes forever to charge because the efficiency is terrible! That's because most lipo chargers are meant to plug into a USB port or wall, and are very simple in their design. USB ports supply 5V at up to 500mA and they're pretty solid - the voltage doesn't change much even at the max current draw. So when you plug a charger into a computer with a USB port, they just draw 500mA or so and happily chug away. Same goes for wall adapters. The voltage and current limits are kept steady.

Solar panels are a little different, the voltage and current vary constantly depending on sunlight available. They are unstable! That instability confuses battery chargers, which causes them to do one of two things: rapidly turn on and off as they try to draw more current from the panel than possible and/or draw much less current than they can, to keep the voltage from collapsing

Here is a diagram of a single solar cell, in various light conditions (the colored rainbow lines):

Solar Cell I-V Curve in Varying Sunlight



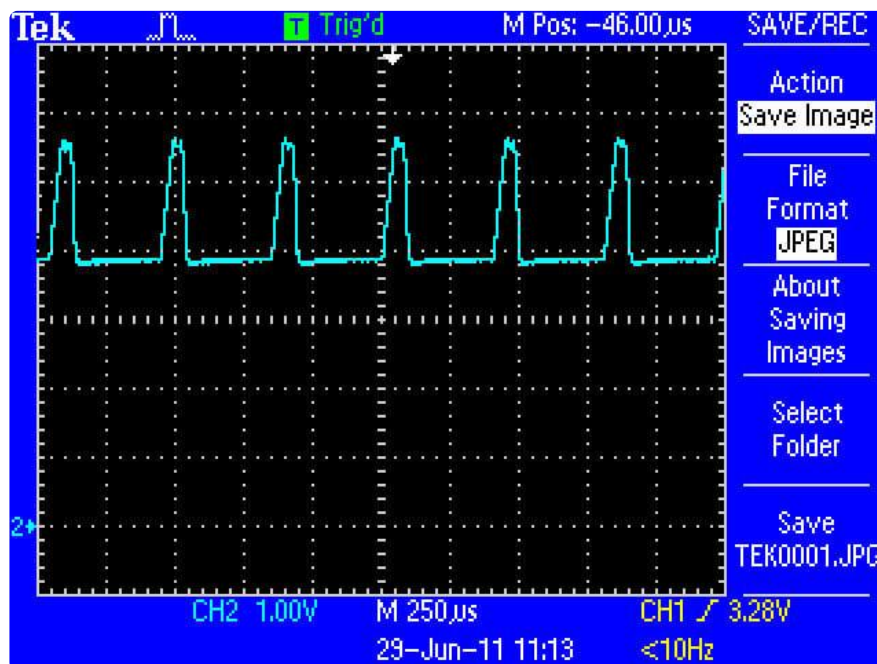
We find these diagrams common but a bit confusing. So we'll show how to use them. Pick the top red line (maximum light) and start at the very right of the line where it meets the horizontal scale. This is the current (I) = 0 point. We're drawing no current and the voltage of the cell is 0.5V. 0.5V is the open circuit voltage. Keep following the graph up and to the left. As the current draw increases, the voltage drops slightly until we reach the point of drawing 38mA (0.038A). At this point, the voltage is around 0.4V. Next draw a bit more current, moving to the left some more and the voltage starts collapsing. We can try to draw more current but as you can see, drawing even a tiny bit more than 38mA makes the cell voltage drop to 0V. 38mA is the short circuit current

Depending on the light conditions, the amount of maximum current can range, from 38mA (red) to 32 mA (orange) down to 5mA (yellow) or even lower. Solar cells can be made larger (the short circuit current is bigger) but the voltage of the cell is fixed at 0.5V open circuit - it's just part the physics of the cell. However, you can connect a bunch of cells in series to add them up. A 6V panel has 12 cells ($12 * 0.5V = 6V$)

Now you can see what happens if you connect a 6V solar panel to a lipoly charger. As long as the current being drawn by the charger is less than the panel's short circuit current at that light condition, everything is peachy. The moment the light changes even a little, and the current the lipo charger wants is higher than the short circuit current, the charger becomes unstable: it will draw too much current, which will cause the voltage to collapse, which causes the charger to turn off, which reduces the

current draw, which makes the panel voltage recover, which turns on the charger again, which then draws too much current, and the cycle repeats.

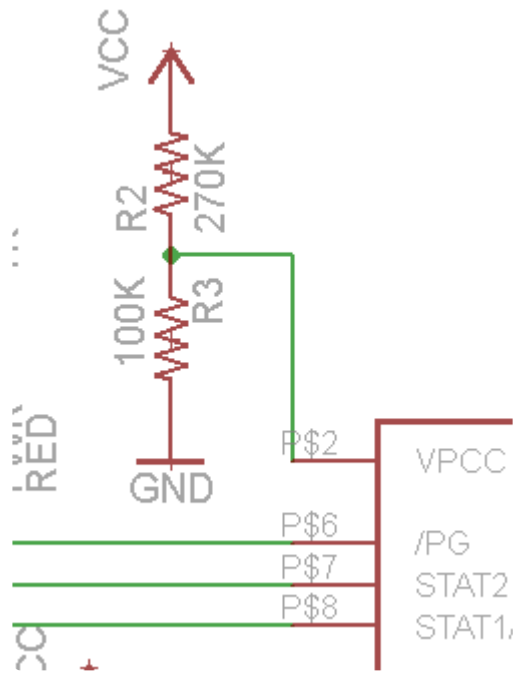
You can see this happen in the image from my scope below:



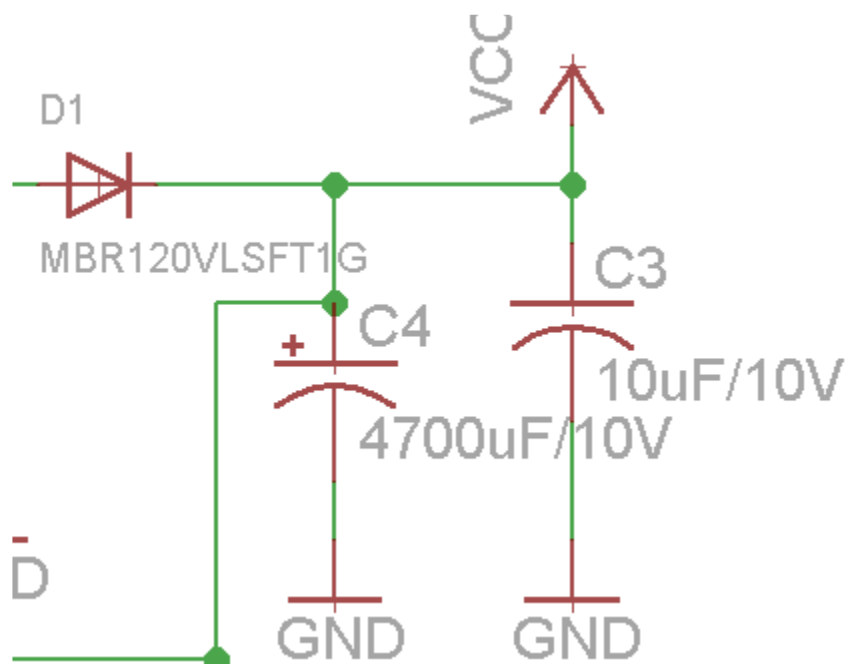
The scale is 1V per square, and the 0V point is one square above the bottom of the display (see the 2-> on the left) The open circuit voltage of the panel is about 6.5V, the lipo charger draws some current and quickly the panel voltage collapses. After 250 us, the charger tries again, but fails again. The lipo charger may seem to be charging because the CHRG light is on but really its doing a poor job of it!

Solar Optimization!

OK so how do we fix this problem? The issue we have here is that the voltage collapses during high current draw. We need to find a way to keep the lipo charger from drawing too much current, and backing off when the voltage starts to droop. We looked high and low and finally found a chip that has something like this built in. The MCP73871 calls it Voltage Proportional Charge Control (VPCC) and basically, it does precisely what we want. We can set the voltage to a point just above the battery charge voltage point (say 4.5V) and then instruct the charger to draw as much current as possible. It will automatically increase/reduce the charge rate to keep the voltage higher than 4.5V!



In this case, we set the voltage using two resistors, the voltage divider ends up stabilizing it at ~4.5V. Because the voltage collapse of a panel is really sudden, we still end up needing a little more help stabilizing the panel. We do that by adding a BFC (Big Freaking Capacitor).



This schottky diode charges a 4700uF capacitor from the panel - the diode prevents the capacitor from draining back into the panel.

Downloads

Files

- [MCP73871 datasheet \(\)](#)
- [Fritzing object in Adafruit Fritzing library \(\)](#)
- [EagleCAD Board / Layout & Schematic files on Github \(\)](#)

Schematic & Fabrication Print

