

THIS DRAWING IS UNPUBLISHED.

RELEASED FOR PUBLICATION

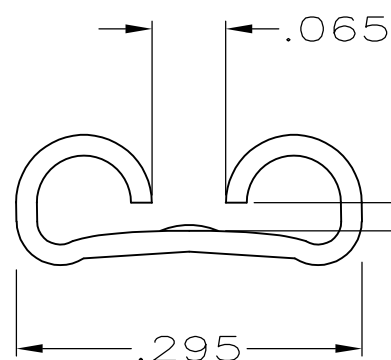
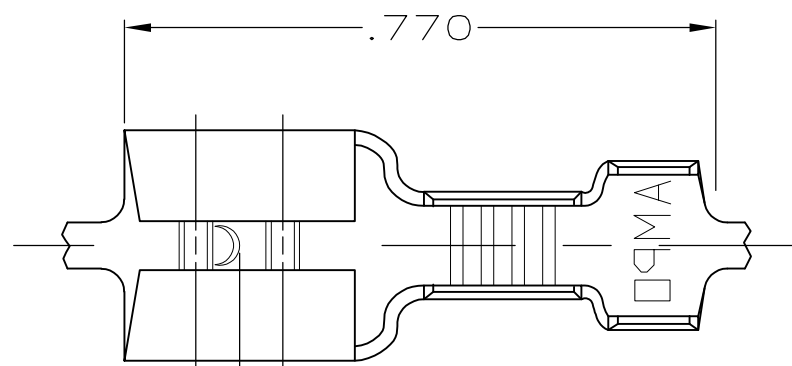
ALL RIGHTS RESERVED.

© COPYRIGHT - By -

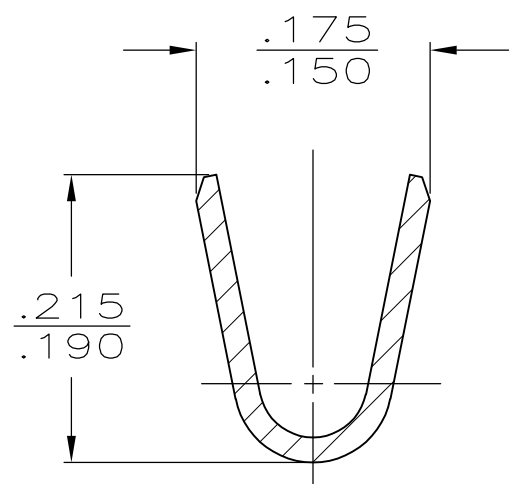
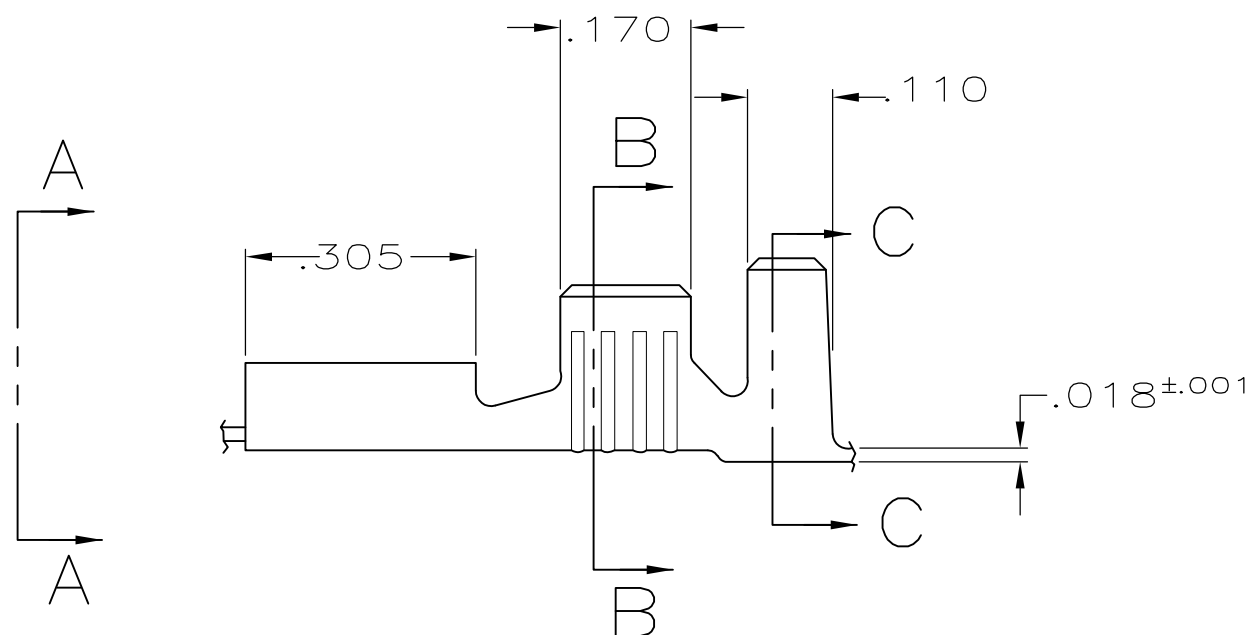
LOC AF DIST 50

REVISIONS

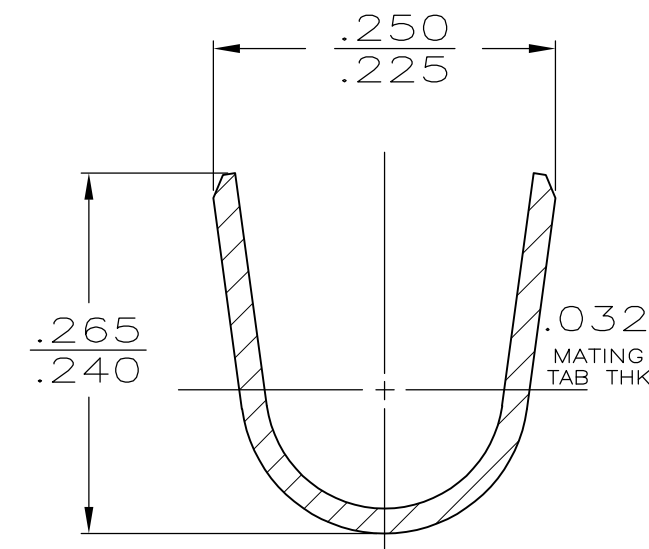
P	LTR	DESCRIPTION	DATE	DWN	APVD
	F	REVISED PER ECR-12-013459	29NOV2012	KH	PD



SECTION A-A



SECTION B-B



SECTION C-C

- 1 SILVER PLATE .000015 MIN THK
- 2 INSULATION RANGE: .150 - .200
- 3 WIRE SIZE: 14 - 10 AWG

.032	1	BRASS	61095-1
MATING TAB THK ±.001	FINISH	MATERIAL	PART NO

THIS DRAWING IS A CONTROLLED DOCUMENT.		DWN DK SCHRUM 5/19/89	TE Connectivity													
DIMENSIONS: INCHES		CHK JR RUTH 7/2/89														
TOLERANCES UNLESS OTHERWISE SPECIFIED:		APVD C MEYERS 7/3/89														
<table border="1"> <tr><td>0 PLC</td><td>± -</td></tr> <tr><td>1 PLC</td><td>± -</td></tr> <tr><td>2 PLC</td><td>± -</td></tr> <tr><td>3 PLC</td><td>± .015</td></tr> <tr><td>4 PLC</td><td>± -</td></tr> <tr><td>ANGLES</td><td>± -</td></tr> </table>		0 PLC	± -	1 PLC	± -	2 PLC	± -	3 PLC	± .015	4 PLC	± -	ANGLES	± -	NAME	RECEPTACLE, FASTON,™ 250 SERIES	
0 PLC	± -															
1 PLC	± -															
2 PLC	± -															
3 PLC	± .015															
4 PLC	± -															
ANGLES	± -															
MATERIAL SEE TABLE		PRODUCT SPEC	SIZE	CAGE CODE	DRAWING NO	RESTRICTED TO										
FINISH SEE TABLE		APPLICATION SPEC	A300779 C-61095													
		WEIGHT -	CUSTOMER DRAWING		SCALE 4:1	SHEET 1 OF 1	REV F									