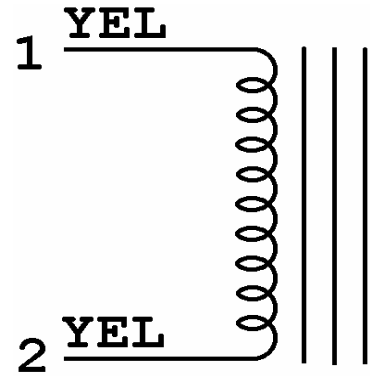
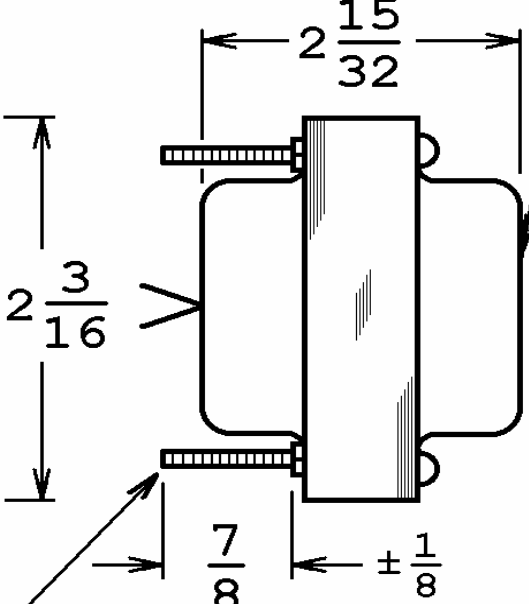
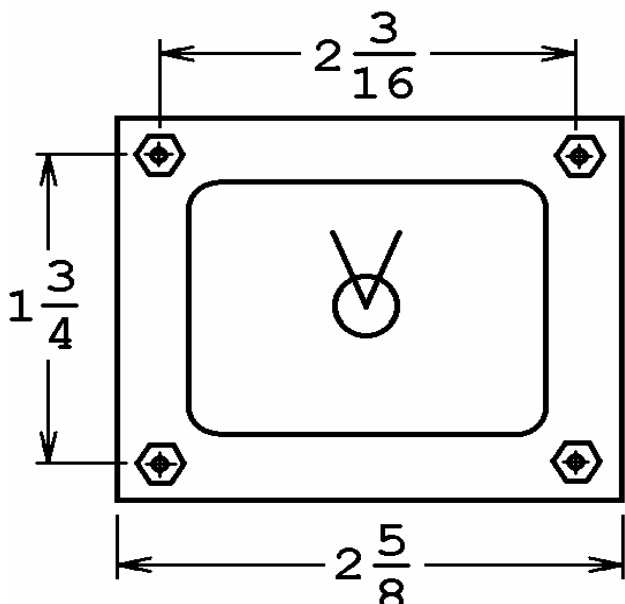


40-18047

This drawing is the property of Magnetic Components, Inc. and shall not be reproduced, in whole or in part, without the written permission of Magnetic Components, Inc.

REVISIONS		DATE	APPROVED
LTR	DESCRIPTION		
A	ADD D.C.R.	04/05/11	M. Sacketti

*Classic Tone*TM
By Magnetic Components, Inc.
40-18047
166-DATE
MADE IN U.S.A.



L = 2.3 Hy, 250mA DC
D.C.R = 57 OHMS

UNLESS OTHERWISE SPECIFIED ALL DIMENSIONS IN INCHES DO NOT SCALE DRAWING	SIGNATURES		DATE	MAGNETIC COMPONENTS, INC.	DIV : LOC : SCHILLER PK	
	DRAWN : <i>M. Sacketti</i>		30 AUG 10	TITLE CHOKES, LESLIE		
	CHECK :					
	APPR : <i>M. Sacketti</i>		30 AUG 10	CAGE 50508	SIZE A	PART No. 40-18047
FRACTIONS +/-			SCALE NONE			SHEET :
.X = +/-						
.XX = +/-						
.XXX = +/-						
ANGLES = +/-						