

Product Specification for Approval

WE ARE PLEASED IN SUBMITTING OUR SAMPLES WITH SPECIFICATION TO YOU FOR APPROVAL.

CUSTOMER	:	
DESCRIPTION	:	Common Mode Choke
MNC P/N	:	CM1385SG771N
VERSION	:	A0
CUSTOMER P/N	:	
ISSUED DATE	:	2020/4/26
PHOTO OF PRODUCT	:	
WEIGHT	:	6.0g
MADE IN	:	CHINA



APPROVED BY MNC		
PREPARED BY	CHECKED BY	APPROVED BY

APPROVED BY CUSTOMER
SIGNATURE OR STAMP

1. PLEASE SEND BACK US A COPY OF THE SPECIFICATION WITH YOUR STAMP OR SIGNATURE ONCE THE SAMPLES APPROVED.
2. IT WILL BE DEEMED THE SAMPLES TO BE APPROVED IF NO FEEDBACK.

东莞铭普光磁股份有限公司
 Add: Shipai Town, Dongguan City, Guangdong Province, China

TEL: +86-769-86921000
 FAX: +86-769-81701563



东莞铭普光磁股份有限公司

Dongguan Mentech Optical & Magnetic Co., Ltd.

HISTORY FOR REVISED SPECIFICATION

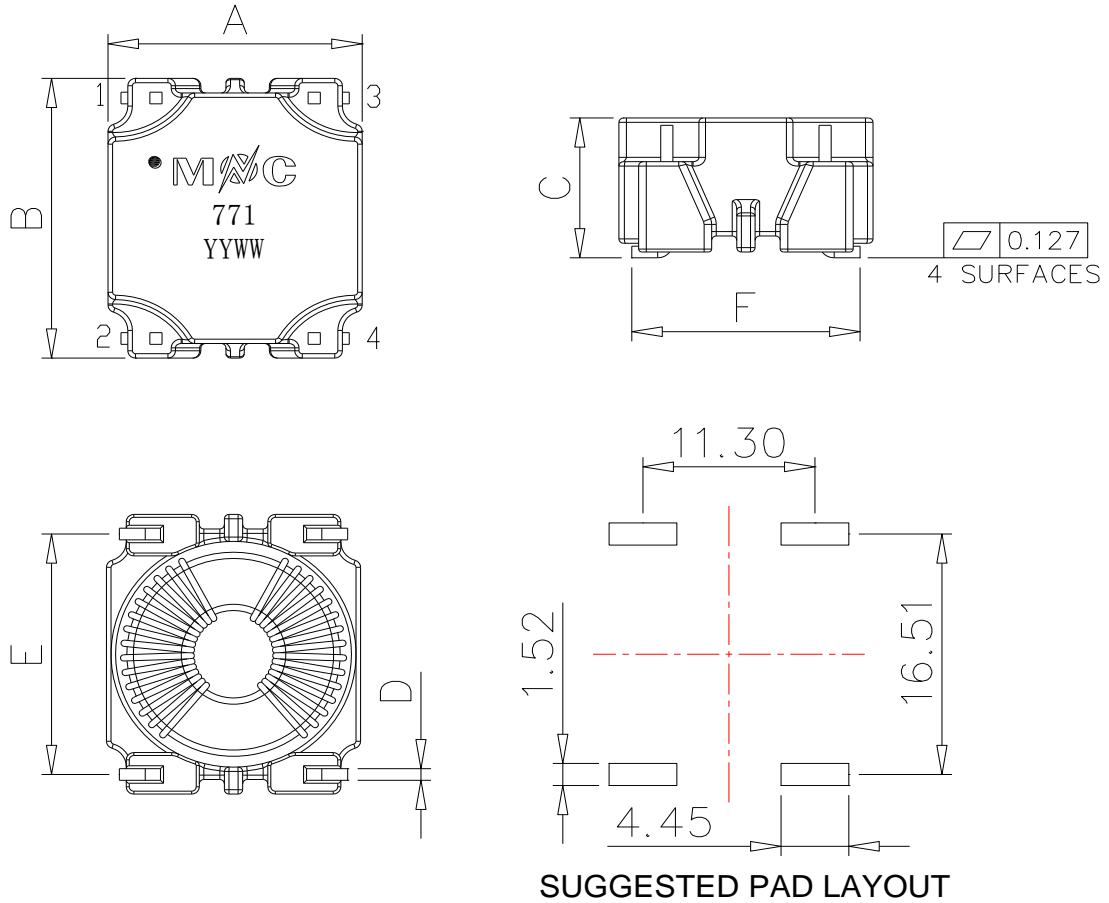
Part No. CM1385SG771N

INDEX

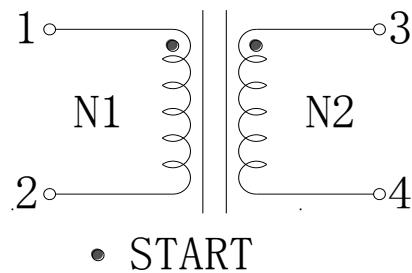
1. INDEX-----	1
2. CHANGE RECORD-----	1
3. MECHANICAL-----	2
4. SCHEMATIC-----	3
5. PACKING-----	4
6. MATERIAL LIST-----	5
7. RECOMMENDED SOLDERING PROFILE-----	6

CHANGE RECORD

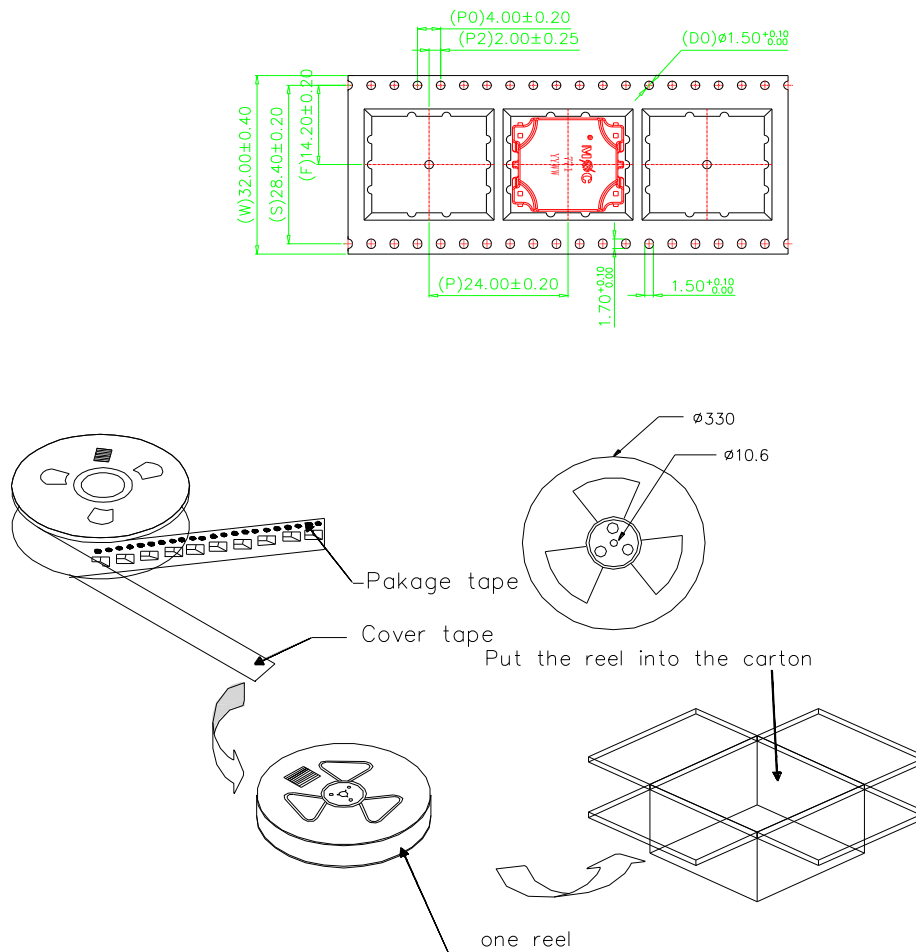
REV.	DESCRIPTION (Content or Reason For Change)	DATE	REVISOR
A0	Initial release	2020/4/26	Alakay

SPECIFICATION
Part No. CM1385SG771N
A. MECHANICAL:


DIM	MILLIMETERS			INCHES		
	MIN	NOM	MAX	MIN	NOM	MAX
A	/	/	17.00	/	/	0.669
B	/	/	19.50	/	/	0.768
C	/	/	10.00	/	/	0.394
D	/	0.60	/		0.024	/
E	16.21	16.51	16.81	0.638	0.650	0.662
F	/	/	15.50	/	/	0.610

SPECIFICATION
Part No. CM1385SG771N
B. SCHEMATIC :

C. ELECTRICAL SPECIFICATION @25°C

ITEM	SPECIFICATION	TEST CONDITION	TEST EQUIPMENT
INDUCTANCE: (1-2)	770uH ±35%	10KHz, 0.1V	TH2819XB OR EQU.
INDUCTANCE: (3-4)	770uH ±35%	10KHz, 0.1V	TH2819XB OR EQU.
DC RESISTANCE: (1-2)	25mΩ MAX	25°C	TH2512B OR EQU.
DC RESISTANCE: (3-4)	25mΩ MAX	25°C	TH2512B OR EQU.
HI-POT: (1-2) to (3-4)	1000Vac	1mA, 1Sec, 50Hz	TH9201S OR EQU.
TURNS RATIO: (1-2) : (3-4)	1:1±5%	20KHz, 1V	TH2819XB OR EQU.
RATED CURRENT:	3.6A Max ΔT≤40°C (无风环境下)		
OPERATING TEMPERATURE RANGE:	-40°C to +85°C		
STORAGE TEMPERATURE RANGE:	-40°C to +125°C		

PACKAGE
Part No. CM1385SG771N
1. PACKING:
a. PACKAGING AS BELOW (ONLY FOR REFERENCE):

b. Q'TY:

250pcs/reel
 6reel/carton
 1500pcs/carton

c. LABEL:

REMARK:

ABOVE PACKING IS FOR YOUR REFERENCE ONLY, WHICH MIGHT BE CHANGED WITHOUT NOTICE.

MATERIAL LIST
Part No. CM1385SG771N
BOM

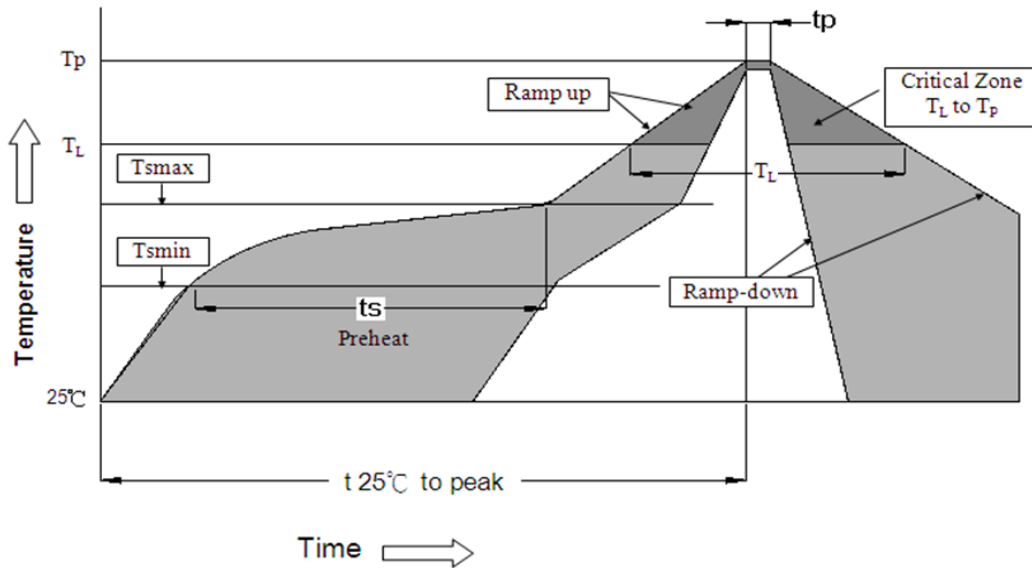
MATERIAL LIST					
NO.	ITEM	MATERIAL	RATING	SUPPLIER OF MATERIAL	UL
1	CORE	Mn-Zn	-----	RUYUAN DONGYANGGUANG MAGNETIC MATERIALS CO.,LTD	N/A
				SUNSINE ELECTRONIC TECHNOLOGY CO., LTD. OR EQU.	
2	WIRE	*xUEW180	180°C	ZHUHAI SUNTEK WIRE CO.,LTD OR EQU.	E234867
3	EPOXY	9053A/B	-----	MIANYANG WELLS ELECTRONIC MATERIALS CO., LTD. OR EQU.	E223455
4	CASE	PHENOLIC (WH-8100F)	130°C	WAH HONG INDUSTRIAL CORP.	E150608
		PHENOLIC (PM-9630)	150°C	SUMITOMO BAKELITE CO LTDOR EQU.	E41429
5	SOLDER	Sn99.3Cu0.7 LF-303	-----	ELECTROLOY METAL(SHENZHEN)CO.,LTD. OR EQU.	N/A

RECOMMENDED SOLDERING PROFILE

Part No. CM1385SG771N

1. RECOMMENDED REFLOW SOLDERING PROFILE:

Below content is only for your reference.



- $T_L = 217^\circ\text{C}$
- $T_p = 250^\circ\text{C}$
- $t_s = 60-180\text{s}$ $T_s \text{ max} = 200^\circ\text{C}$ $T_s \text{ min} = 150^\circ\text{C}$
- $T_L = 60-150\text{s}$
- $T_p = 20-40\text{s}$
- $T_{25^\circ\text{C to peak}} = 8 \text{ min max}$
- Ramp up rate = 3°C/s max
- Ramp down rate = 6°C/s max
- *RoHS Compliant
- *Solder Paste SAC 305 Sn 96.5/Ag 3.0/Cu 0.5
- *Silkscreen thickness: 0.15mm Min

2. MOISTURE SENSITIVE LEVEL:

- 2.1. Level: 1
- 2.2. Shelf Life: Unlimited
- 2.3. Storage Condition: $\leq 30^\circ\text{C}/85\% \text{ RH}$