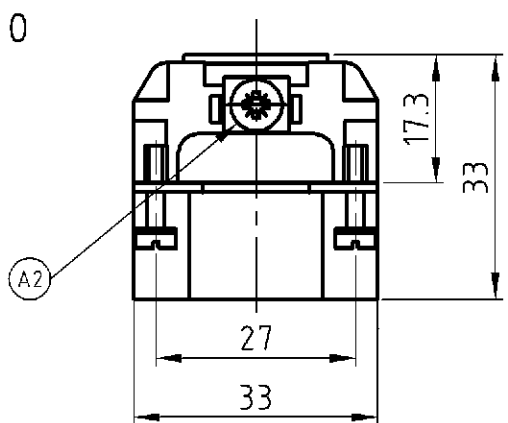
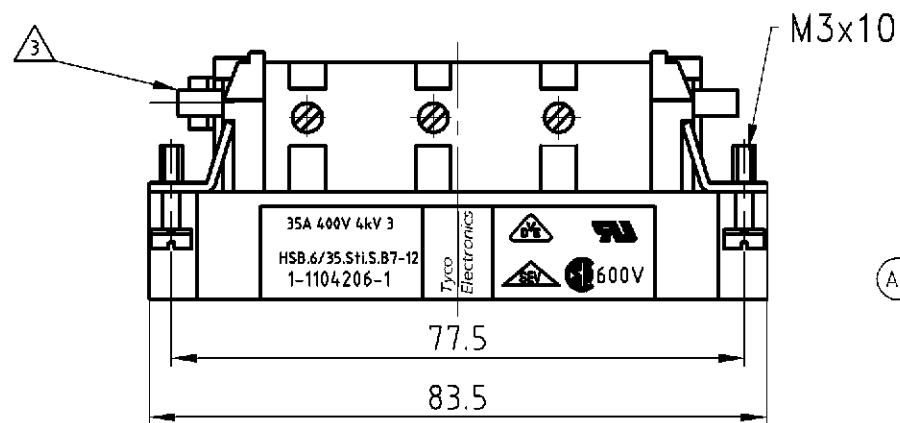


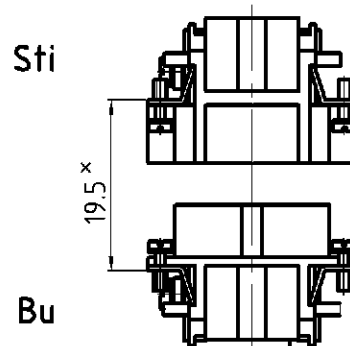
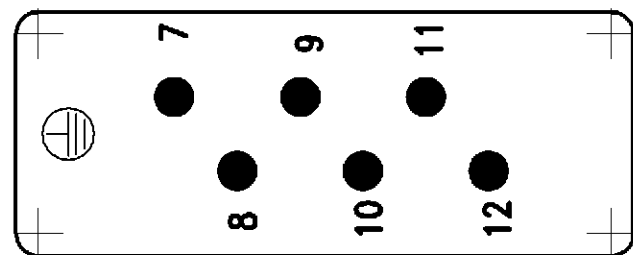
LOC	DIST	REVISIONS ÄNDERUNGEN		
AI	-	P	LTR	DATE
PROJEKT NR.:		A3	ECR-17-014051	05APR18
				DWN
				APVD
				SG
				MKO



- NOTES
- 1 FINISH: CONTACT , AG
 - 2 POWER CONTACT: 7 TO 12
OUTER DIMENSIONS OF INSULATION: MAX. Ø 7.0 MM
 - 3 GROUNDING CONTACT
 - 4 SUITABLE HOOD SIZE 6: SERIES HB; HD; EMV; HIP
 - 5 STANDARDS:
DIN EN 61984; DIN EN 60664-1
 - 6 PACKAGING: 5 PIECES IN A CARTON
 - 7 SUPERSEDED BY T2060122101-000

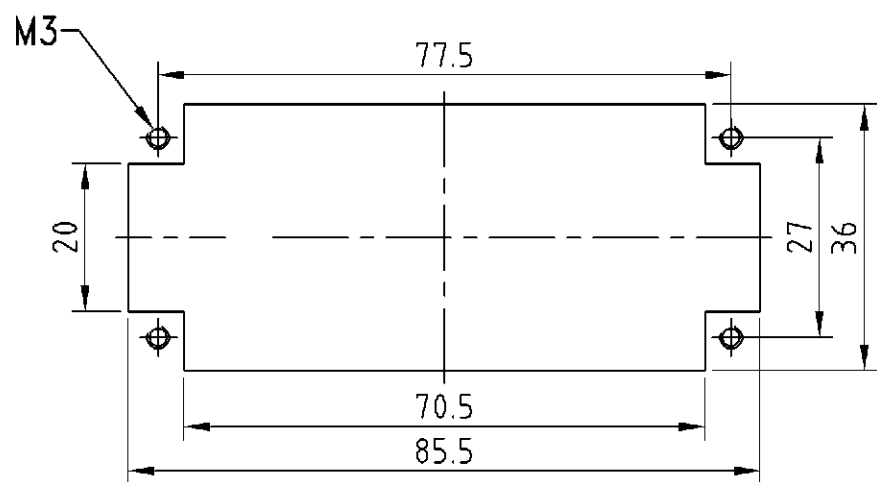
Contact arrangement view from termination side

Assembling instruction



X Distance for guaranteed contact max: 21 mm

Panel cut-out for contact insert when used without housing



1	DESCRIPTION	MATERIAL	COLOR	ITEM NO. POS.	REMARKS
1	male insert		beige	1	-
1-1					
HSB.6/35.Sti.S 7-12 ORDERING TEXT / BESTELLTEXT	<small>THIS DRAWING IS A CONTROLLED DOCUMENT FOR AMP INCORPORATED. IT IS SUBJECT TO CHANGE AND THE CONTROLLING ENGINEERING ORGANIZATION SHOULD BE CONTACTED FOR THE LATEST REVISION. DIESES ZEICHNUNGS-DOKUMENT WIRD DURCH AMP INCORPORATED KONTROLLIERT. ÄNDERUNGEN, DIE DEM TECHNISCHEN FORTSCHRITT DIENEN, SIND VORBEHALTEN. DEN JEWELNS LETZT GÜLTIGEN ÄNDERUNGSSTAND ERFAHREN SIE AUF ANFRAGE.</small>		DWN Rösgen 04.06.1998		
	<small>DIMENSIONS: DIMENSIONEN: mm</small>		CHK	NAME	
	<small>TOLERANCES UNLESS OTHERWISE SPECIFIED: ALLGEMEINTOLERANZEN</small> p. ISO 8015 p. ISO 2768 - mH - E p. DIN 16901 - 14.0		APVD -	MALE INSERT HSB.6/35.STI.S 7-12	
			PRODUCT SPEC PRODUKTSPEZ. 108-74.006	SIZE	
	<small>MATERIAL</small>		APPLICATION SPEC VERARBEITUNGSSPEZ. 114-74.007	CAGE CODE 00779	DRAWING NO ZEICHNUNGS-NR. C-1104206
		WEIGHT GEWICHT 86 g	MASSSTAB 1:1	BLATT 1	OF VON 1
		CUSTOMER DRAWING	/KUNDENZEICHNUNG		REV A3