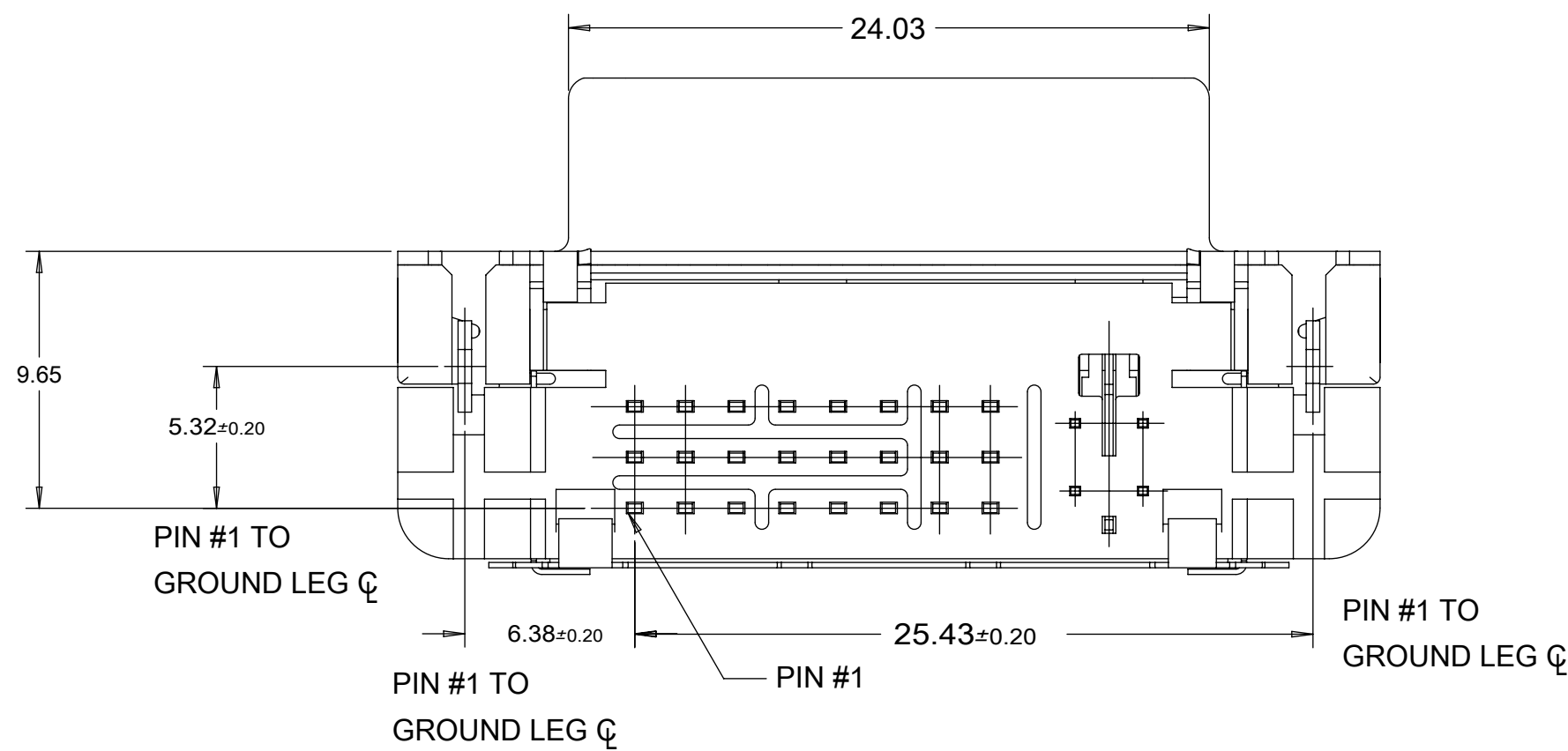
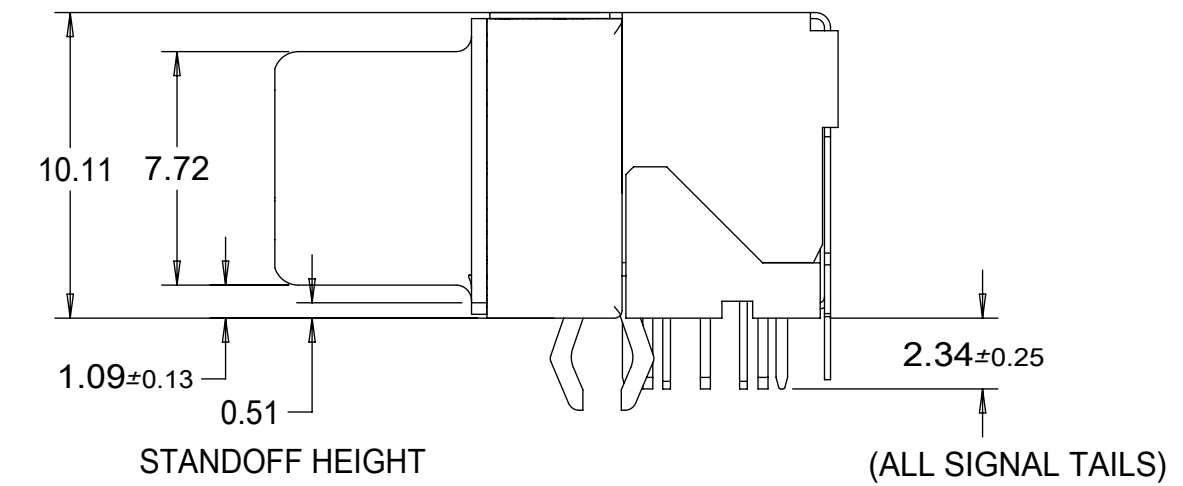
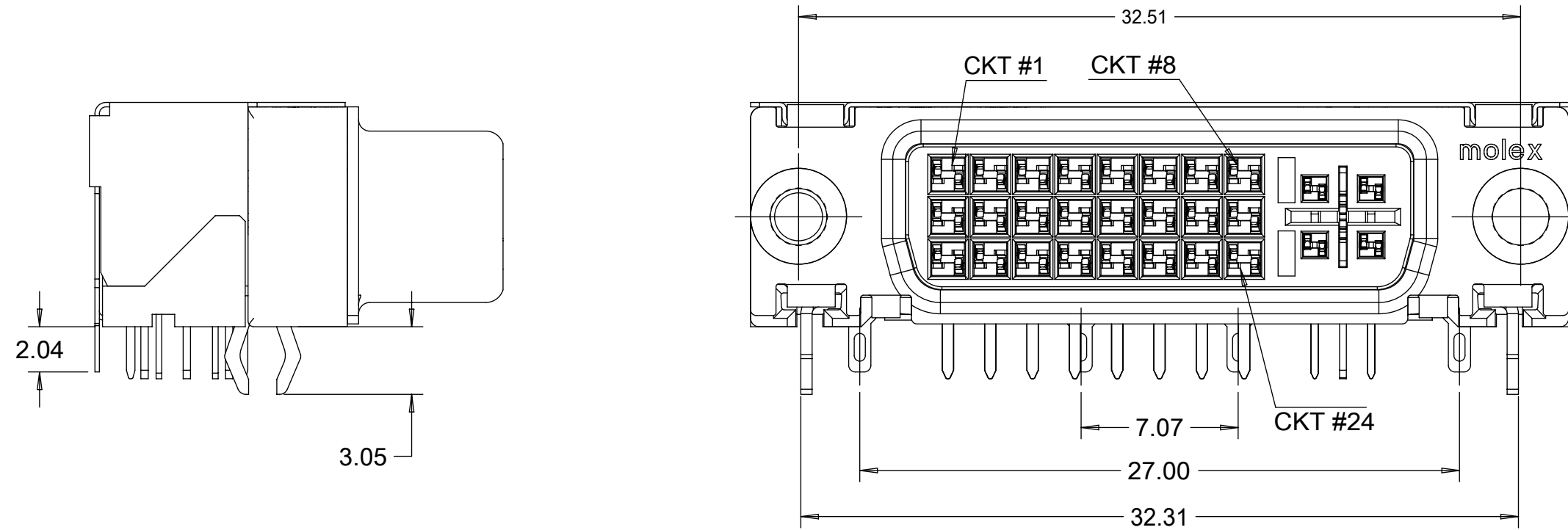
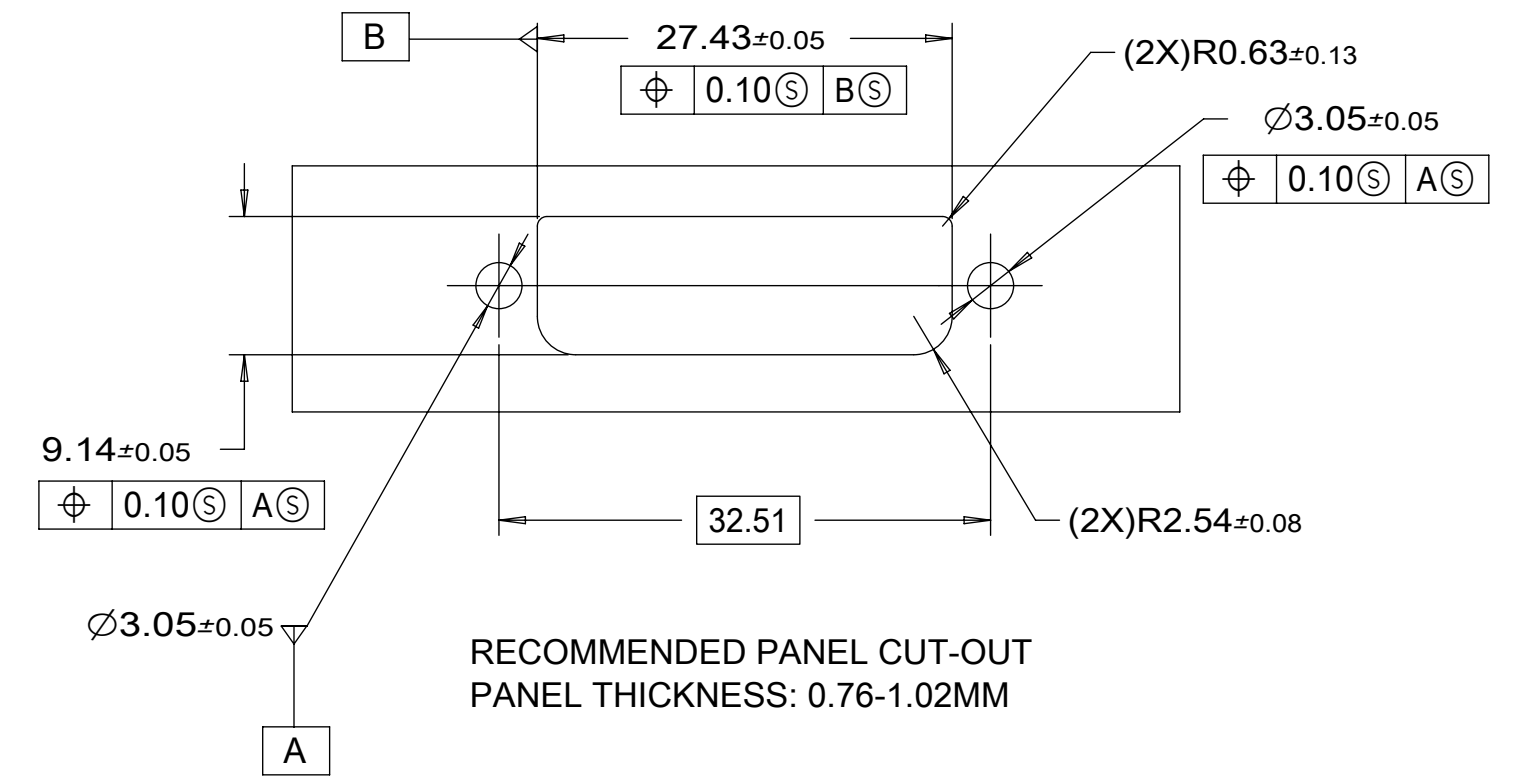
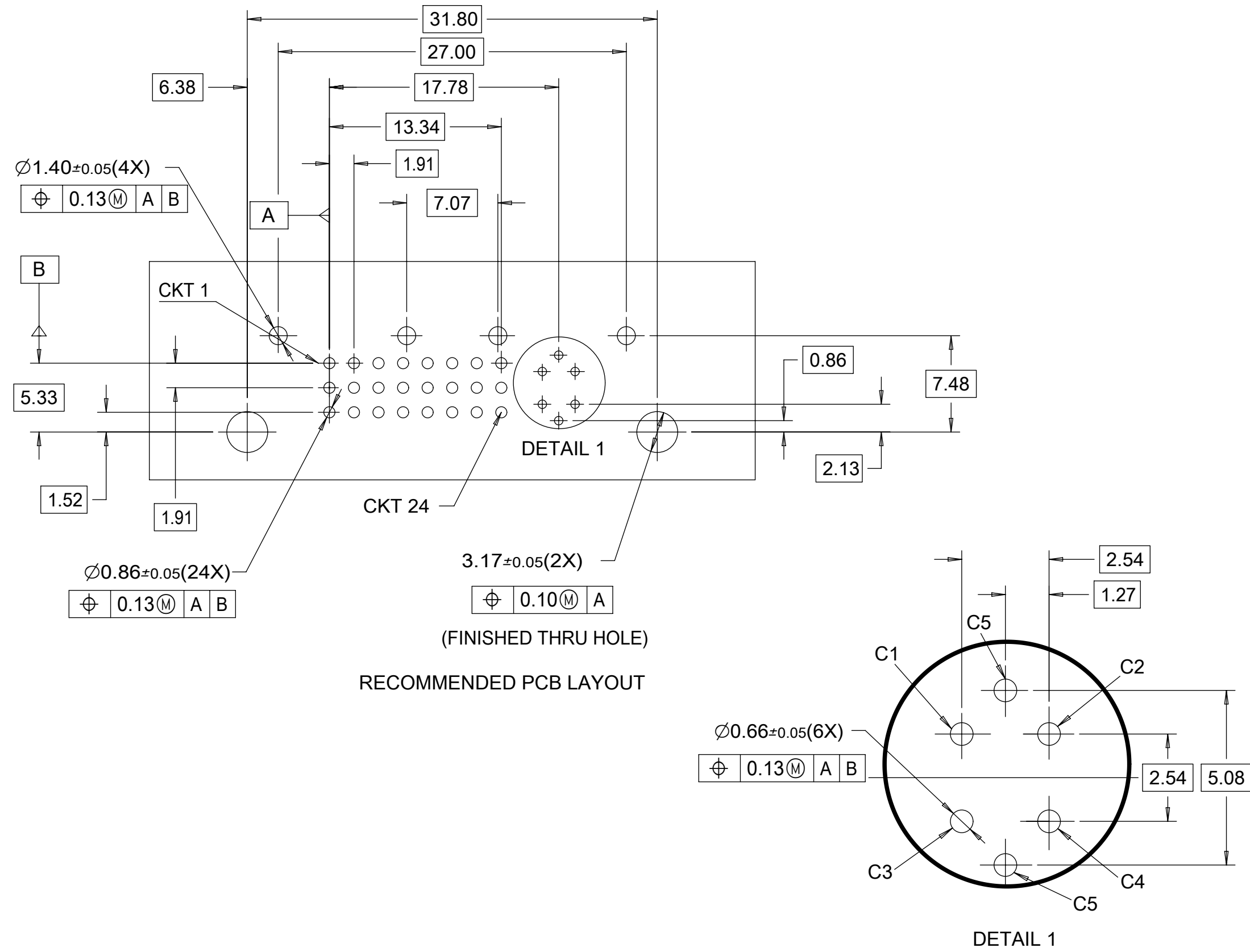


- NOTES:
- MATERIAL:
 FRONT SHIELD: DEEP DRAW STEEL;
 BACK SHIELD: STAINLESS STEEL;
 HOUSING: LCP, UL94V-0, NATURAL (WHITE);
 TAIL ALIGNER: LCP, UL94V-0, NATURAL (WHITE);
 CONTACT: COPPER ALLOY.
 - PLATING: SEE SHEET 2.
 - PRODUCT CONFORMS TO MOLEX PRODUCT SPECIFICATION NUMBER PS-74320-001.
 - SEE SHEET 2 FOR RECOMMENDED PANEL CUT-OUT AND P.C.B. LAYOUT.
 - PARTS WILL BE PACKAGED IN TRAYS PER PK-74320-044.
 - PRODUCT CONFORMS TO DDWG DVI SPECIFICATION. REFER TO THIS SPECIFICATION FOR CONNECTOR MATING DIMENSIONS.
 - RECOMMENDED MOUNTING HARDWARE IS MOLEX P/N 88780-6066. REFER TO PRODUCT SPECIFICATION NUMBER PS-74320-001 FOR THIS APPLICATION TORQUE REQUIREMENT FOR ASSMBLING MOUNTING HARDWARE.



QUALITY SYMBOLS	THIS DRAWING CONTAINS INFORMATION THAT IS PROPRIETARY TO MOLEX ELECTRONIC TECHNOLOGIES, LLC AND SHOULD NOT BE USED WITHOUT WRITTEN PERMISSION			
▽ = 0	CHANGE SHELL PLATING EC NO: 118825 DRWN: XQZHANG CHKD: XQZHANG REV: APPR: AYIN	2016/08/17 2016/08/16 2017/07/10	GENERAL TOLERANCES (UNLESS SPECIFIED)	DIMENSION UNITS
▽ = 0			MM	
▽ = 0			ANGULAR TOL ± 1.0 °	SCALE
▼ = 0			4 PLACES ±	1:1
▽ = 0			3 PLACES ±	DRWN BY
▽ = 0	2 PLACES ± 0.25	2 PLACES ± 0.25	DATE	
▽ = 0	1 PLACE ± 0.25	1 PLACE ± 0.25	XQZHANG	
☒ = 0	0 PLACES ±	0 PLACES ±	2014/12/11	
■ = 0	DRAFT WHERE APPLICABLE MUST REMAIN WITHIN DIMENSIONS		CHK'D BY	
▽ = 0	A2		DATE	
	THIRD ANGLE PROJECTION		XQZHANG	
	A2		2014/12/10	
	A2		APPR BY	
	A2		DATE	
	A2		AYIN	
	A2		2015/02/09	
	A2		PRODUCT CUSTOMER DRAWING	
	A2		SERIES	MATERIAL NUMBER
	A2		74320	74320-1033
	A2		CUSTOMER	
	A2		GENERAL MARKET	
	A2		DOCUMENT NUMBER	DOC TYPE
	A2		SD-74320-133	PSD
	A2		DOC PART	SHEET NUMBER
	A2		000	1 OF 2

RELEASE STATUS	RELEASE DATE
13	12



PLATING OPTIONS:

FRONT SHIELD -- 60u"/(1.5um) MIN. SOLDERABLE NICKEL OVER
30u"/(0.75um) MIN. COPPER OVERALL.

BACK SHIELD -- 50u"/1.27um MIN. BRIGHT TIN OVER
50u"/1.27um MIN. NICKEL OVER COPPER FLASH.

.075"/1.91mm CONTACTS -- 30u"/0.75um MIN. SELECT GOLD AND
100u"/2.50um MIN. SELECT TIN
OVER 50u"/1.27um MIN. NICKEL OVERALL.

.100"/2.54mm CONTACTS -- 30u"/0.75um MIN. SELECT GOLD AND
100u"/2.50um MIN. SELECT TIN.
OVER 50u"/1.27um MIN. NICKEL OVERALL.

QUALITY SYMBOLS	THIS DRAWING CONTAINS INFORMATION THAT IS PROPRIETARY TO MOLEX ELECTRONIC TECHNOLOGIES, LLC AND SHOULD NOT BE USED WITHOUT WRITTEN PERMISSION			
▽ = 0	CHANGE SHELL PLATING EC NO: 118825 DRWN: XQZHANG CHKD: XQZHANG REV: APPR: AYIN	2016/08/17 2016/08/16 2017/07/10	GENERAL TOLERANCES (UNLESS SPECIFIED)	DIMENSION UNITS
▽ = 0			MM	
▽ = 0			SCALE	
▼ = 0			1:1	
▽ = 0			ANGULAR TOL ± 1.0 °	
▽ = 0	4 PLACES ±	DRWN BY	DATE	molex®
▽ = 0	3 PLACES ±	XQZHANG	2014/12/11	
▽ = 0	2 PLACES ± 0.25	CHK'D BY	DATE	DVI-I RIGHT ANGLE RECEPTACLE CONNECTOR, W/SHIELDING & W/O SCREW
▽ = 0	1 PLACE ± 0.25	XQZHANG	2014/12/10	
□ = 0	0 PLACES ±	APPR BY	DATE	PRODUCT CUSTOMER DRAWING
■ = 0	DRAFT WHERE APPLICABLE MUST REMAIN WITHIN DIMENSIONS	AYIN	2015/02/09	
▽ = 0	DRAWING SIZE	THIRD ANGLE PROJECTION	SERIES MATERIAL NUMBER CUSTOMER	
	A2	⊕	74320	74320-1033
			DOCUMENT NUMBER	DOC TYPE
			SD-74320-133	PSD
			DOC PART	SHEET NUMBER
			000	2 OF 2