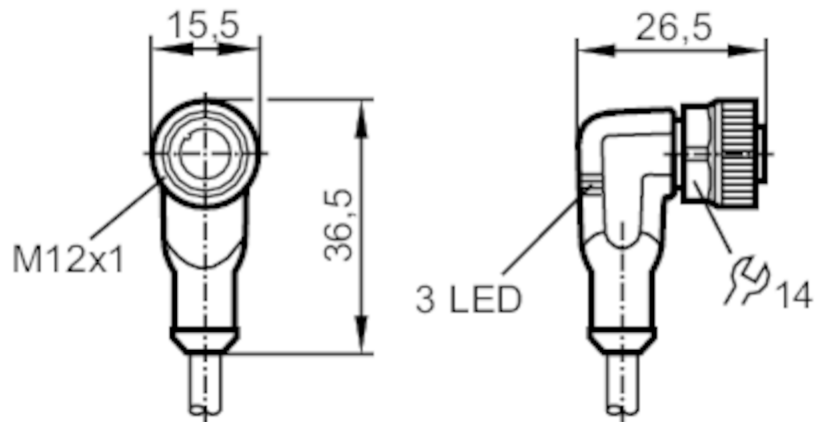




## Connecting cable with socket

ADOAH043MSS0005H04

Please see the technical note under "Downloads"



### Application

Special feature	Free from silicone; Halogen-free; Gold-plated contacts; Drag chain suitability
Free from silicone	yes

### Electrical data

Operating voltage [V]	10...36 DC
Protection class	II
Max. current load total [A]	4

### Outputs

Electrical design	PNP
-------------------	-----

### Operating conditions

Ambient temperature [°C]	-25...90
Note on ambient temperature	cULus: ...75
Ambient temperature (moving) [°C]	-25...90
Note on ambient temperature (moving)	cULus: ...75
Protection	IP 65; IP 67; IP 68; IP 69K

### Tests / approvals

MTTF [years]	20027
--------------	-------

# EVC008



## Connecting cable with socket

ADOAH043MSS0005H04

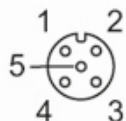
Mechanical data		
Weight [g]	144.7	
Dimensions [mm]	26.5 x 15.5 x 36.5	
Materials	housing: TPU black transparent; Sealing: FKM	
Material nut	brass, nickel-plated	
Drag chain suitability	yes	
Drag chain suitability	bending radius for flexible use	min. 10 x cable diameter
	travel speed	max. 3.3 m/s for a horizontal travel length of 5 m and max. acceleration of 5 m/s <sup>2</sup>
	bending cycles	> 5 Mio.
	torsional strain	± 180 °/m

Displays / operating elements		
Display	switching status	2 x LED, yellow
	operation	1 x LED, green

Remarks	
Notes	Please see the technical note under "Downloads"
Pack quantity	1 pcs.

**Electrical connection**  
Cable: 5 m, PUR, Halogen-free, black, Ø 4.3 mm; 4 x 0.34 mm<sup>2</sup> (42 x Ø 0.1 mm )

**Electrical connection - socket**  
Connector: 1 x M12, angled; coding: A; Locking: brass, nickel-plated; Contacts: gold-plated; Tightening torque: 0.6...1.5 Nm



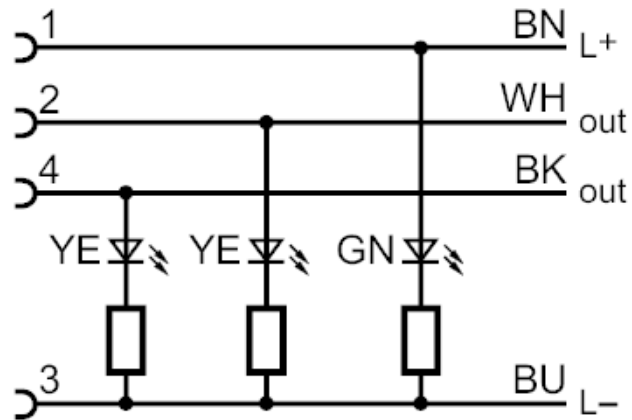
# EVC008



## Connecting cable with socket

ADOAH043MSS0005H04

### Connection



Core colours :

BK = black  
BN = brown  
BU = blue  
WH = white