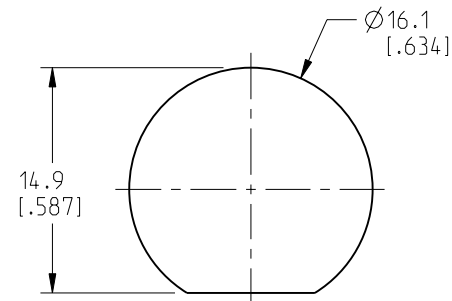


NOTES:

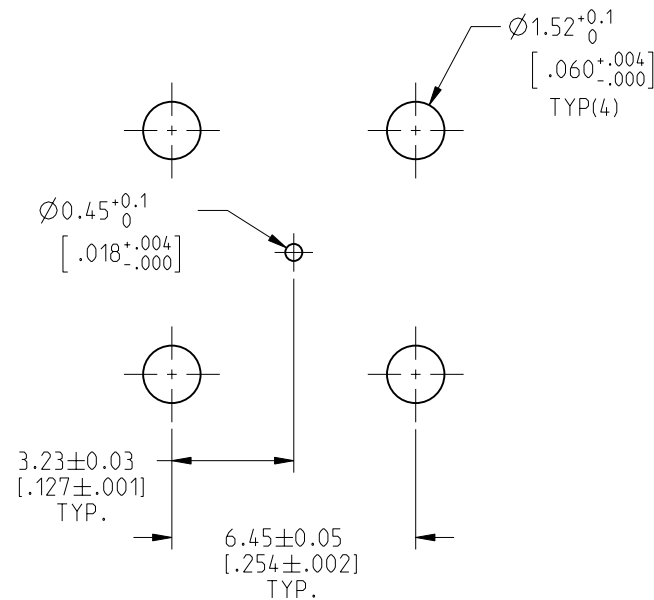
- MATERIALS AND FINISHES:
 BODY, HEX NUT, LOCKWASHER, SLEEVE,
 CAP & RETAINING RING - BRASS, NICKEL PLATING
 CONTACT - BeCu, GOLD PLATING
 CONTACT REAR - BRASS, GOLD PLATING
 INSULATORS - PTFE, NATURAL
 BUSHING - DELRIN, NATURAL
- ELECTRICAL:
 A. IMPEDANCE: 75 OHM
 B. FREQUENCY RANGE: DC - 12 GHz
 C. RETURN LOSS: 20 dB MIN.
 D. DIELECTRIC WITHSTANDING VOLTAGE: 1000 VRMS, MIN.
 E. INSULATION RESISTANCE: 5000 MΩ MIN.

- MECHANICAL:
 A. DURABILITY: 500 CYCLES MIN.
 B. TEMPERATURE RANGE: -65°C TO +165°C
- PACKAGING:
 A. QUANTITY: SINGLE PACK
 B. MARKING: PACKAGING TO BE MARKED
 "AMPHENOL RF, 31-70578-12G, DATE CODE"

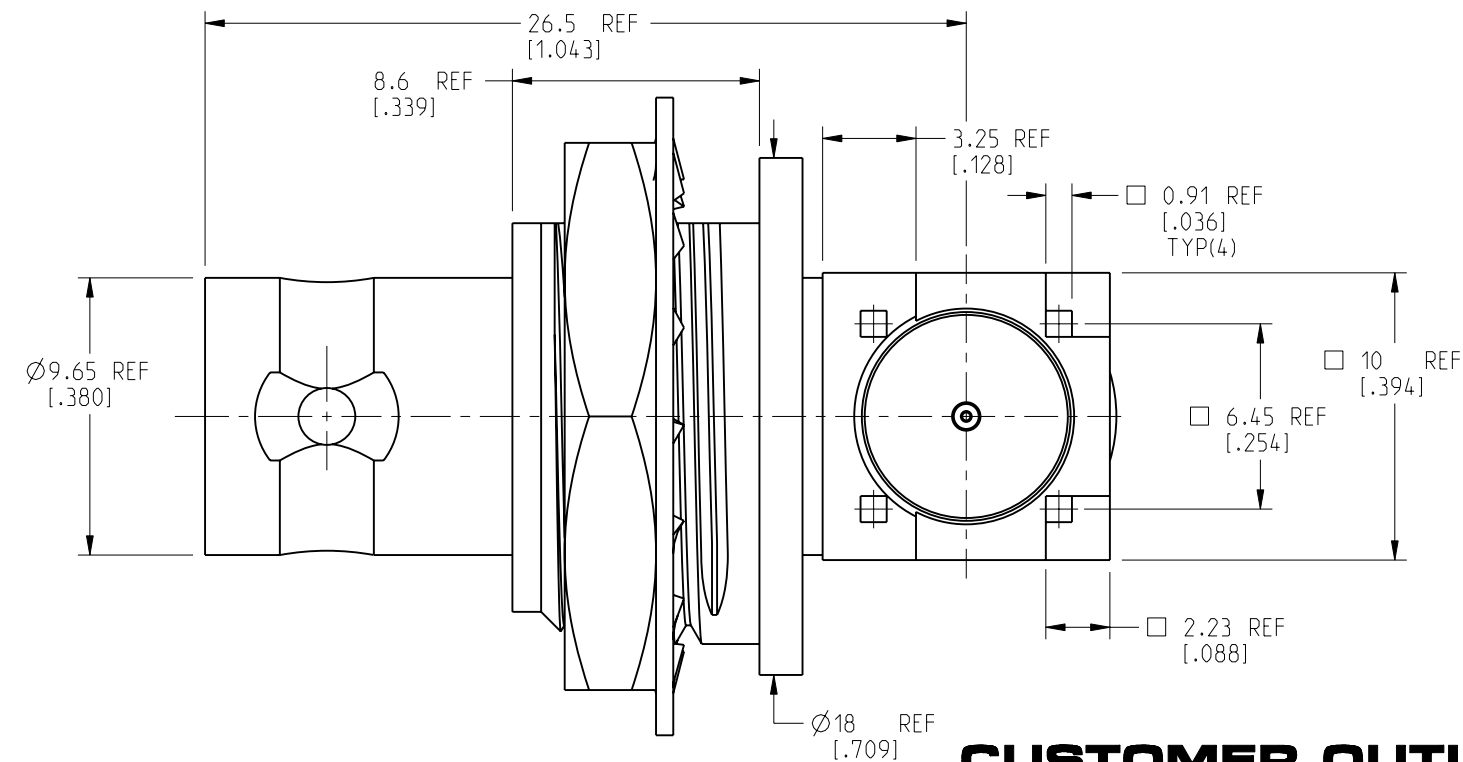
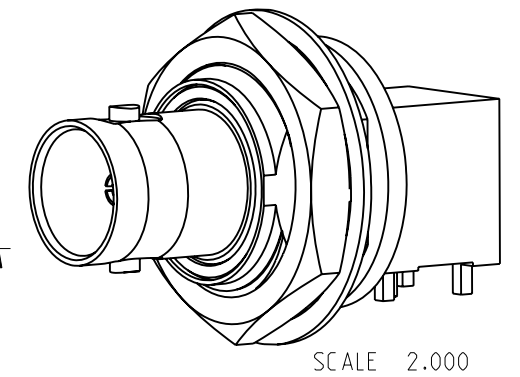
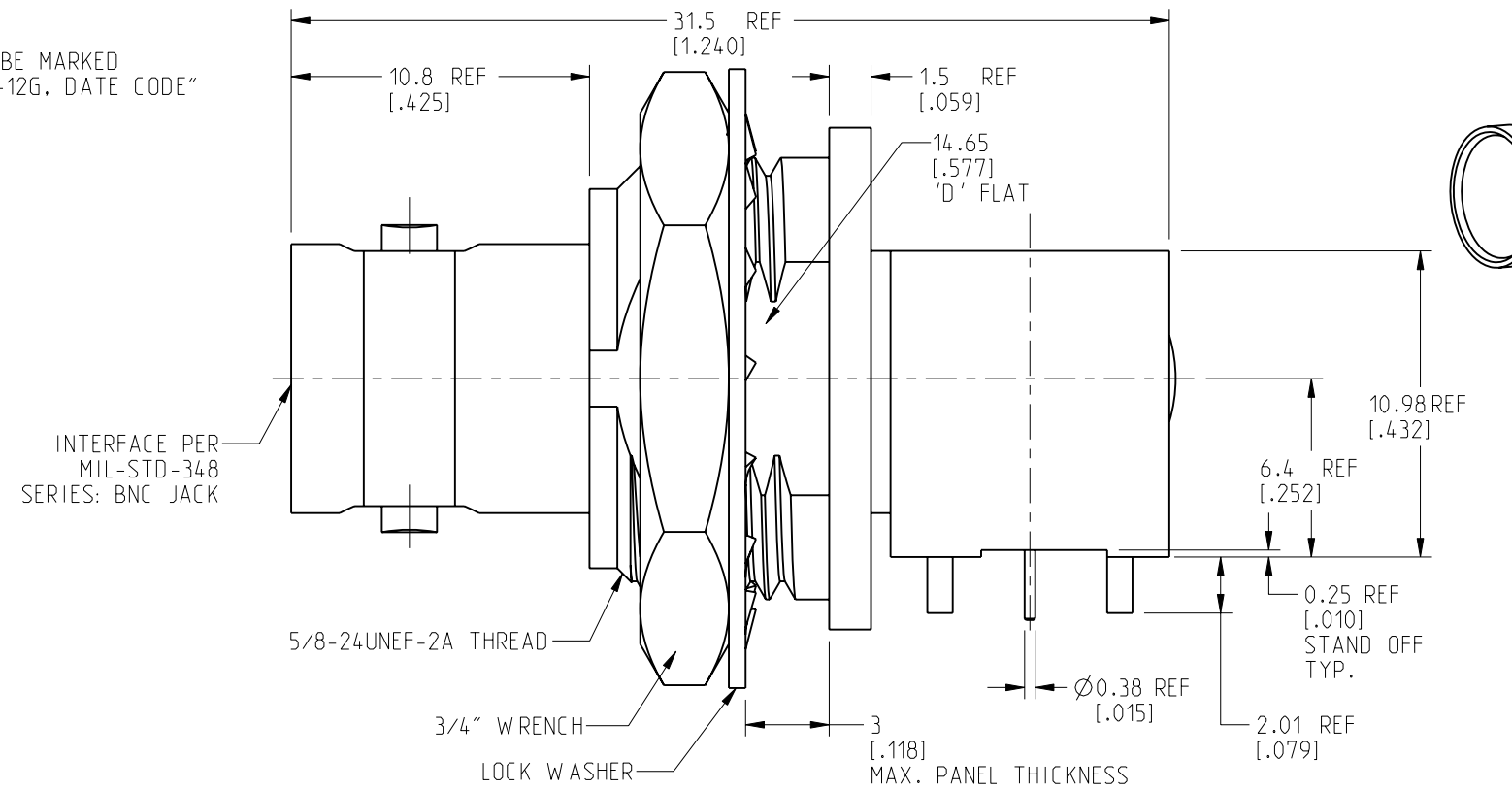
| REVISIONS | | | | |
|-----------|-----------------|-----------|-----|------|
| REV | DESCRIPTION | DATE | ECN | APPR |
| A | RELEASE TO MFG. | 11-Mar-21 | | SH |



RECOMMENDED MOUNTING HOLE DIMENSIONS



RECOMMENDED PCB HOLE DIMENSIONS



CUSTOMER OUTLINE DRAWING

ALL OTHER SHEETS ARE FOR INTERNAL USE ONLY

NOTICE: These drawings, specifications, or other data (1) are, and remain the property of Amphenol corp. (2) must be returned upon request; and (3) are confidential and not to be disclosed to any person other than those to whom they are given by Amphenol Corp. The furnishing of these drawings, specifications, or other data by Amphenol Corp., or to any other person to anyone for any purpose is not to be regarded by implication or otherwise in any manner licensing, granting rights to permitting such holder or any other person to manufacture, use or sell any product, process or design, patented or otherwise, that may in any way be related to or disclosed by said drawings, specifications, or other data.

UNLESS OTHERWISE SPECIFIED DIMENSIONS ARE METRIC (INCHES) AND TOLERANCES ARE:
 <0.5mm = ±0.05mm [$<0.020 = \pm 0.002$]
 >0.5 - 6mm = ±0.1mm [$>0.020 - 0.236 = \pm 0.004$]
 >6.00 - 30mm = ±0.2mm [$>0.236 - 1.181 = \pm 0.008$]
 >30.00 - 120mm = ±0.3mm [$>1.181 - 4.725 = \pm 0.012$]

MATERIAL: SEE NOTES
 ENGINEER: WIKI
 DATE: 26-Feb-21

TITLE: 75 OHM BNC RA BHD ISOLATED JACK THRU HOLE PCB MOUNT
 SHEET NO. 2 OF 2
 SCALE: 3.8:1.0

Amphenol RF
 DRAWING NO. 31-70578-12G
 ITEM NO. 31-70578-12G
 PART NO. 31-70578-12G
 REV: A

THIRD ANGLE PROJ.

REFERENCE: EAR# 9522

ANGLES = ±1°