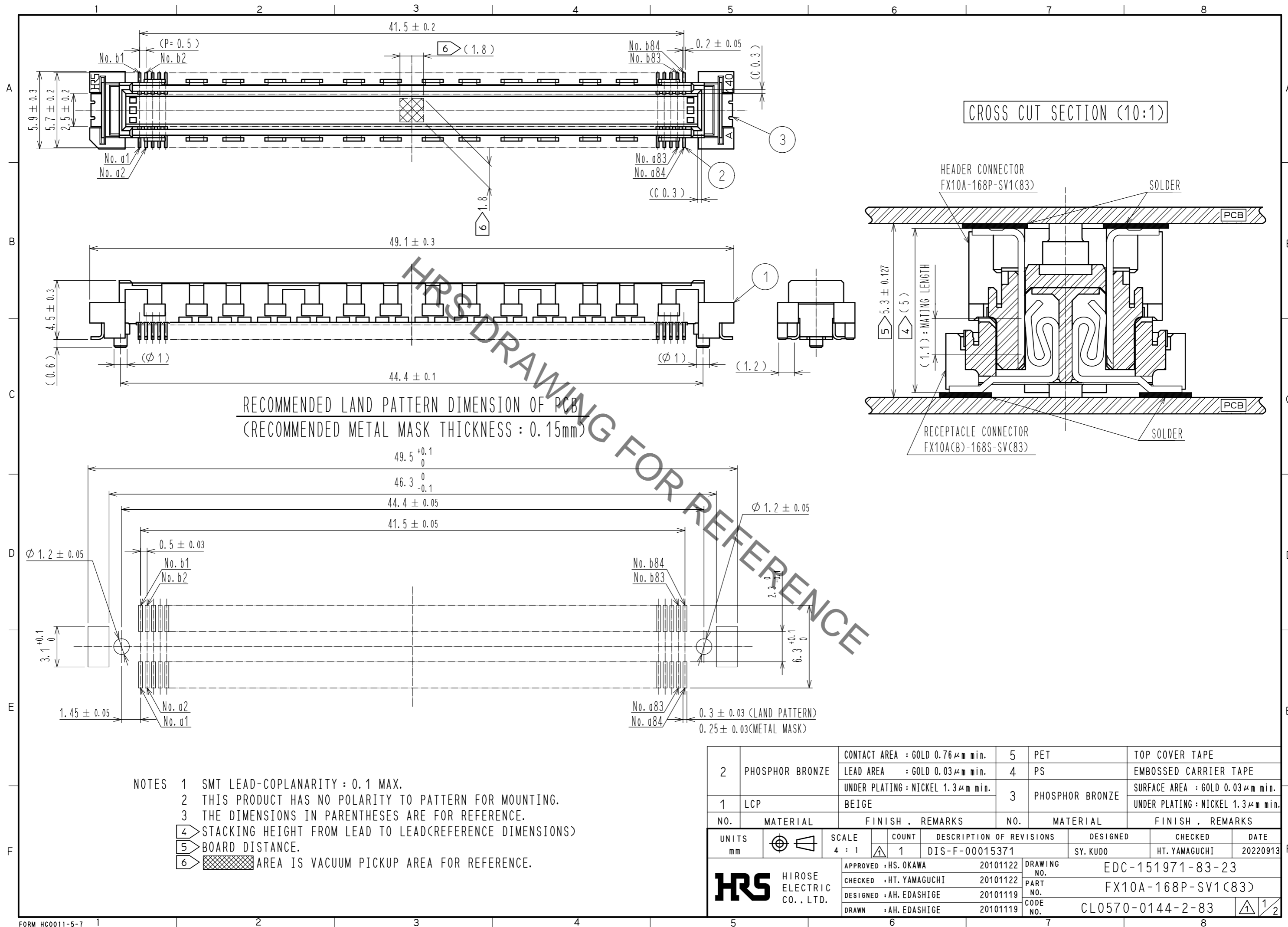


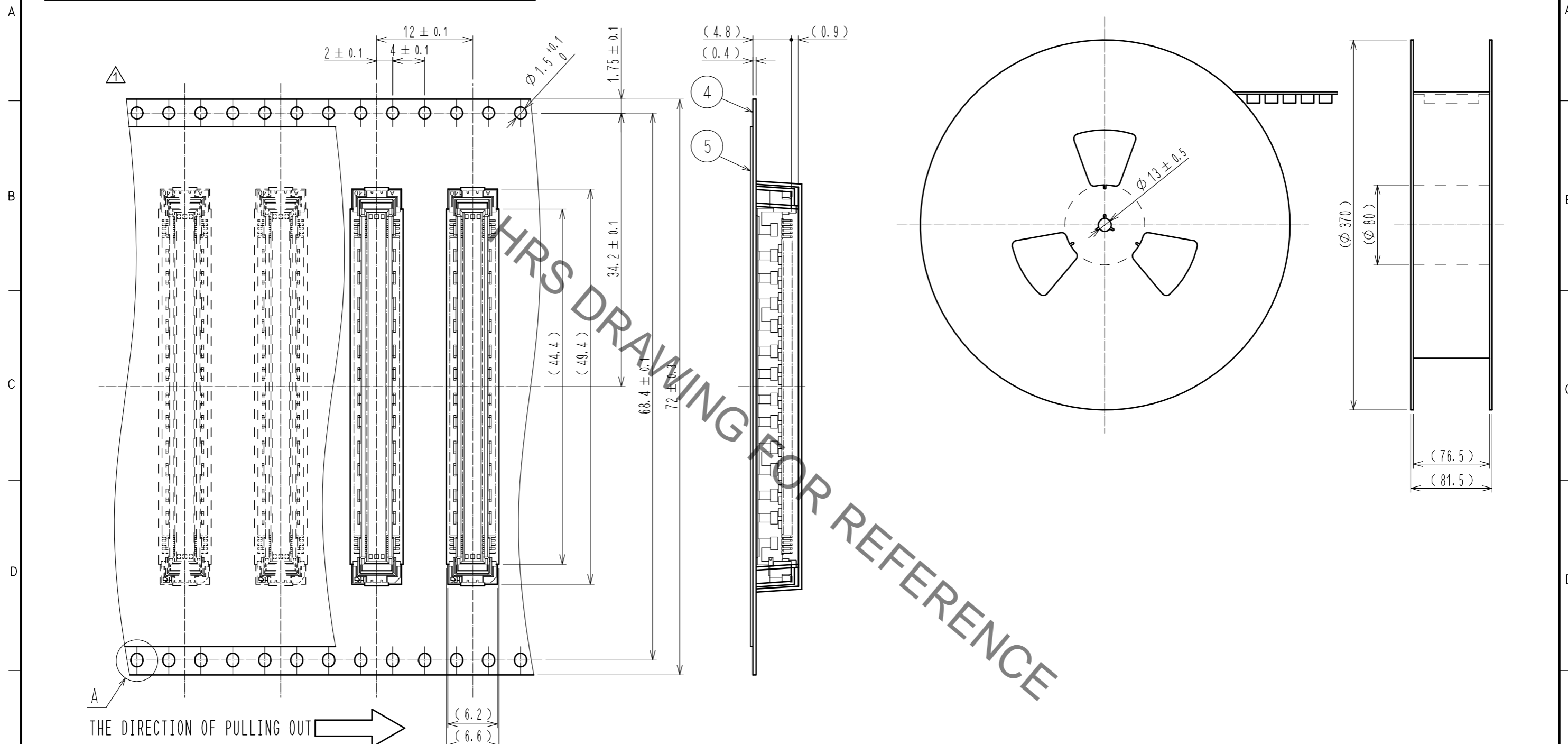
May.1.2023 Copyright 2023 HIROSE ELECTRIC CO., LTD. All Rights Reserved.
In case of consideration for using Automotive equipment / device which demand high reliability, kindly contact our sales window correspondents.



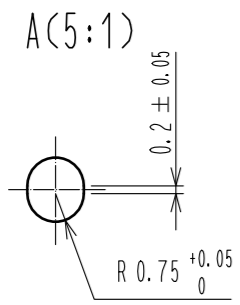
May.1.2023 Copyright 2023 HIROSE ELECTRIC CO., LTD. All Rights Reserved.
 In case of consideration for using Automotive equipment / device which demand high reliability, kindly contact our sales window correspondents.

DRAWING FOR PACKING(2:1)

REELED DIMENSION (FREE)



THE DIRECTION OF PULLING OUT



- NOTES
- 7 1 REEL : 1000 CONNECTORS.
 - 8 MINIMUM 10 COMPARTMENTS FROM BOTH REEL ENDS REMAIN EMPTY.
 - 9 THIS PRODUCT HAS NO POLARITY TO TAPE AND REEL PACKAGING.
 - 10 THE DIMENSIONS IN PARENTHESES ARE FOR REFERENCE.

HRS	DRAWING NO.	EDC-151971-83-23
	PART NO.	FX10A-168P-SV1(83)
	CODE NO.	CL0570-0144-2-83

2/2