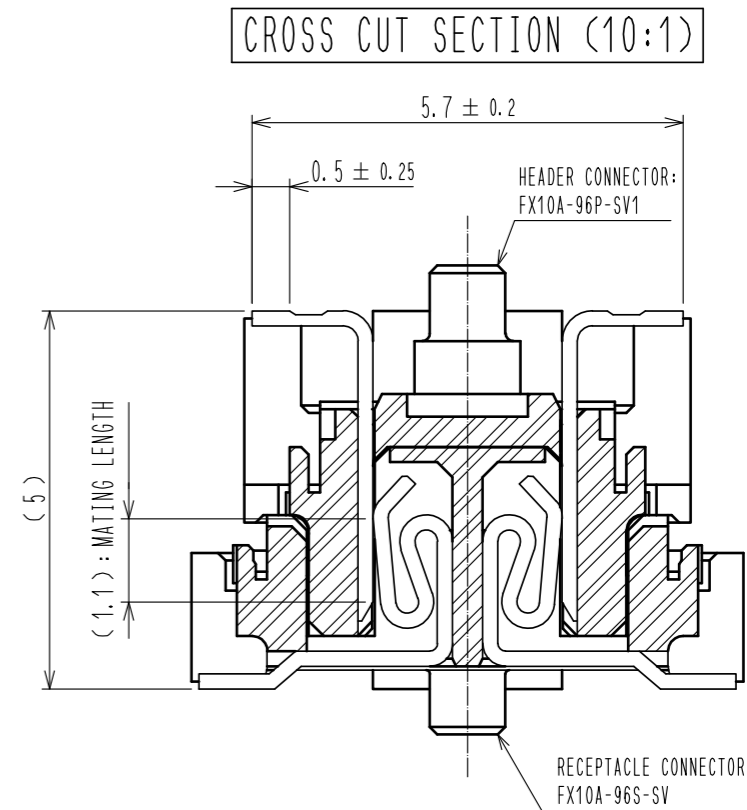
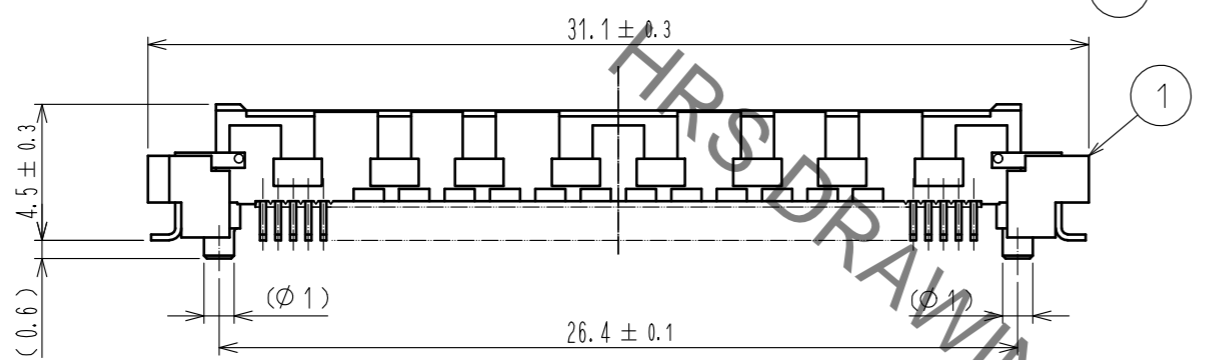
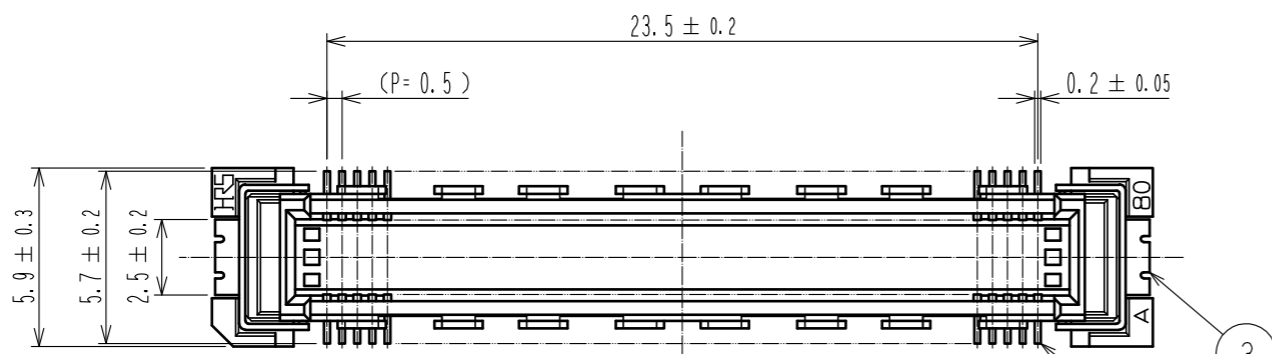
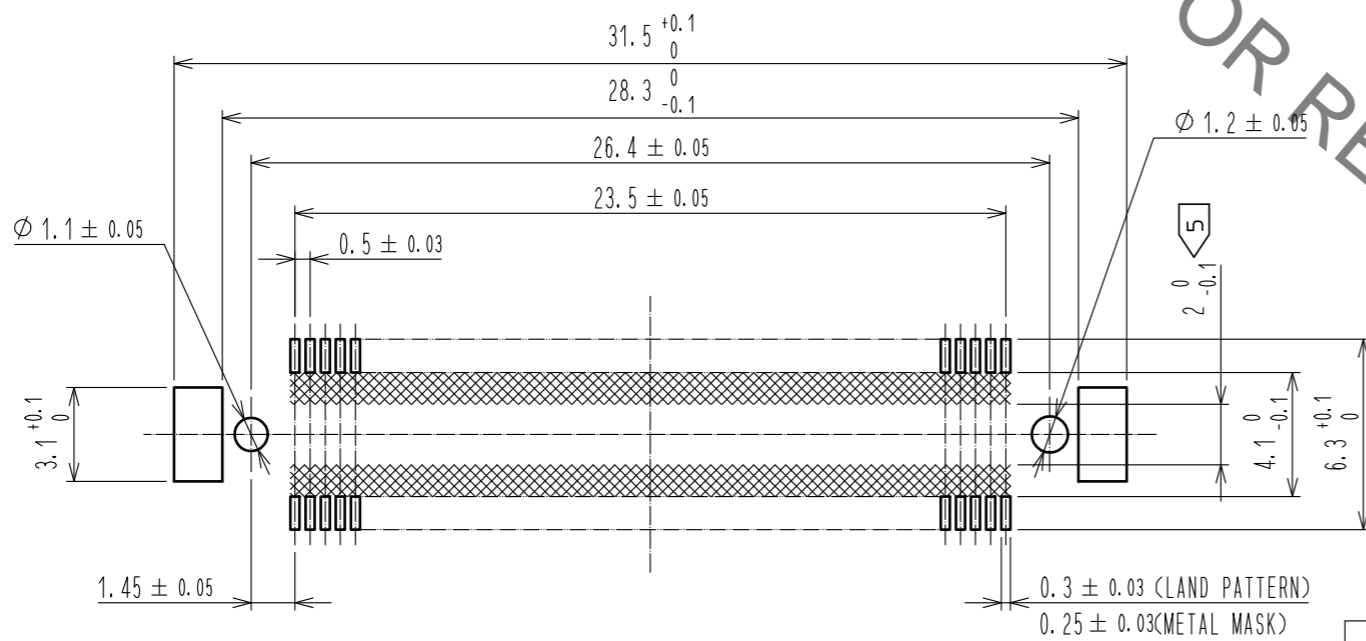


May.1.2023 Copyright 2023 HIROSE ELECTRIC CO., LTD. All Rights Reserved.  
In case of consideration for using Automotive equipment / device which demand high reliability, kindly contact our sales window correspondents.



RECOMMENDED LAND PATTERN DIMENSION OF PCB  
(RECOMMENDED METAL MASK THICKNESS : 0.15mm)



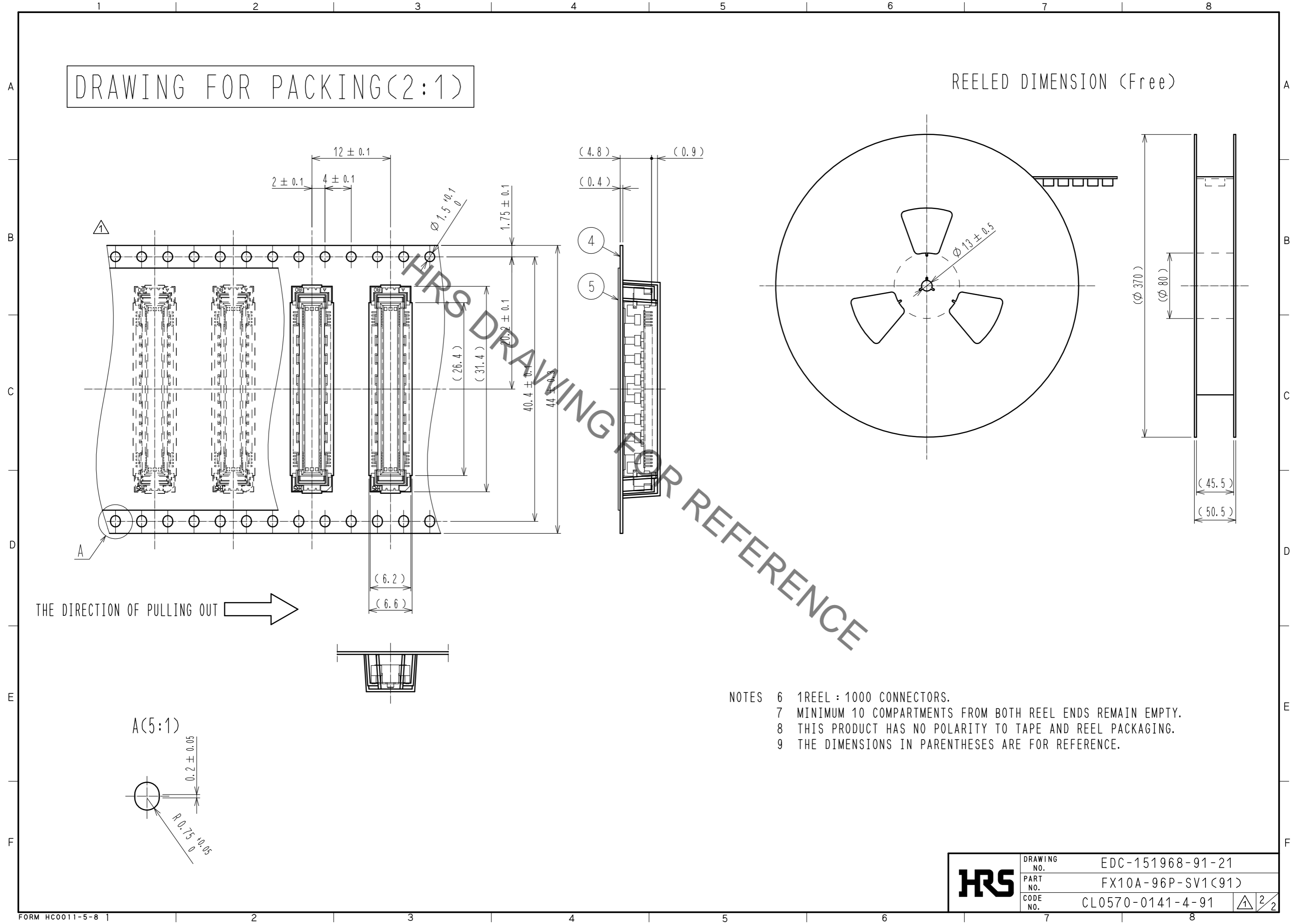
- NOTES
- 1 SMT LEAD-COPLANARITY : 0.1 MAX.
  - 2 THIS PRODUCT HAS NO POLARITY TO PATTERN FOR MOUNTING.
  - 3 MAKE SURE WIDTH OF PATTERN IS WITHIN THAT OF LAND, OR LEAD MAY TOUCH PATTERN. (THIS APPLIES TO HATCHED AREA.)
  - 4 EMBOSS CARRIER TAPE PACKAGE IS APPLIED ON THIS PRODUCT. PLEASE REFER TO THE SHEET 2/2 FOR THE DETAILS.
  - 5 THE DIMENSIONS IN PARENTHESES ARE FOR REFERENCE.

3	PHOSPHOR BRONZE	TIN-PLATING			
		CONTACT AREA : GOLD 0.1µm min.			
2	PHOSPHOR BRONZE	LEAD AREA : TIN-PLATING 1µm min.			
		UNDER PLATING : NICKEL 1µm min	5	POLYESTER	TOP COVER TAPE
1	LCP	BEIGE	4	POLYSTYRENE	EMBOSSED CARRIER TAPE
NO.	MATERIAL	FINISH . REMARKS	NO.	MATERIAL	FINISH . REMARKS
UNITS	mm	SCALE	4 : 1	COUNT	1
DESCRIPTION OF REVISIONS			DESIGNED	CHECKED	DATE
DIS-F-00015371			SY. KUDO	HT. YAMAGUCHI	20220913
APPROVED : HT. YAMAGUCHI 20100729			DRAWING NO. EDC-151968-91-21		
CHECKED : HT. YAMAGUCHI 20100729			PART NO. FX10A-96P-SV1(91)		
DESIGNED : SY. KAMIGA 20100729			CODE NO. CL0570-0141-4-91		
DRAWN : HK. SUNADORI 20100728			1/2		

May.1.2023 Copyright 2023 HIROSE ELECTRIC CO., LTD. All Rights Reserved.  
 In case of consideration for using Automotive equipment / device which demand high reliability, kindly contact our sales window correspondents.

DRAWING FOR PACKING(2:1)

REELED DIMENSION (Free)



- NOTES
- 6 1 REEL : 1000 CONNECTORS.
  - 7 MINIMUM 10 COMPARTMENTS FROM BOTH REEL ENDS REMAIN EMPTY.
  - 8 THIS PRODUCT HAS NO POLARITY TO TAPE AND REEL PACKAGING.
  - 9 THE DIMENSIONS IN PARENTHESES ARE FOR REFERENCE.

<b>HRS</b>	DRAWING NO.	EDC-151968-91-21	
	PART NO.	FX10A-96P-SV1(91)	
	CODE NO.	CL0570-0141-4-91	