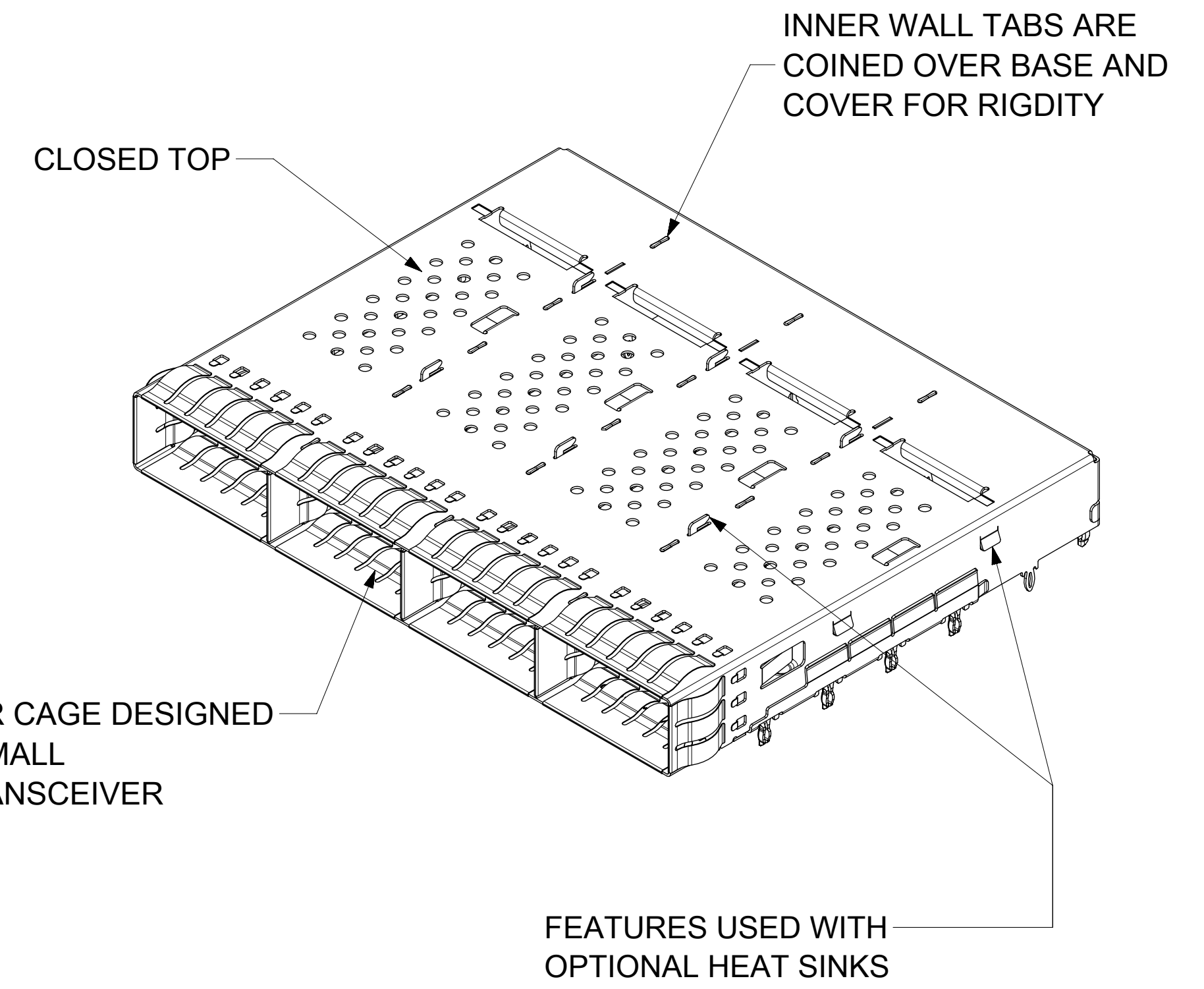
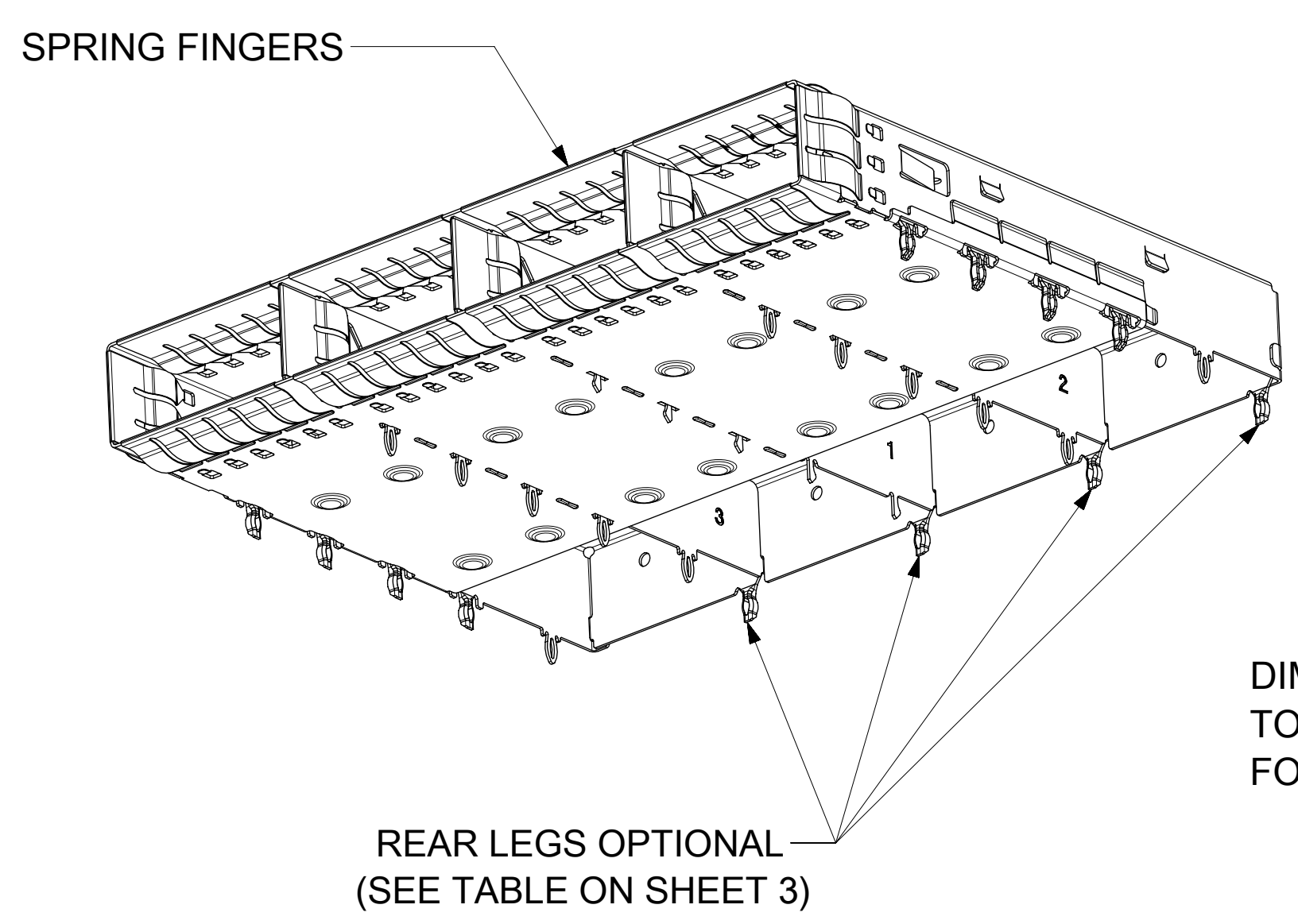
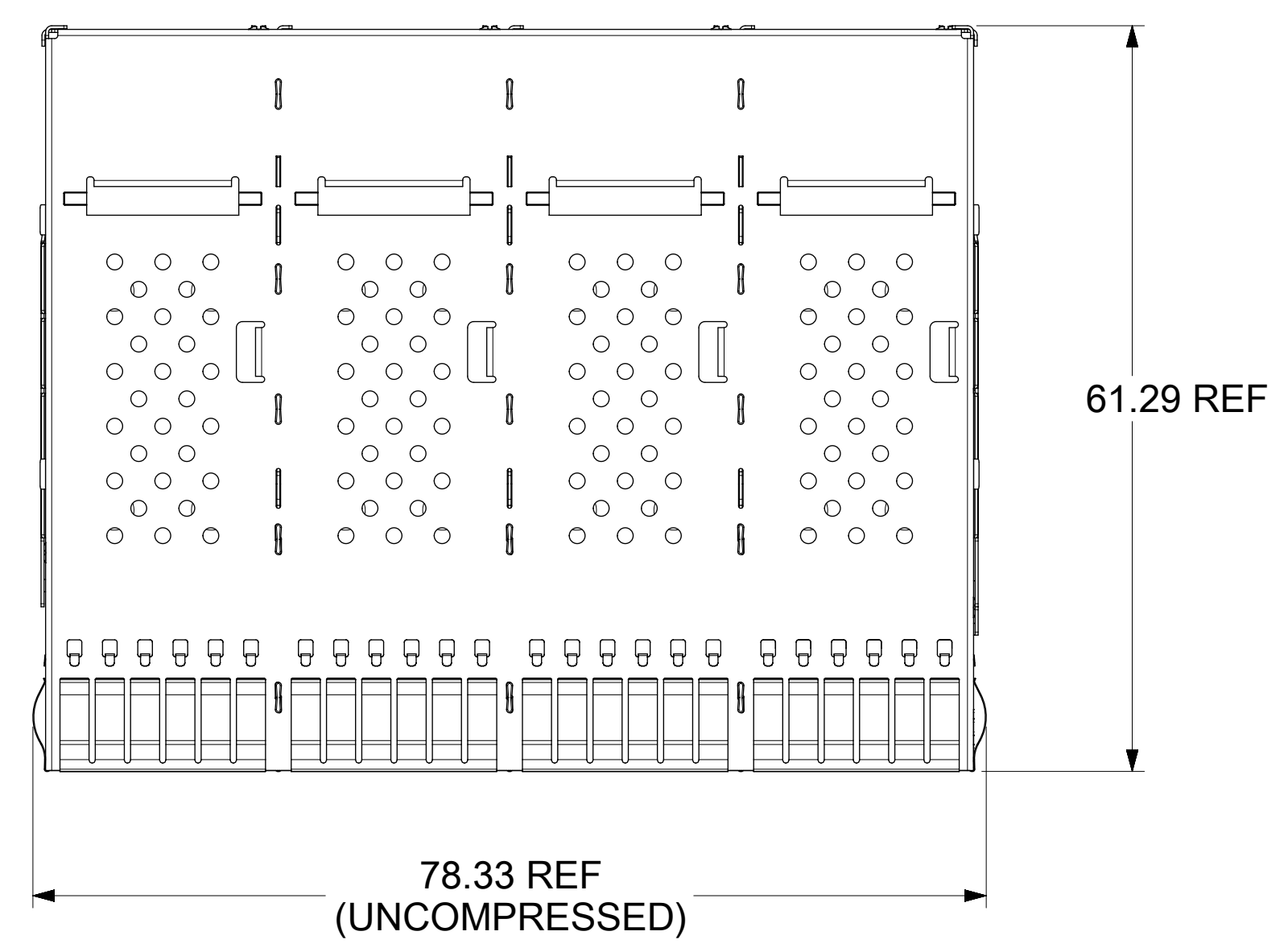
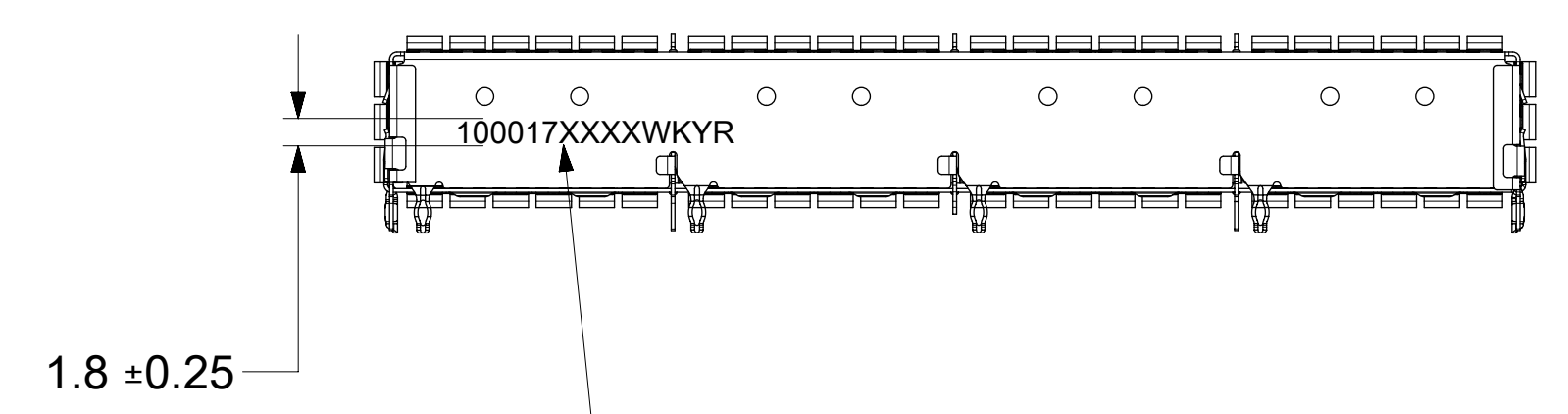
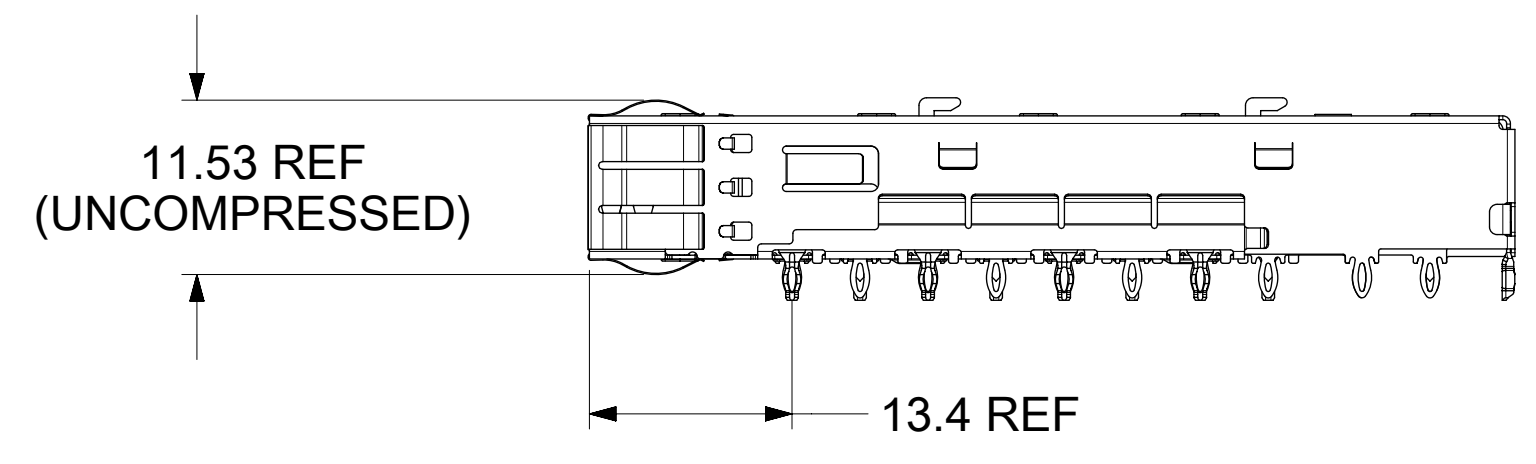
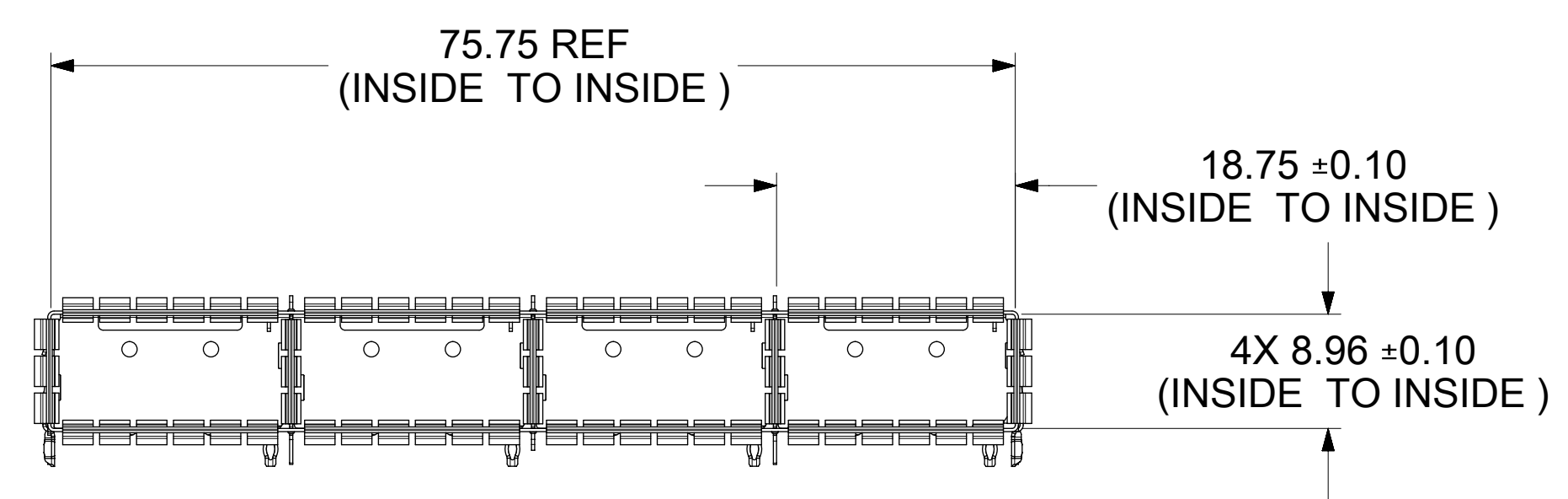


BASE CAGE DETAILS

1000171242
SHOWN



DIMENSIONS OF EACH INNER CAGE DESIGNED TO FUNCTION WITH QUAD SMALL FORM-FACTOR (zQSFP+) TRANSCEIVER



P/N AND WEEK/YEAR DATE CODE TO BE PRINTED ON BACK OF COMPLETED CAGE ASSEMBLY APPROXIMATELY AS SHOWN. SEE TABLE BELOW FOR DATE CODE INFORMATION.

- NOTES:**
- MATERIAL: CAGE: STAINLESS STEEL
CENTER WALLS: STAINLESS STEEL
SPRING FINGERS: BERYLLIUM COPPER; NICKEL PLATED
HEAT SINKS: NICKEL PLATED ALUMINUM
HEAT SINK CLIP: STAINLESS STEEL
LIGHT PIPES: POLYCARBONATE (UL 94-V-0)
 - DIMENSIONS MARKED ∇ ARE CRITICAL TO FUNCTION OF THE PART AND MUST BE INSPECTED
 - DRAWING APPLIES TO ALL P/N'S SHOWN ON PAGE 3
 - DURING FINAL INSPECTION, CAGE LEG LOCATIONS AND STRAIGHTNESS MUST BE CHECKED USING APPROPRIATE GO - NO GO GAGE
 - DURING FINAL INSPECTION, CAGE MUST BE INSPECTED TO MAKE SURE LEG CONFIGURATIONS AND PART NUMBERS ARE CORRECT, USE SHEETS 3, 4 AND 5
 - PARTS TO BE INSPECTED PER MOLEX COSMETIC SPEC WI-HP-7-2774 (CLASS B UNLESS OTHERWISE SPECIFIED)
 - PRESS-FIT LEGS 2.44 LONG -
1.57 MINIMUM PCB THICKNESS FOR SINGLE SIDED USE.
3.00 MINIMUM PCB THICKNESS FOR BELLY TO BELLY USE.
 - NO RoHS EXEMPTIONS

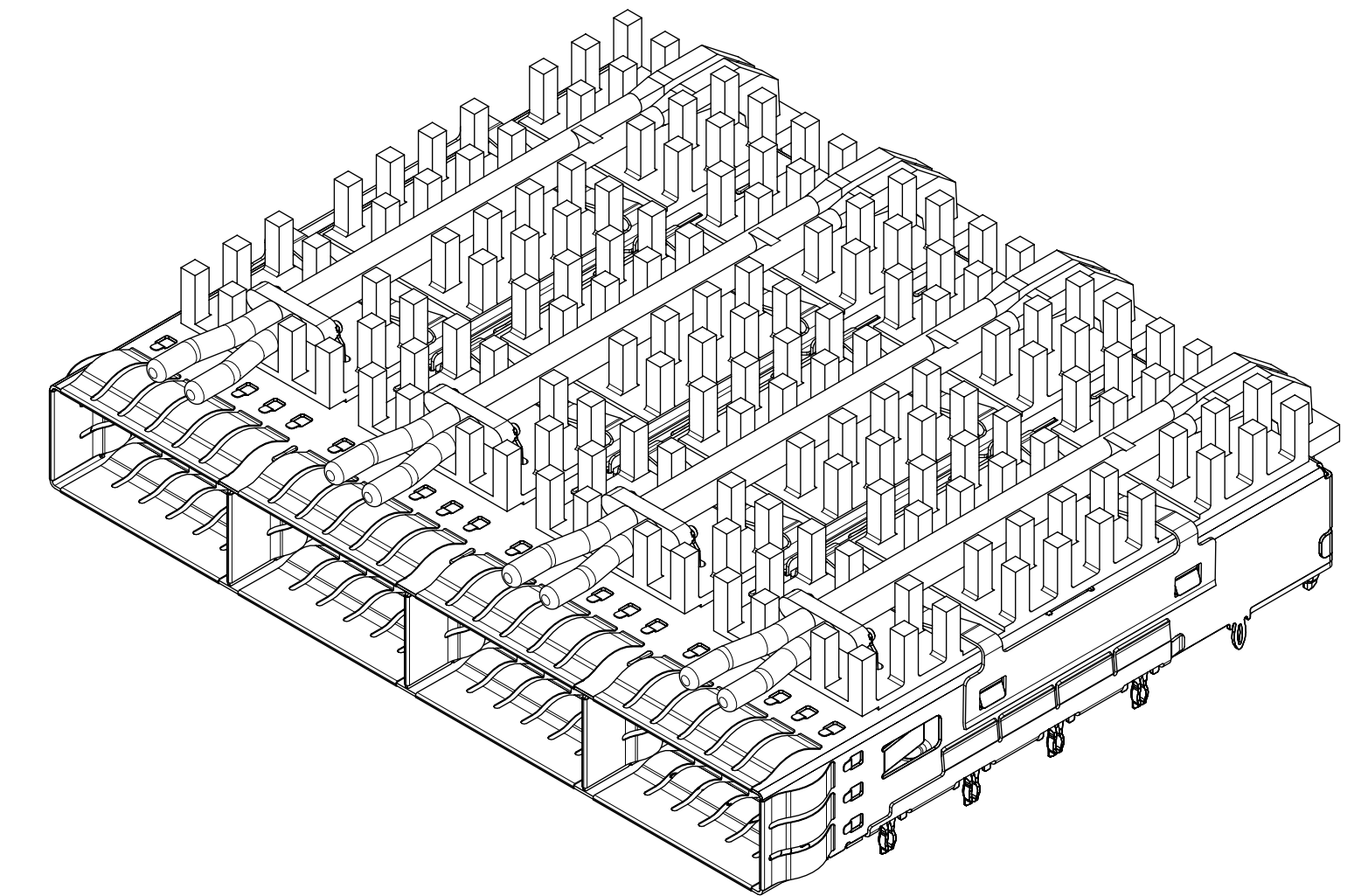
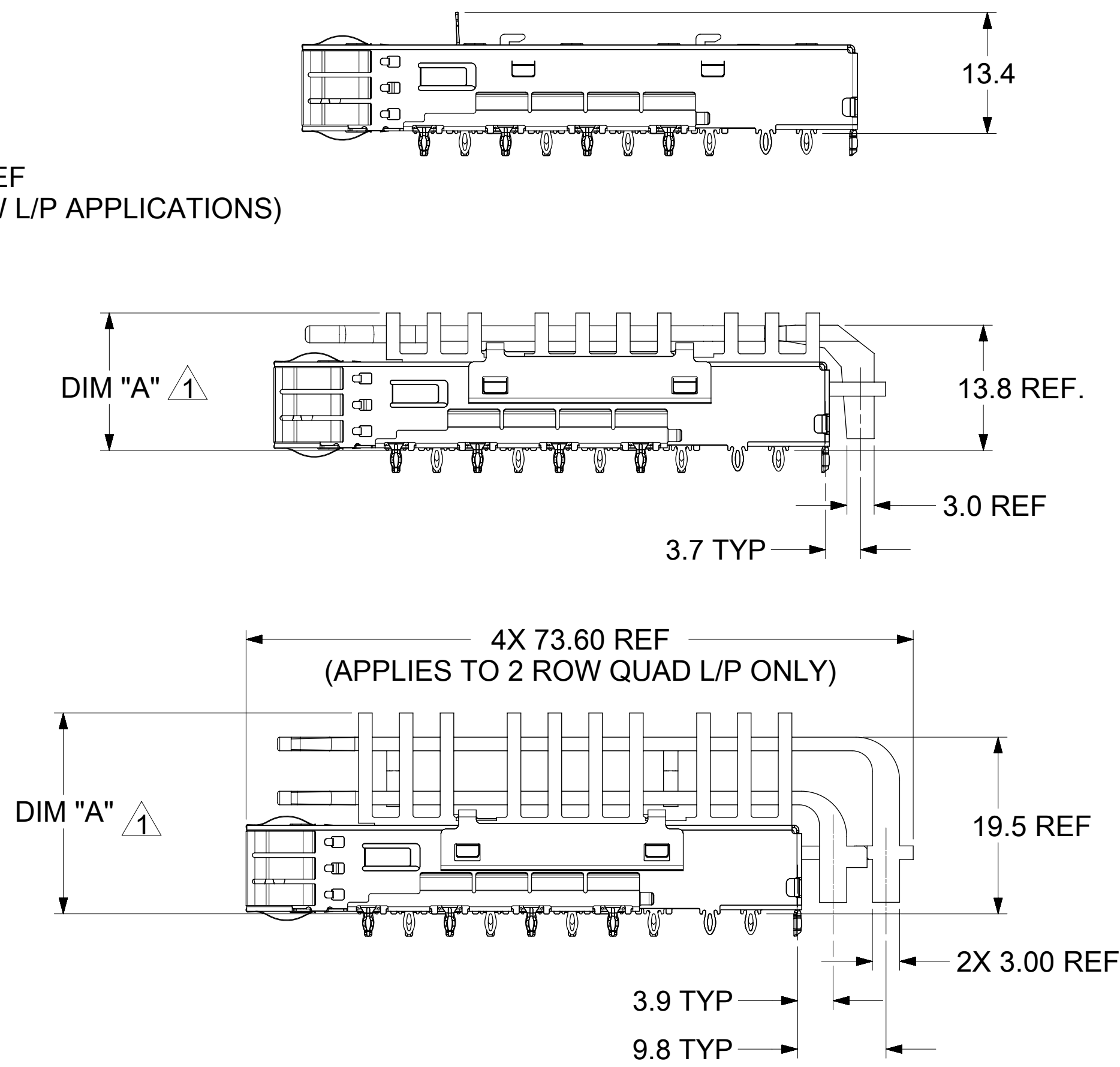
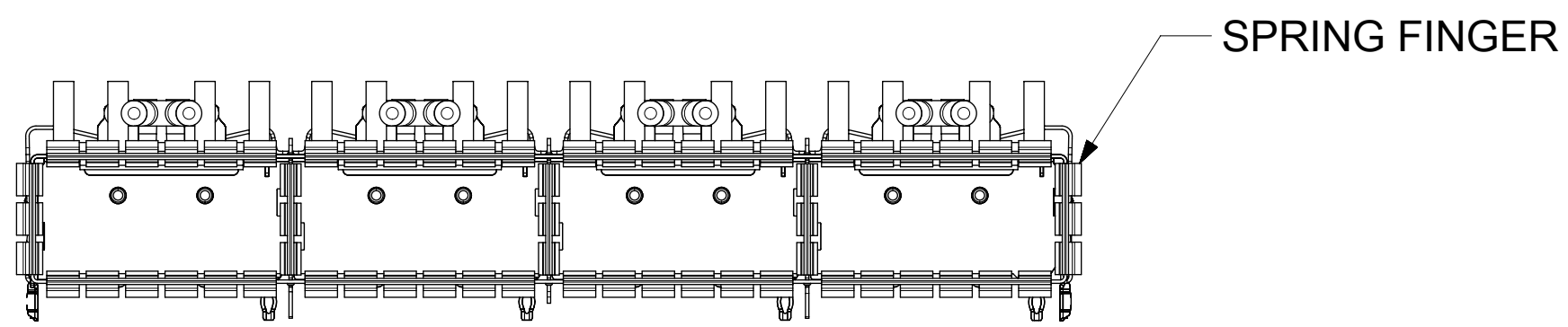
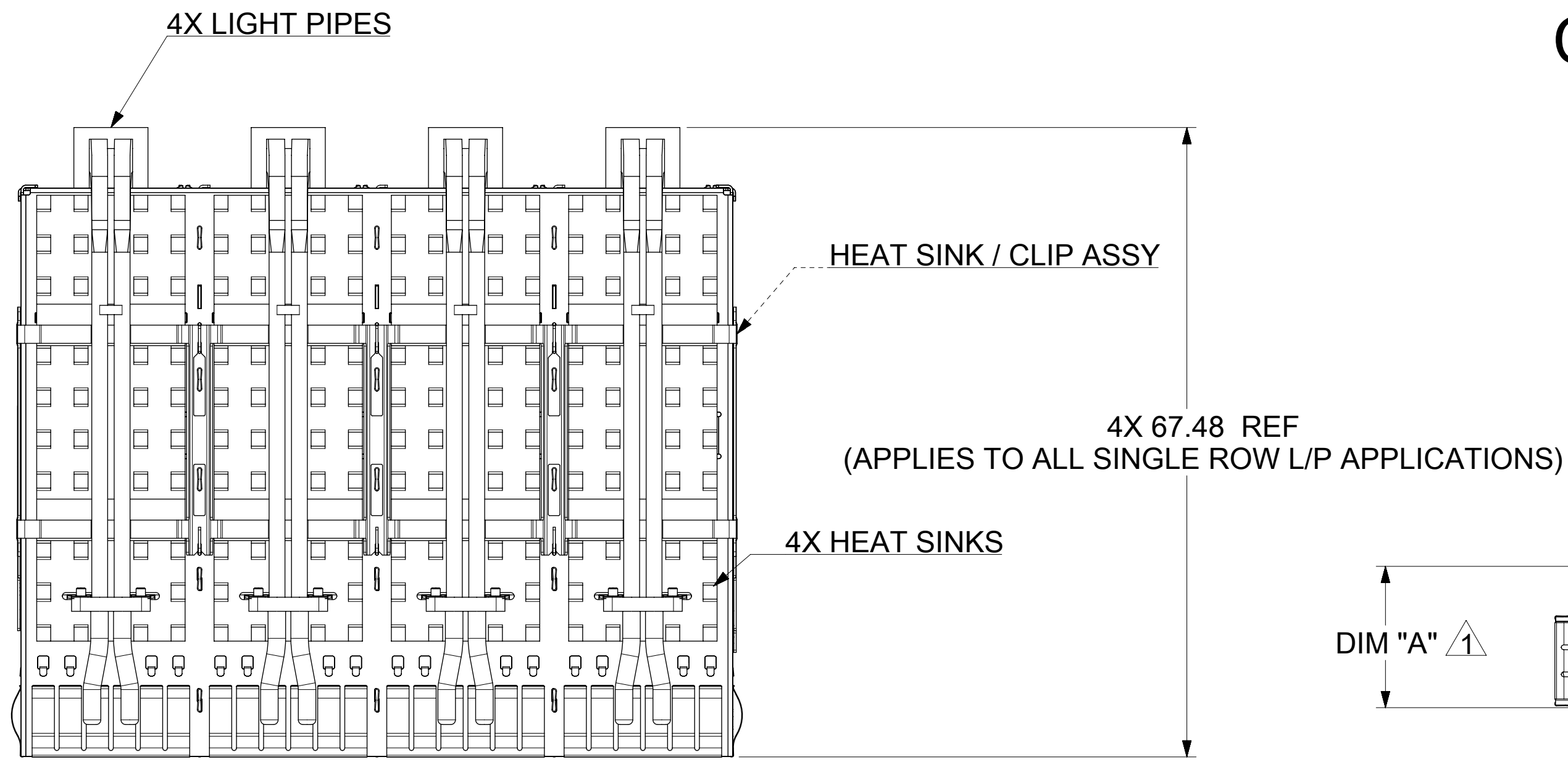
| WEEK/YEAR DATE CODE TABLE | |
|---------------------------|---|
| WK | WEEK OF THE YEAR 01 THRU 52 (EXAMPLE: 01= FIRST WEEK OF YEAR 52= LAST WEEK OF YEAR) |
| YR | 18, 19, 20 ETC.. (EXAMPLE: YEAR 2018= 18) |

| | | | | | |
|---|-------|---|--|--|--|
| THIS DRAWING CONTAINS INFORMATION THAT IS PROPRIETARY TO MOLEX ELECTRONIC TECHNOLOGIES, LLC AND SHOULD NOT BE USED WITHOUT WRITTEN PERMISSION | | CURRENT REV DESC: OBSOLETE PART NUMBERS AS PER PCN#506884 | | molex | |
| DIMENSION UNITS | SCALE | EC NO: 662763 | | | |
| mm | 2:1 | DRWN: SKANDB 2021/01/19 | | ZQSFP+ 1X4 GANGED CAGE ASSY'S (SPRING FINGER) WITH H/S & L/P OPTIONS | |
| GENERAL TOLERANCES (UNLESS SPECIFIED) | | CHK'D: GGA 2021/06/01 | | PRODUCT CUSTOMER DRAWING | |
| ANGULAR TOL ± 1.0° | | APPR: GGA 2021/06/01 | | DOCUMENT NUMBER | |
| 4 PLACES ± | | INITIAL REVISION: | | DOC TYPE | |
| 3 PLACES ± | | DRWN: KNAGANNA 2015/06/03 | | DOC PART | |
| 2 PLACES ± 0.13 | | APPR: RCHEN08 2016/01/11 | | REVISION | |
| 1 PLACE ± 0.25 | | DRAFT WHERE APPLICABLE MUST REMAIN WITHIN DIMENSIONS | | 1000171200 | |
| 0 PLACES ± | | THIRD ANGLE PROJECTION | | PSD | |
| | | DRAWING | | SD | |
| | | SERIES | | L1 | |
| | | D-SIZE 100017 | | 1 OF 9 | |
| | | MATERIAL NUMBER | | GENERAL MARKET | |
| | | CUSTOMER | | | |

CAGE ASSEMBLY OPTIONS

1000171544

SHOWN



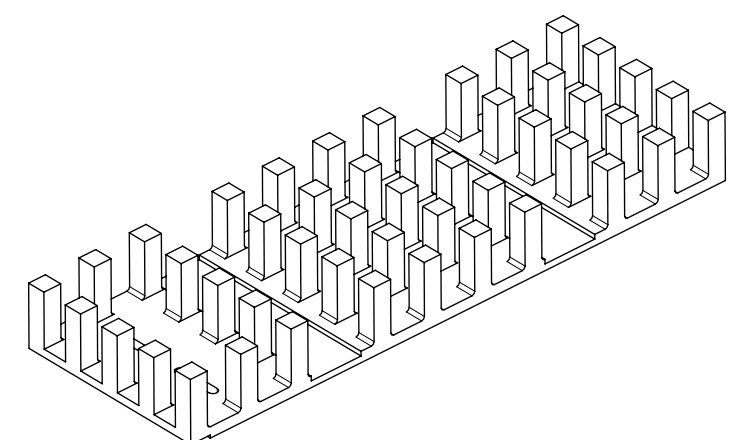
HEATSINK HEIGHT OPTIONS

| OVERALL HEAT SINK HEIGHT | DIM "A" |
|--------------------------|----------|
| PCI | 13.7 REF |
| SAN | 16.0 REF |
| NET | 23.0 REF |

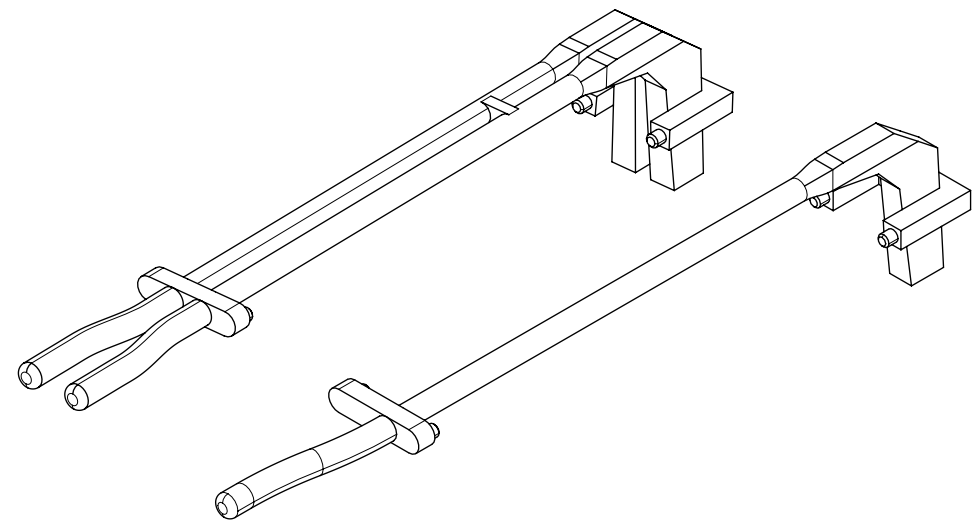
\triangle 1 HEIGHT OF HEAT SINK WITH MODULE INSERTED.
DIMENSION MAY BE LESS DUE TO MODULE AND HEAT SINK VARIATIONS

HEATSINK AND LIGHT PIPE COMBINATIONS

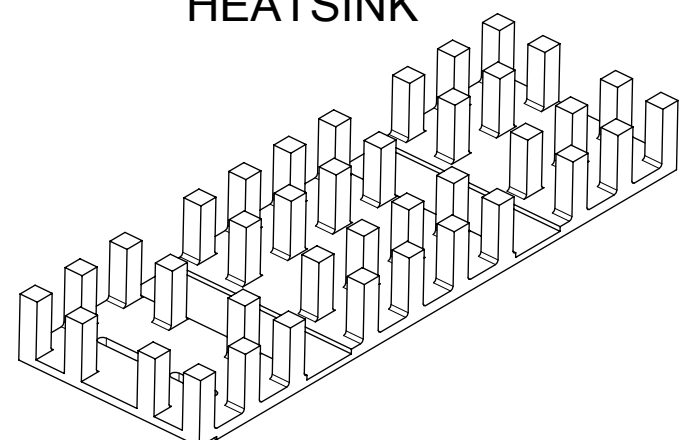
HEATSINK
USED
WITHOUT
LIGHTPIPE



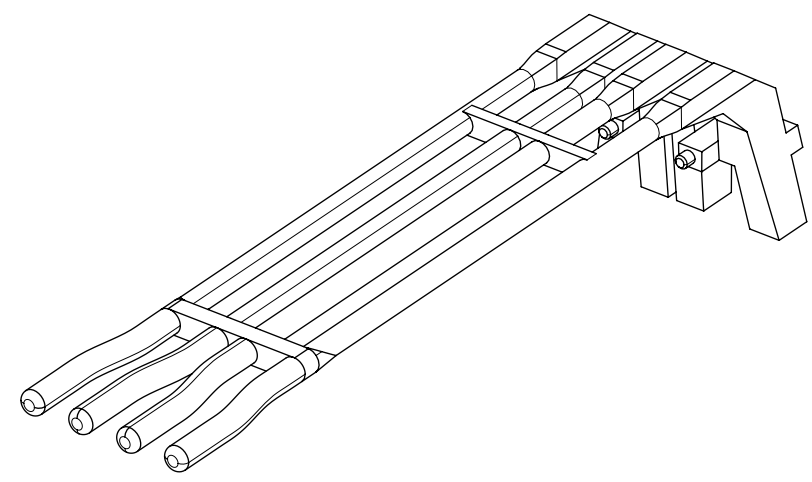
SINGLE / DUAL LIGHT PIPE



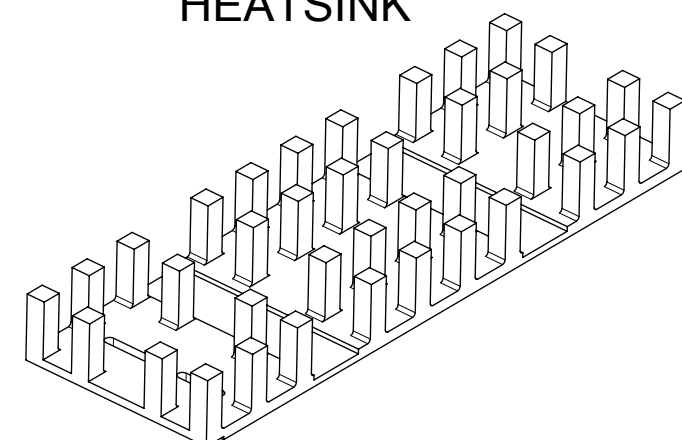
HEATSINK



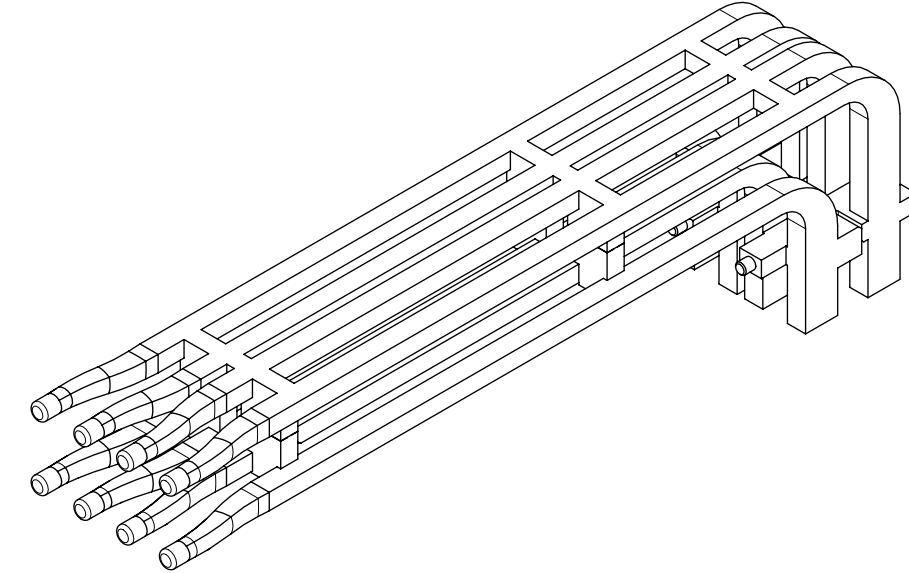
QUAD LIGHT PIPE



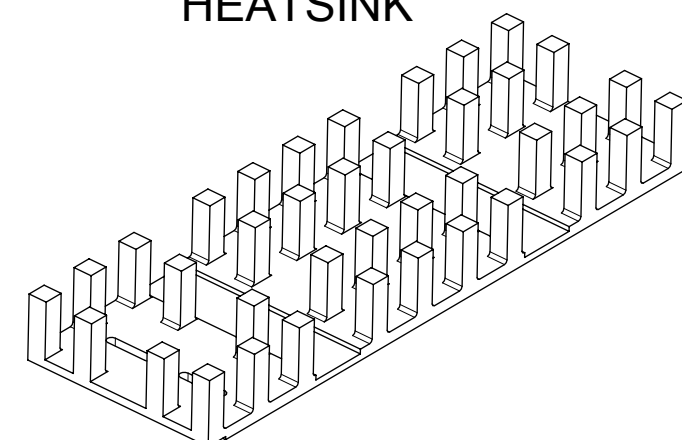
HEATSINK



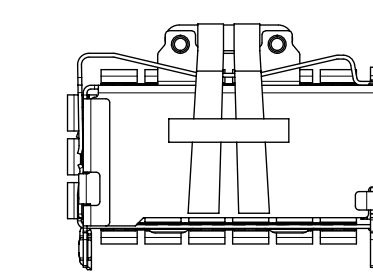
2 ROW QUAD LIGHT PIPE



HEATSINK

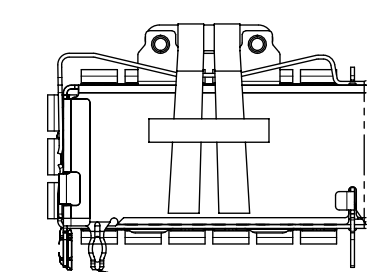


REAR LEG OPTIONS



0 REAR LEGS

Partial1
Scale 2.5:1



1 REAR LEGS

Partial2
Scale 2.5:1

THIS DRAWING CONTAINS INFORMATION THAT IS PROPRIETARY TO MOLEX ELECTRONIC TECHNOLOGIES, LLC AND SHOULD NOT BE USED WITHOUT WRITTEN PERMISSION

| DIMENSION UNITS | SCALE | CURRENT REV DESC: | OBSOLETE PART NUMBERS AS PER PCN#506884 | | |
|---------------------------------------|------------|--|---|-----------------|----------------|
| mm | 2:1 | EC NO: 662763 | | | |
| GENERAL TOLERANCES (UNLESS SPECIFIED) | | DRWN: SKANDB | 2021/01/19 | | |
| ANGULAR TOL \pm 1.0° | | CHK'D: GGA | 2021/06/01 | | |
| 4 PLACES | \pm | APPR: GGA | 2021/06/01 | | |
| 3 PLACES | \pm | INITIAL REVISION: | | | |
| 2 PLACES | \pm 0.13 | DRWN: KNAGANNA | 2015/06/03 | | |
| 1 PLACE | \pm 0.25 | APPR: RCHEN08 | 2016/01/11 | | |
| 0 PLACES | \pm | DRAFT WHERE APPLICABLE MUST REMAIN WITHIN DIMENSIONS | | | |
| THIRD ANGLE PROJECTION | | DRAWING | SERIES | MATERIAL NUMBER | CUSTOMER |
| | | D-SIZE | 100017 | SEE TABLE | GENERAL MARKET |
| | | DOCUMENT NUMBER | | DOC TYPE | DOC PART |
| | | 1000171200 | | PSD | SD |
| | | | | | L1 |
| | | SHEET NUMBER | | 2 OF 9 | |

molex

ZQSFP+ 1X4 GANGED CAGE
ASSY'S (SPRING FINGER) WITH H/S & L/P OPTIONS

PRODUCT CUSTOMER DRAWING

DOCUMENT NUMBER

1000171200

DOC TYPE

PSD

DOC PART

SD

REVISION

L1

MATERIAL NUMBER

SEE TABLE

CUSTOMER

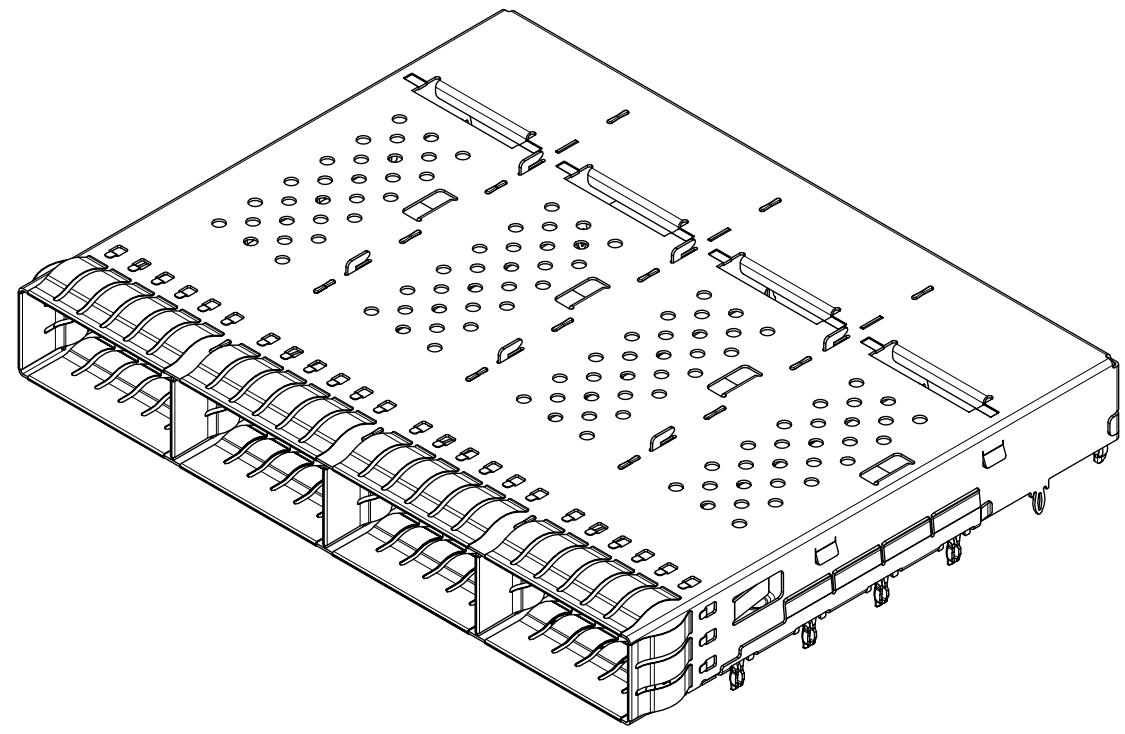
GENERAL MARKET

SHEET NUMBER

2 OF 9

PART NUMBER SELECTION

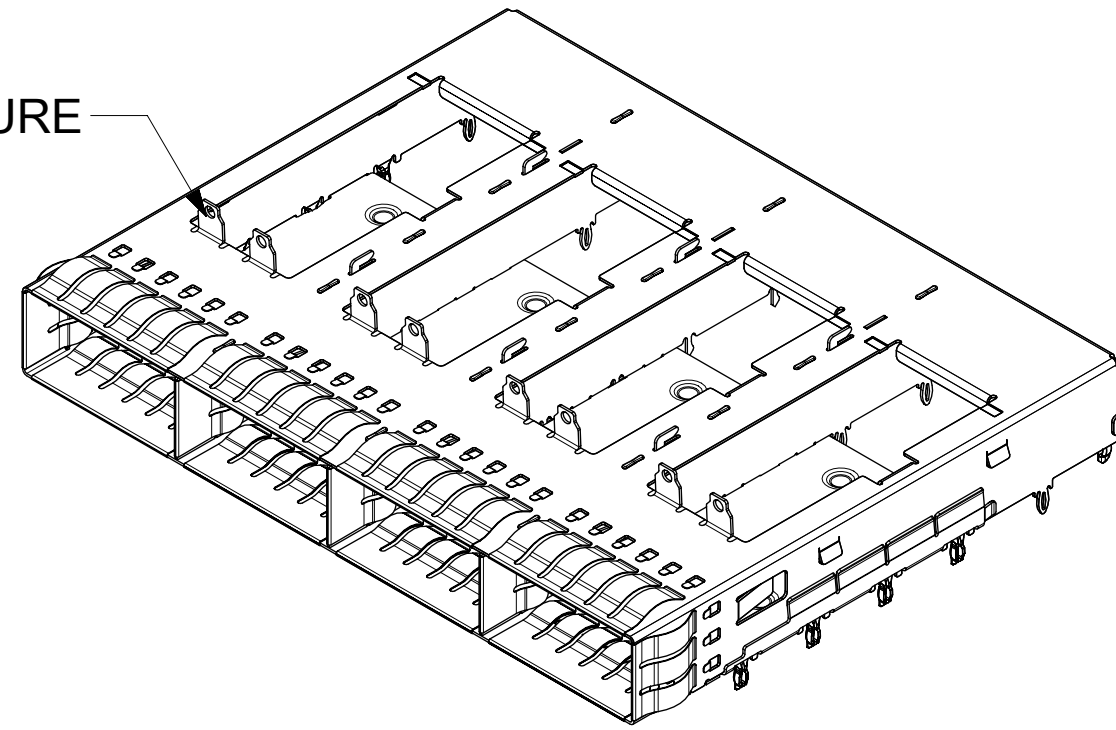
NO HEATSINKS
NO LIGHT PIPES
CLOSED TOP



| MOLEX P/N W/ SPRING FINGERS | #OF REAR LEGS PER PORT |
|--------------------------------|---------------------------|
| 1000171242 | 1 |

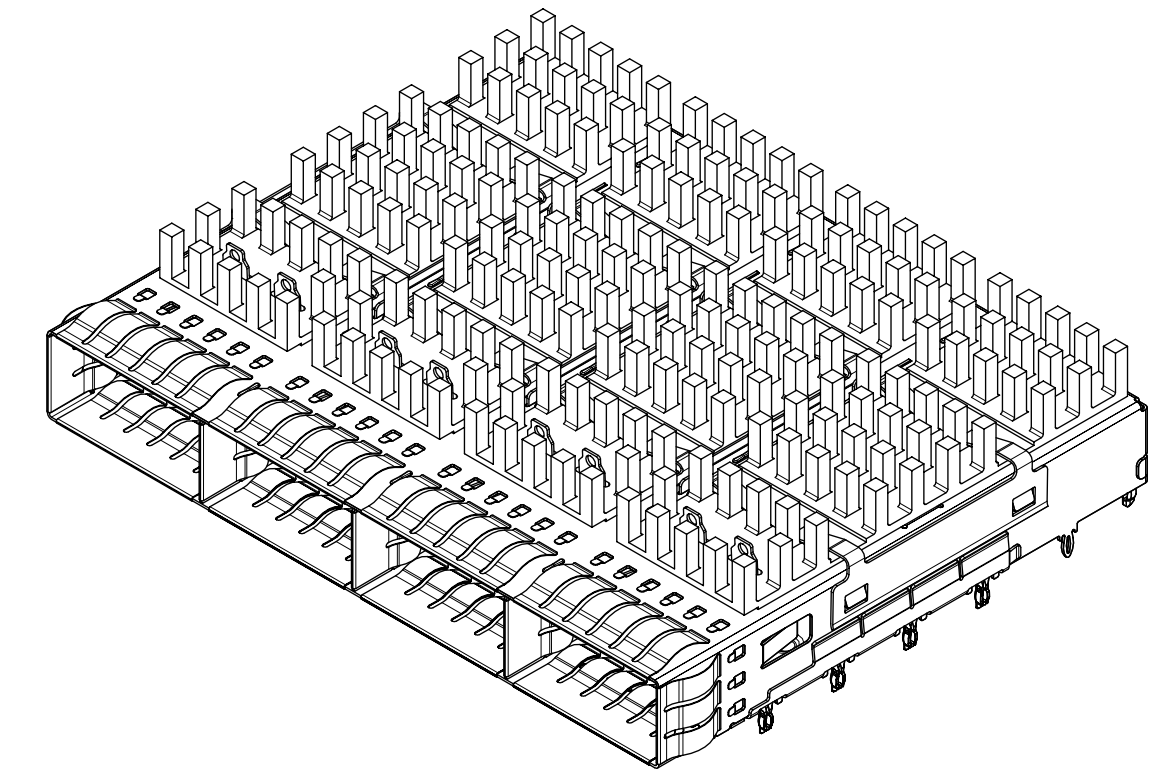
NO HEATSINKS
NO LIGHT PIPES
OPEN TOP

LIGHT PIPE FEATURE



| MOLEX P/N W/ SPRING FINGERS | #OF REAR LEGS PER PORT | LIGHT PIPE FEATURE |
|--------------------------------|---------------------------|-----------------------|
| 1000171252 | 1 | YES |
| 1000171255 | 1 | NO |

WITH HEATSINKS
NO LIGHT PIPES

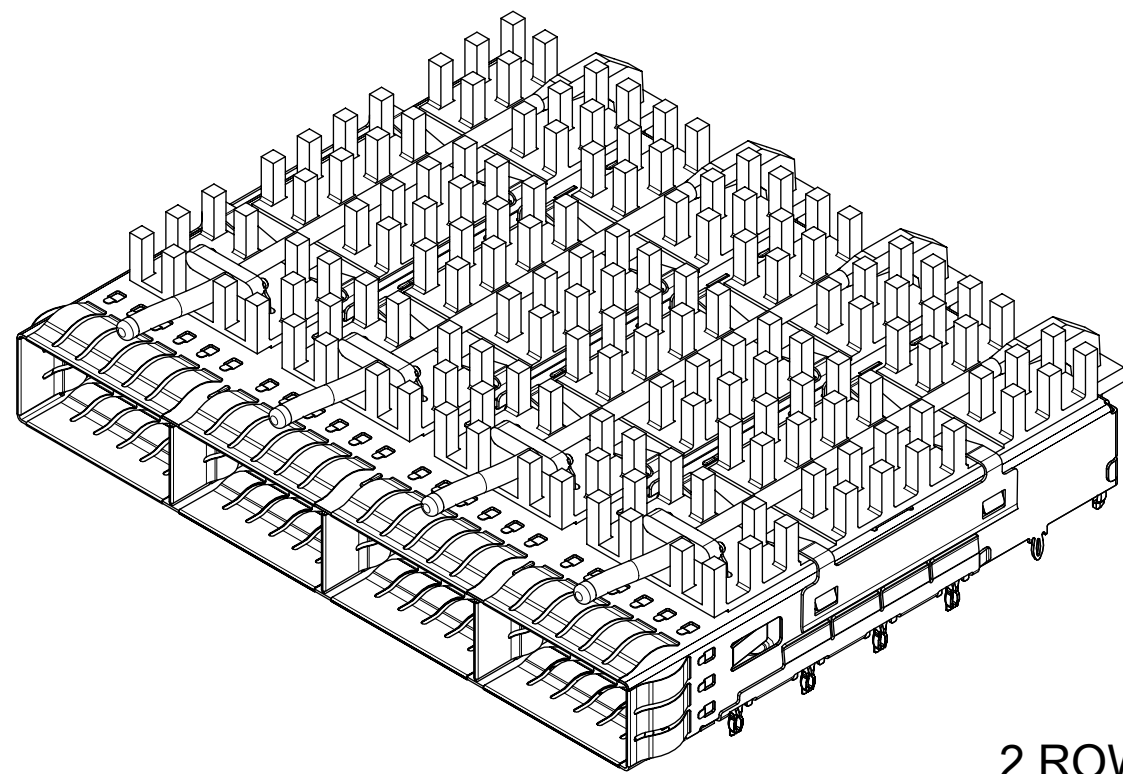


| MOLEX P/N | HEATSINKS | #OF REAR LEGS PER PORT |
|------------|-----------|---------------------------|
| 1000171340 | PCI | 0 |
| 1000171343 | PCI | 1 |
| 1000171344 | SAN | 1 |
| 1000171345 | NET | 1 |

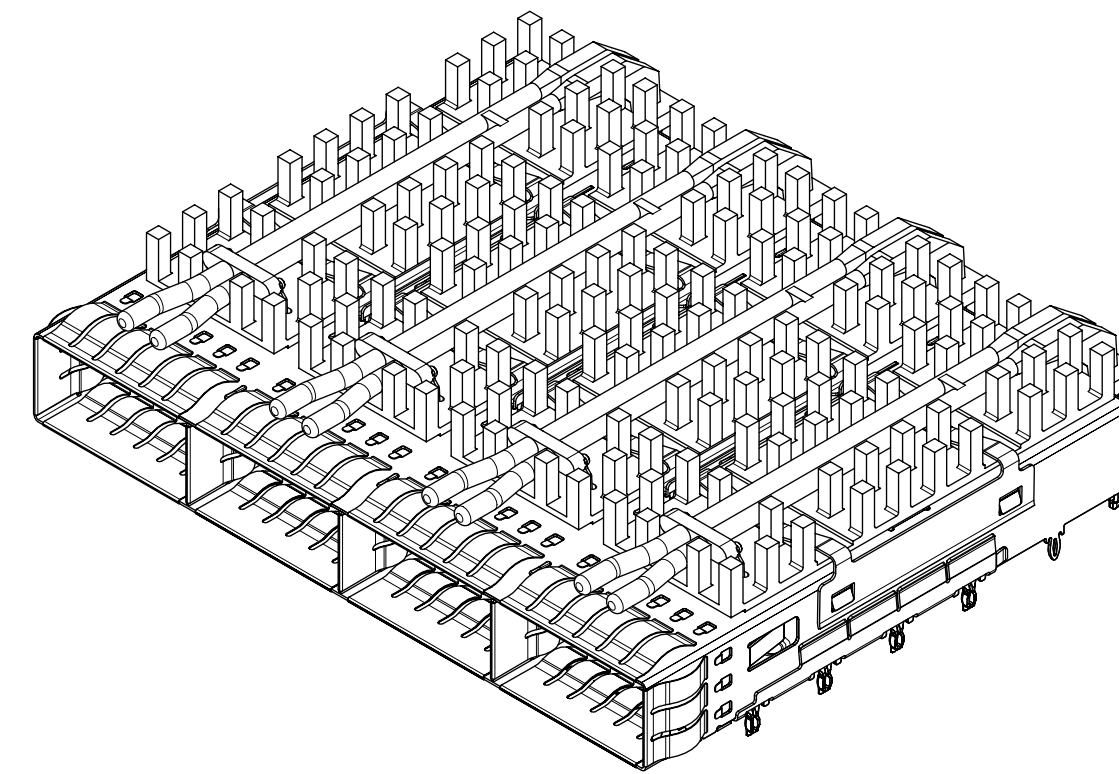
WITH HEATSINKS AND LIGHT PIPES

| MOLEX P/N | LIGHTPIPES | HEATSINKS | #OF REAR LEGS PER PORT |
|------------|------------|------------------------|---------------------------|
| 1000171441 | SINGLE | SAN | 0 |
| 1000171443 | DUAL | PCI | 0 |
| 1000171444 | DUAL | SAN | 0 |
| 1000171446 | QUAD | PCI | 0 |
| 1000171447 | QUAD | SAN | 0 |
| 1000171542 | SINGLE | NET | 1 |
| 1000171544 | DUAL | SAN | 1 |
| 1000171545 | DUAL | NET | 1 |
| 1000171547 | QUAD | SAN | 1 |
| 1000171548 | QUAD | NET | 1 |
| 1000171649 | 2 ROW QUAD | CUSTOM (A=19.0 REF) | 1 |

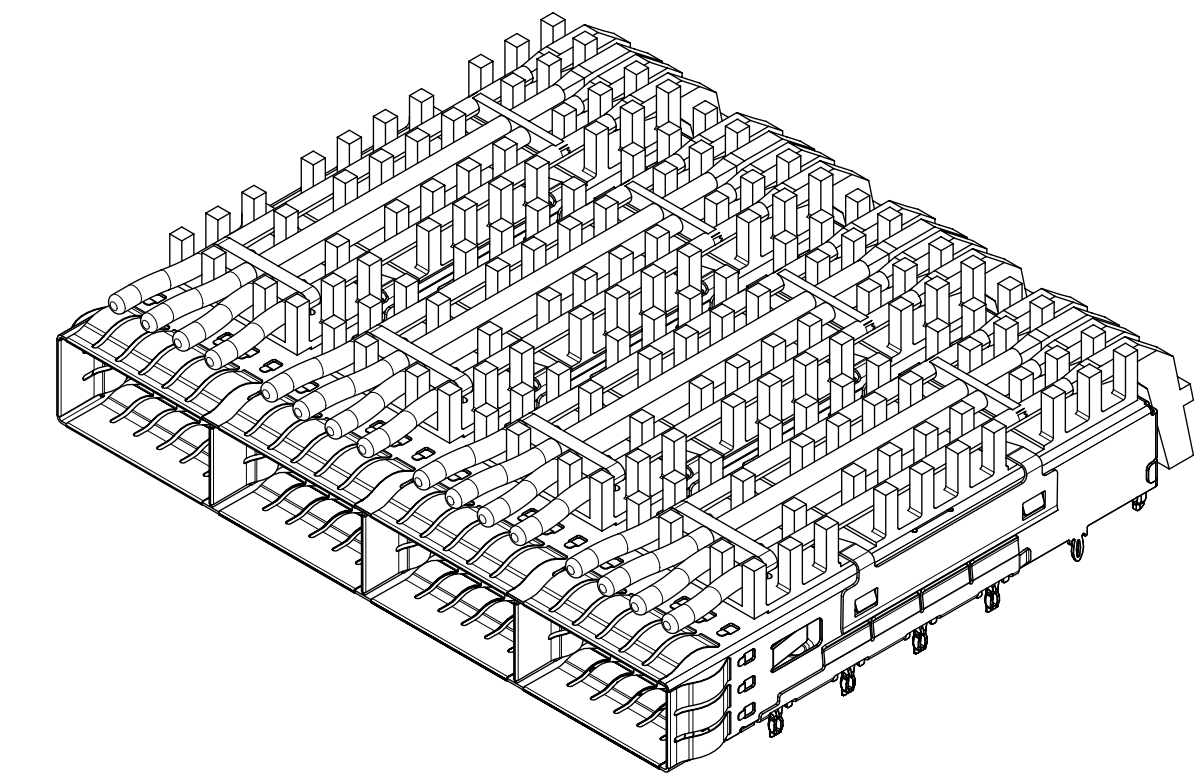
SINGLE LIGHT PIPE



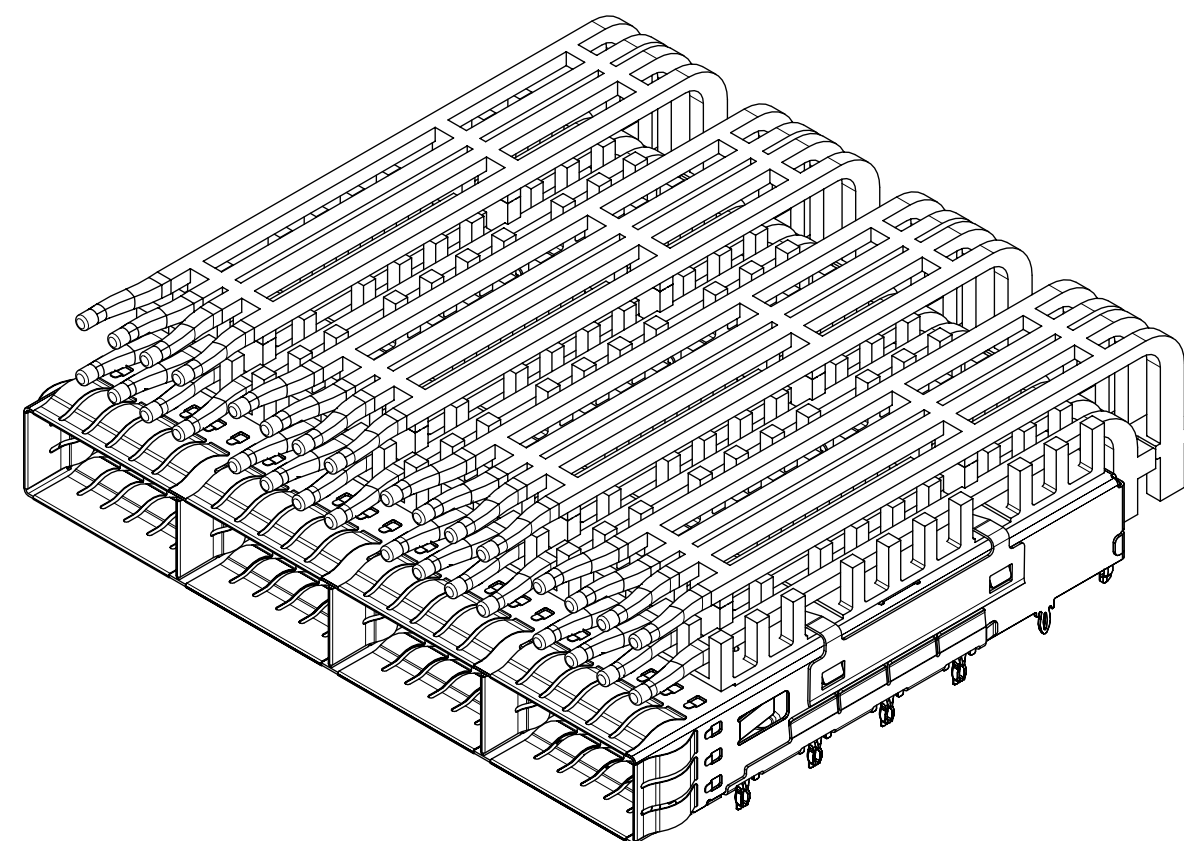
DUAL LIGHT PIPE



QUAD LIGHT PIPE



2 ROW QUAD LIGHT PIPE



THIS DRAWING CONTAINS INFORMATION THAT IS PROPRIETARY TO MOLEX ELECTRONIC TECHNOLOGIES, LLC AND SHOULD NOT BE USED WITHOUT WRITTEN PERMISSION

| DIMENSION UNITS | SCALE | CURRENT REV DESC: | OBSOLETE PART NUMBERS AS PER PCN#506884 | | |
|--|--------|------------------------|---|-----------------|----------------|
| mm | 1.5:1 | EC NO: 662763 | | | |
| GENERAL TOLERANCES (UNLESS SPECIFIED) | | DRWN: SKANDB | 2021/01/19 | | |
| ANGULAR TOL ± 1.0° | | CHK'D: GGA | 2021/06/01 | | |
| 4 PLACES | ± | APPR: GGA | 2021/06/01 | | |
| 3 PLACES | ± | INITIAL REVISION: | | | |
| 2 PLACES | ± 0.13 | DRWN: KNAGANNA | 2015/06/03 | | |
| 1 PLACE | ± 0.25 | APPR: RCHEN08 | 2016/01/11 | | |
| 0 PLACES | ± | THIRD ANGLE PROJECTION | | | |
| DRAFT WHERE APPLICABLE MUST REMAIN WITHIN DIMENSIONS | | DRAWING | SERIES | MATERIAL NUMBER | CUSTOMER |
| | | D-SIZE | 100017 | SEE TABLE | GENERAL MARKET |

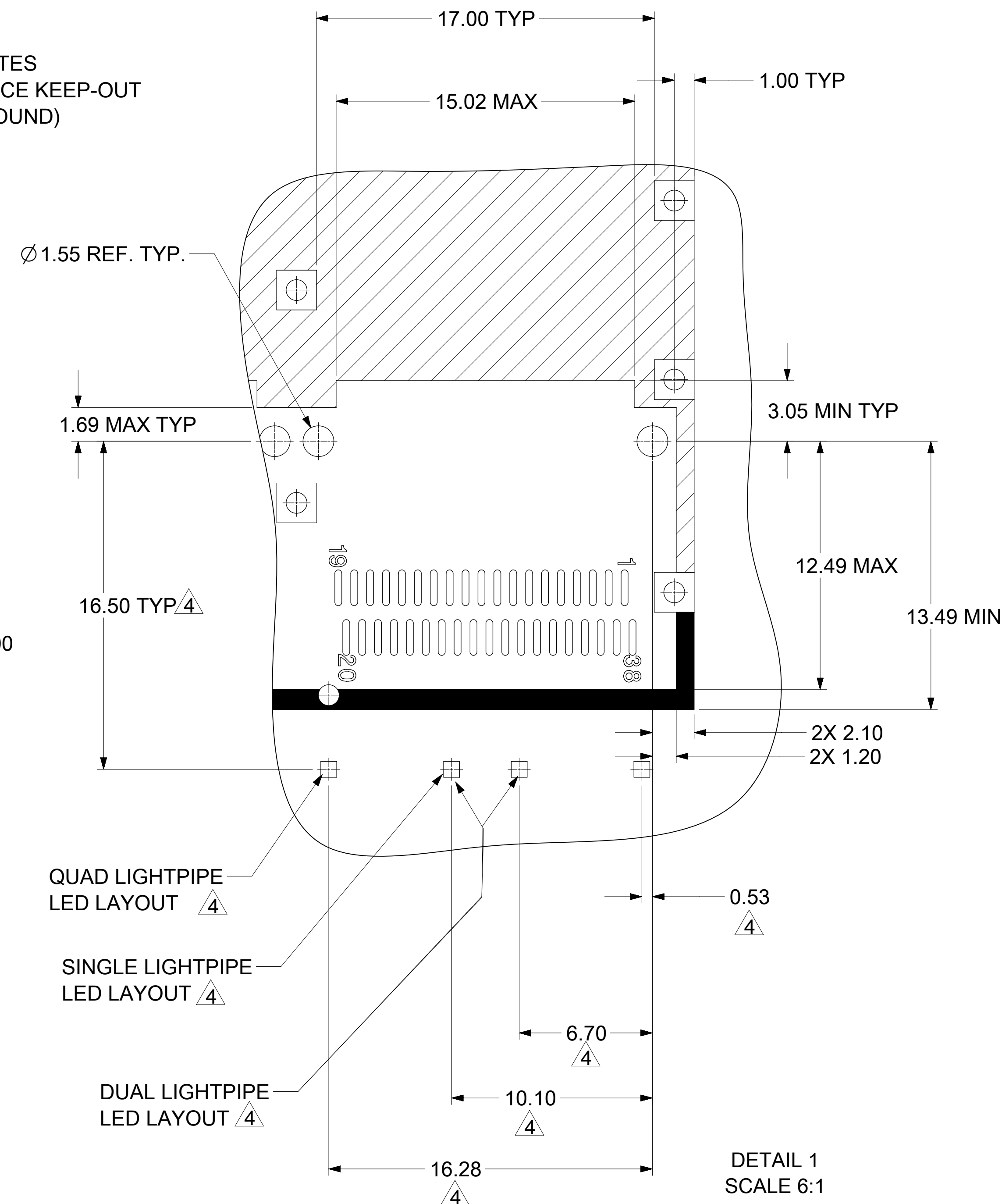
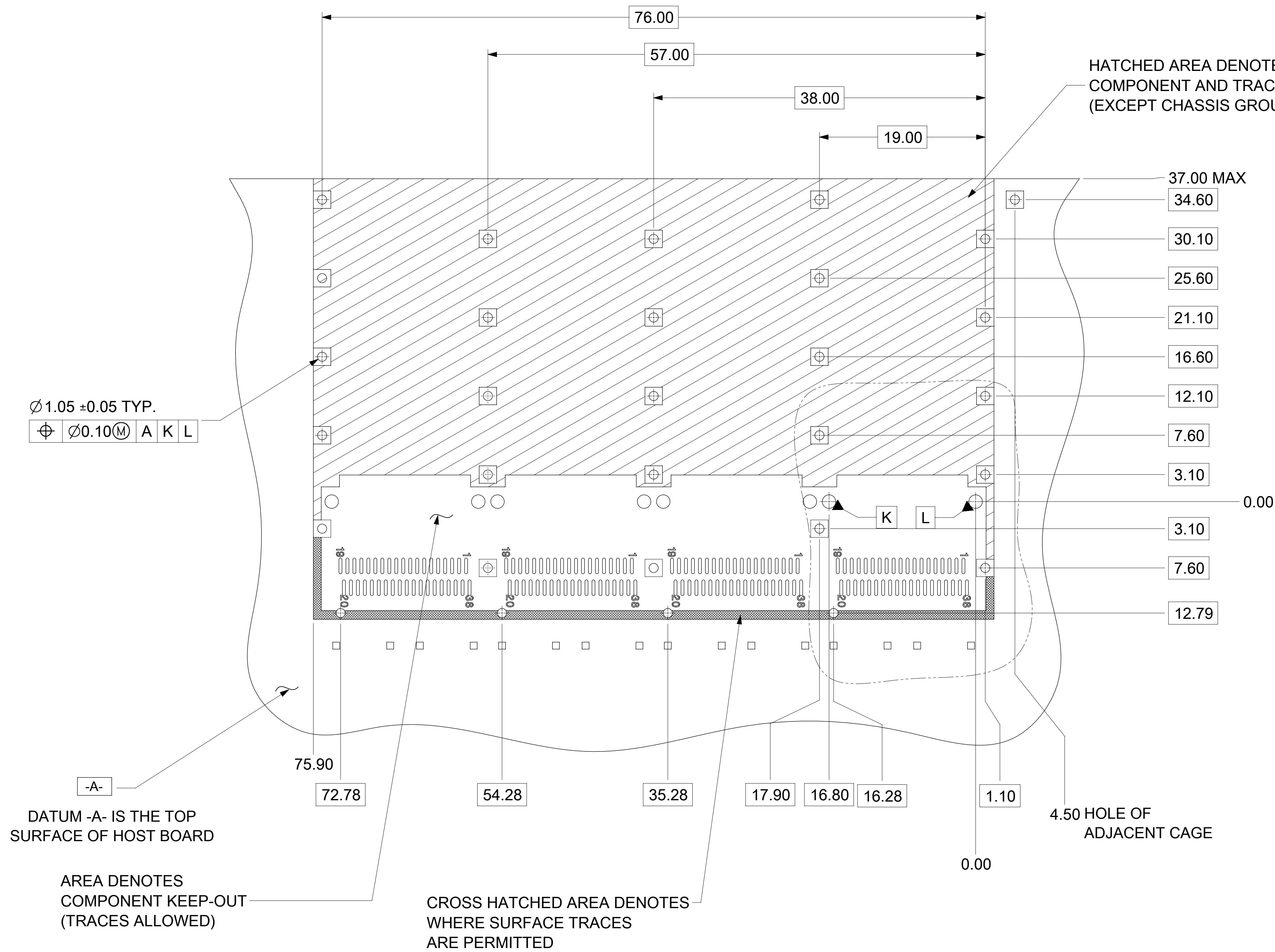
molex

ZQSFP+ 1X4 GANGED CAGE
ASSY'S (SPRING FINGER) WITH H/S & L/P OPTIONS

PRODUCT CUSTOMER DRAWING

| DOCUMENT NUMBER | DOC TYPE | DOC PART | REVISION |
|-----------------|----------|----------|----------|
| 1000171200 | PSD | SD | L1 |

PCB LAYOUT FOR SINGLE SIDED MOUNTING



Ø 1.05 ± 0.05 TYP.
 Ø 0.10 (M) A K L

DATUM -A- IS THE TOP SURFACE OF HOST BOARD

AREA DENOTES COMPONENT KEEP-OUT (TRACES ALLOWED)

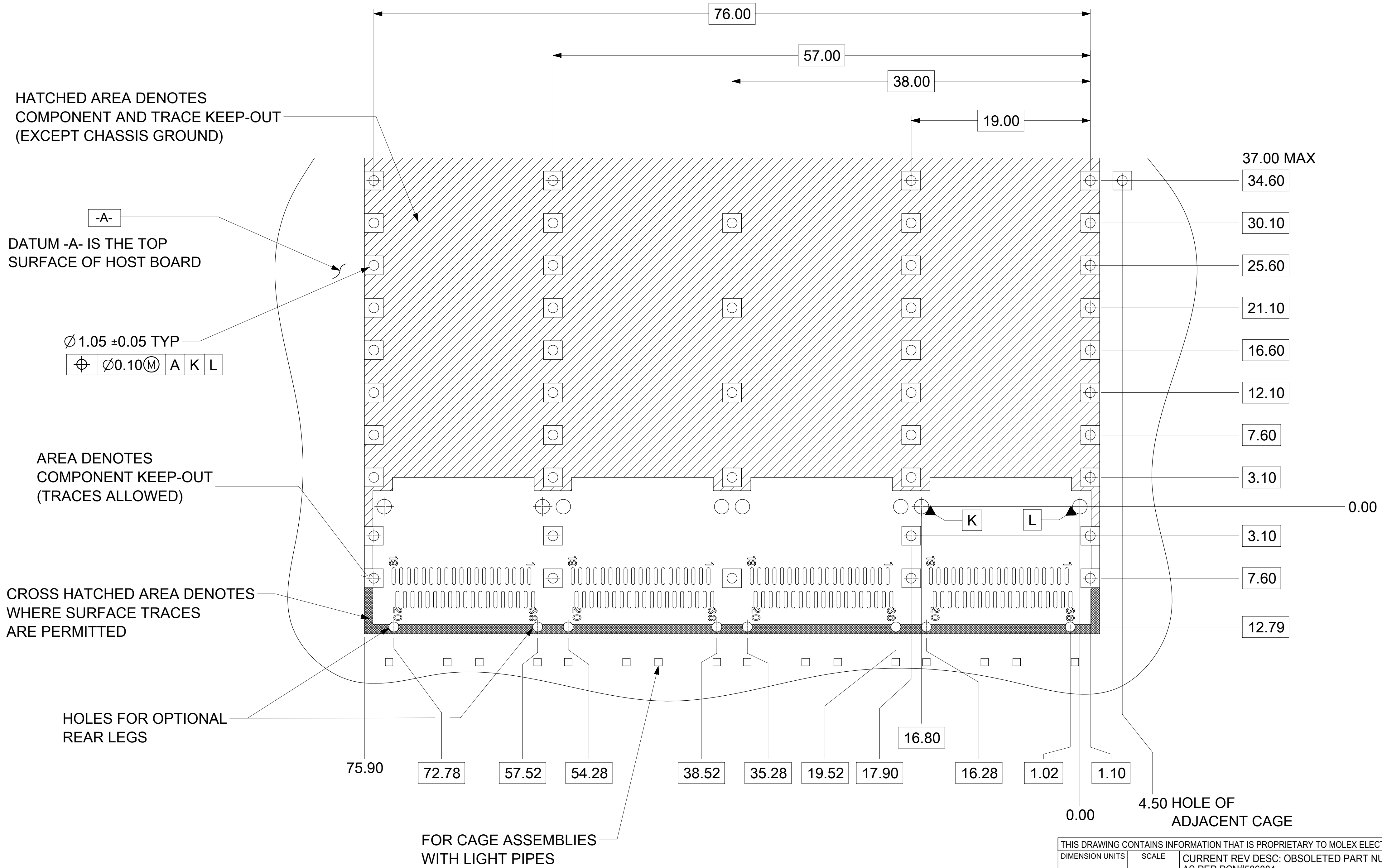
CROSS HATCHED AREA DENOTES WHERE SURFACE TRACES ARE PERMITTED

- NOTES:
1. PADS AND VIAS GO TO CHASSIS GROUND. (RECOMMENDED PADS TO BE 2.00mm SQUARE.)
 2. RECOMMENDED THRU HOLE PLATING INCLUDES HASL, OSP, OR IMMERSION (GOLD, SILVER, OR TIN).
 3. CONNECTOR PAD LAYOUT PER SFF-8663 WILL ACCOMODATE MOLEX CONNECTOR SERIES 170432.
 4. NOTED DIMENSIONS ONLY APPLY TO CAGE ASSEMBLIES WITH LIGHT PIPES.

THIS DRAWING CONTAINS INFORMATION THAT IS PROPRIETARY TO MOLEX ELECTRONIC TECHNOLOGIES, LLC AND SHOULD NOT BE USED WITHOUT WRITTEN PERMISSION

| | | | | | | |
|--|-------|---|--|--|--|--|
| DIMENSION UNITS | SCALE | CURRENT REV DESC: OBSOLETE PART NUMBERS AS PER PCN#506884 | | | | |
| mm | 3.5:1 | | | | | |
| GENERAL TOLERANCES (UNLESS SPECIFIED) | | EC NO: 662763 | | ZQSFP+ 1X4 GANGED CAGE ASSY'S (SPRING FINGER) WITH H/S & L/P OPTIONS | | |
| ANGULAR TOL ± 1.0° | | DRWN: SKANDB 2021/01/19 | | PRODUCT CUSTOMER DRAWING | | |
| 4 PLACES ± | | CHK'D: GGA 2021/06/01 | | DOCUMENT NUMBER | | |
| 3 PLACES ± | | APPR: GGA 2021/06/01 | | 1000171200 | | |
| 2 PLACES ± 0.13 | | INITIAL REVISION: | | DOC TYPE | | |
| 1 PLACE ± 0.25 | | DRWN: KNAGANNA 2015/06/03 | | PSD | | |
| 0 PLACES ± | | APPR: RCHEN08 2016/01/11 | | SD | | |
| DRAFT WHERE APPLICABLE MUST REMAIN WITHIN DIMENSIONS | | THIRD ANGLE PROJECTION | | L1 | | |
| | | DRAWING | | SHEET NUMBER | | |
| | | D-SIZE | | 4 OF 9 | | |
| | | SERIES | | MATERIAL NUMBER | | |
| | | 100017 | | CUSTOMER | | |
| | | SEE TABLE | | GENERAL MARKET | | |

PCB LAYOUT FOR BELLY TO BELLY MOUNTING



NOTE:
SEE SHEET 4 FOR HOST
CONNECTOR DETAIL
AND SINGLE ROW LED
LOCATION DETAIL

SEE SHEET 6 FOR DUAL-QUAD
LED LOCATION DETAIL

HATCHED AREA DENOTES
COMPONENT AND TRACE KEEP-OUT
(EXCEPT CHASSIS GROUND)

-A-
DATUM -A- IS THE TOP
SURFACE OF HOST BOARD

Ø 1.05 ± 0.05 TYP
Ø 0.10 (M) A K L

AREA DENOTES
COMPONENT KEEP-OUT
(TRACES ALLOWED)

CROSS HATCHED AREA DENOTES
WHERE SURFACE TRACES
ARE PERMITTED

HOLES FOR OPTIONAL
REAR LEGS

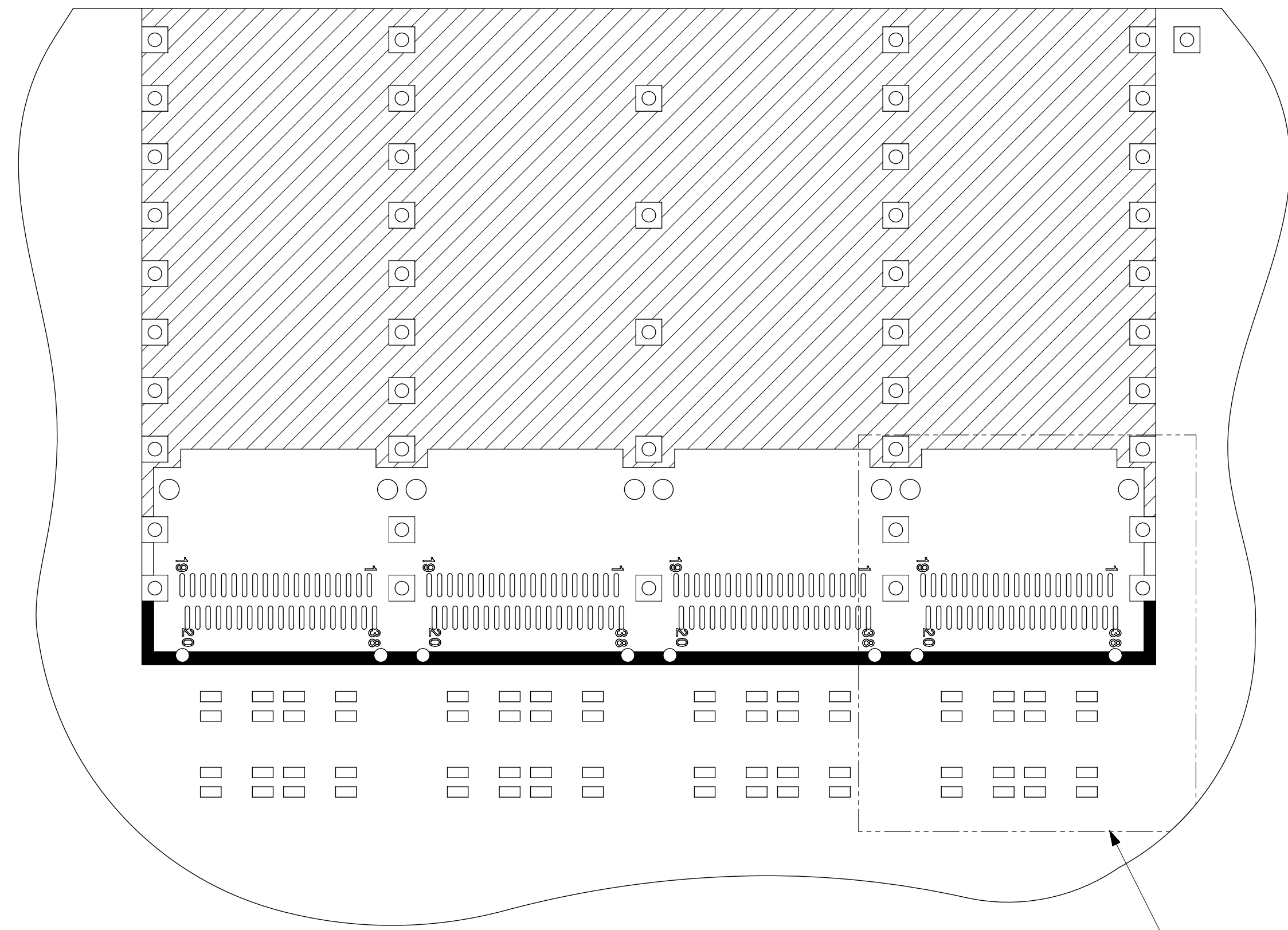
FOR CAGE ASSEMBLIES
WITH LIGHT PIPES

4.50 HOLE OF
ADJACENT CAGE

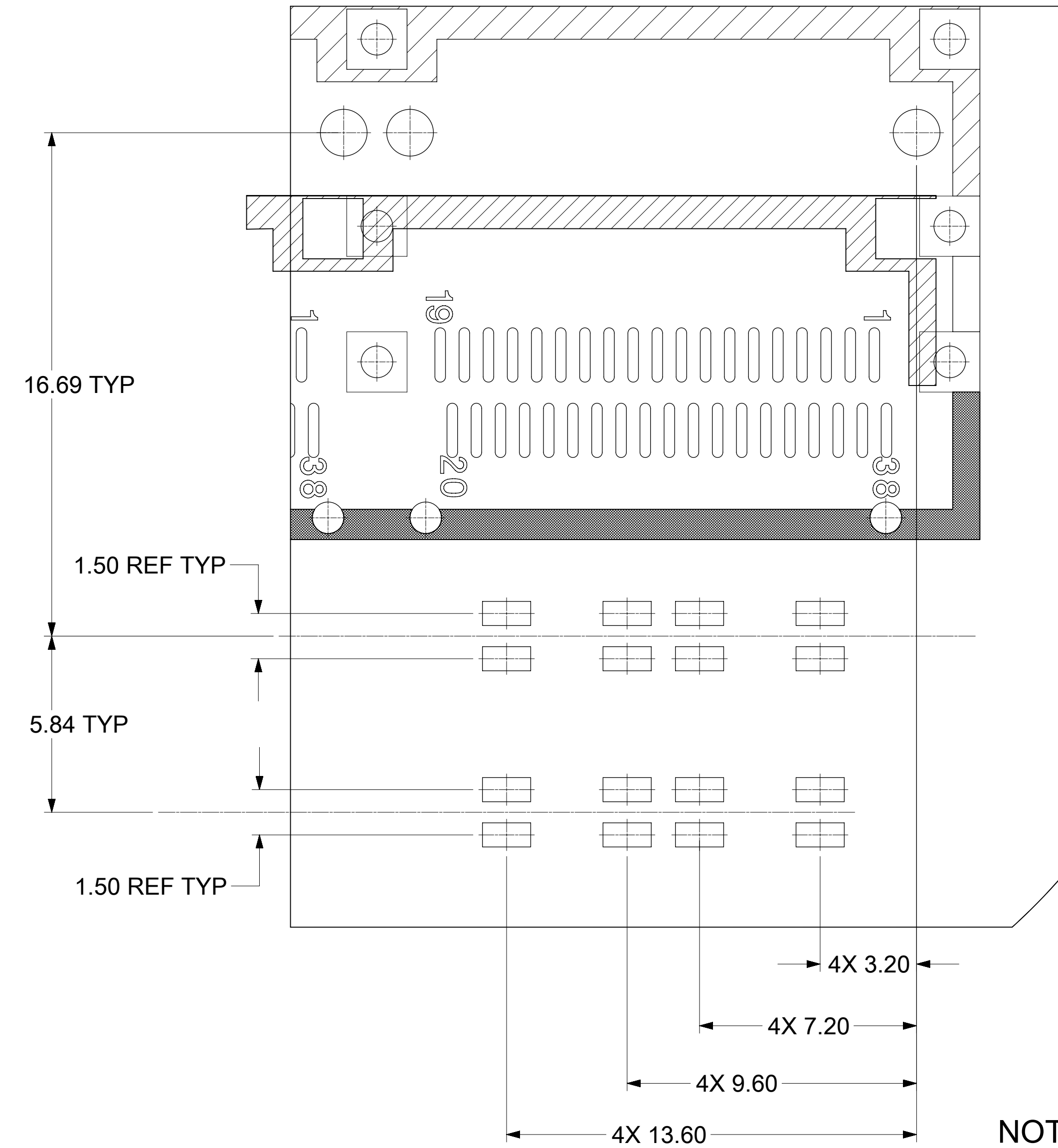
- NOTES:
- PADS AND VIAS GO TO CHASSIS GROUND. (RECOMMENDED PADS TO BE 2.00mm SQUARE.)
 - RECOMMENDED THRU HOLE PLATING INCLUDES HASL, OSP, OR IMMERSION (GOLD, SILVER, OR TIN).
 - CONNECTOR PAD LAYOUT PER SFF-8663 WILL ACCOMMODATE MOLEX CONNECTOR SERIES 170432.

| | | | | | | | | | | | | |
|---|--|-------|--|--|--|------------|--|---|--|----------------|----------|--------------|
| THIS DRAWING CONTAINS INFORMATION THAT IS PROPRIETARY TO MOLEX ELECTRONIC TECHNOLOGIES, LLC AND SHOULD NOT BE USED WITHOUT WRITTEN PERMISSION | | | | | | | | | | | | |
| DIMENSION UNITS | | SCALE | | CURRENT REV DESC: OBSOLETE PART NUMBERS AS PER PCN#506884 | | | | | | | | |
| mm | | 4:1 | | | | | | | | | | |
| GENERAL TOLERANCES (UNLESS SPECIFIED) | | | | EC NO: 662763 | | 2021/01/19 | | ZQSFP+ 1X4 GANGED CAGE ASSY'S (SPRING FINGER) WITH H/S & L/P OPTIONS | | | | |
| ANGULAR TOL ± 1.0° | | | | DRWN: SKANDB | | 2021/06/01 | | | | | | |
| 4 PLACES ± | | | | CHK'D: GGA | | 2021/06/01 | | PRODUCT CUSTOMER DRAWING | | | | |
| 3 PLACES ± | | | | APPR: GGA | | 2021/06/01 | | | | | | |
| 2 PLACES ± 0.13 | | | | INITIAL REVISION: | | 2015/06/03 | | DOCUMENT NUMBER | | DOC TYPE | DOC PART | REVISION |
| 1 PLACE ± 0.25 | | | | DRWN: KNAGANNA | | 2016/01/11 | | 1000171200 | | PSD | SD | L1 |
| 0 PLACES ± | | | | APPR: RCHEN08 | | | | MATERIAL NUMBER | | CUSTOMER | | SHEET NUMBER |
| DRAFT WHERE APPLICABLE MUST REMAIN WITHIN DIMENSIONS | | | | THIRD ANGLE PROJECTION | | DRAWING | | SERIES | | GENERAL MARKET | | 5 OF 9 |
| | | | | | | D-SIZE | | 100017 | | SEE TABLE | | |

LED PLACEMENT FOR 2 ROW QUAD LIGHT PIPE



SEE Detail 1



Detail 1
Scale 8:1

NOTE:
SEE SHEET 4 FOR HOST
CONNECTOR DETAIL

THIS DRAWING CONTAINS INFORMATION THAT IS PROPRIETARY TO MOLEX ELECTRONIC TECHNOLOGIES, LLC AND SHOULD NOT BE USED WITHOUT WRITTEN PERMISSION AS PER PCN#506884

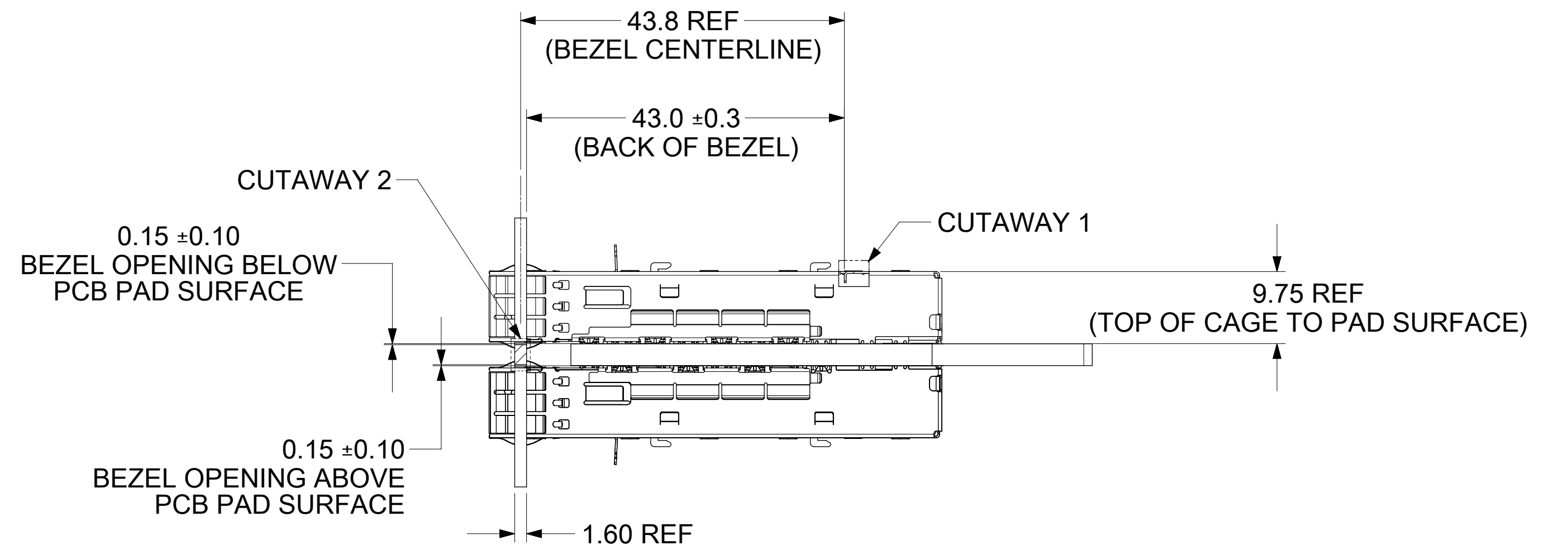
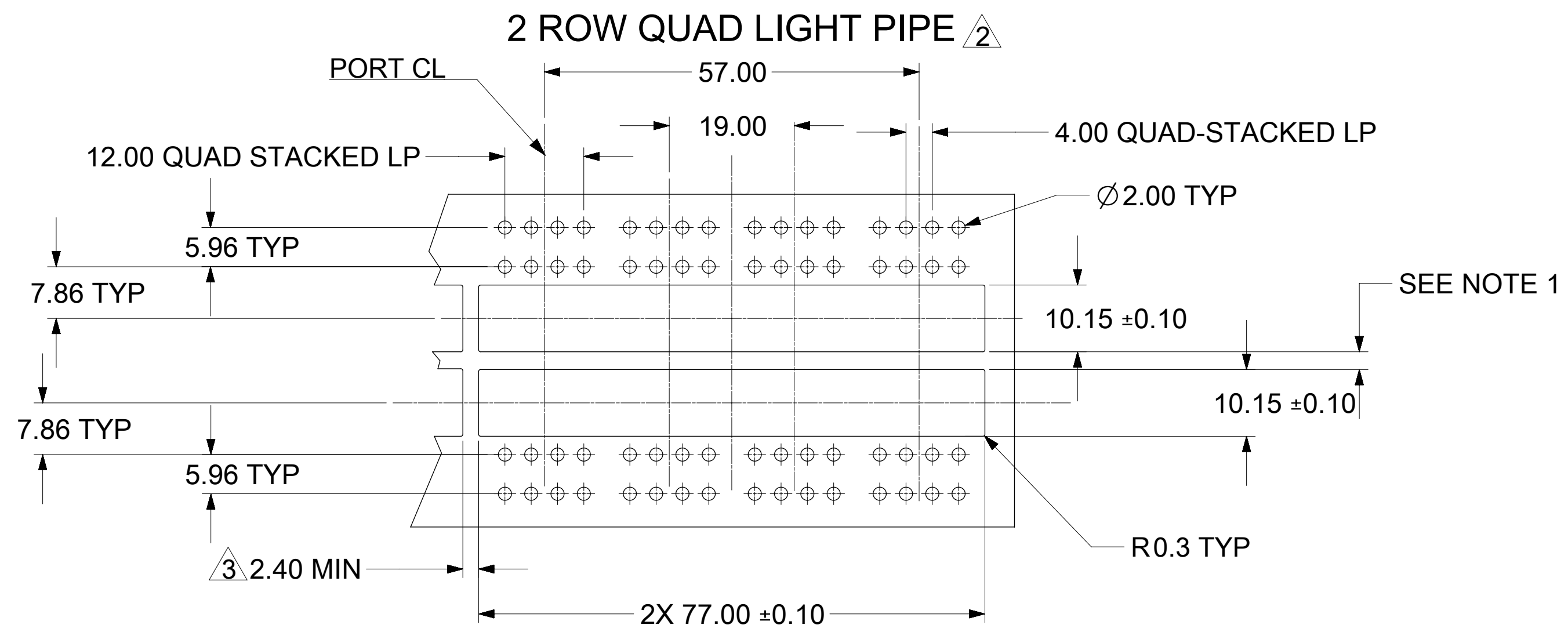
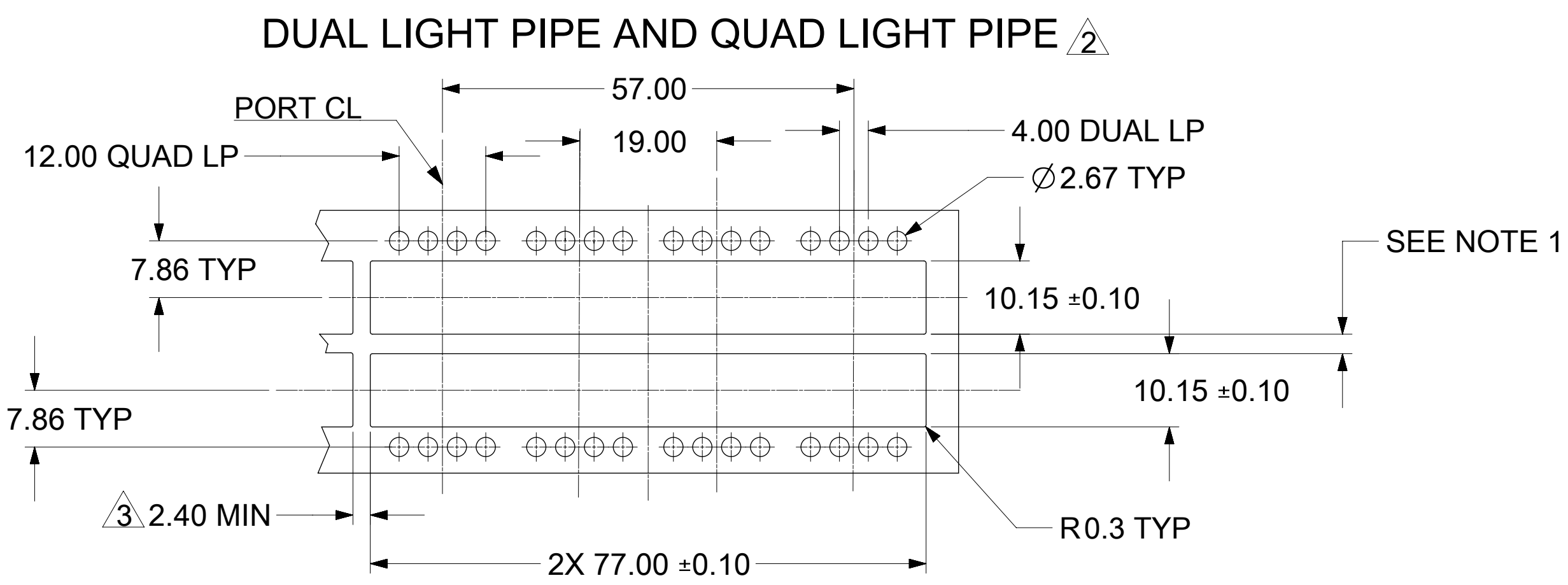
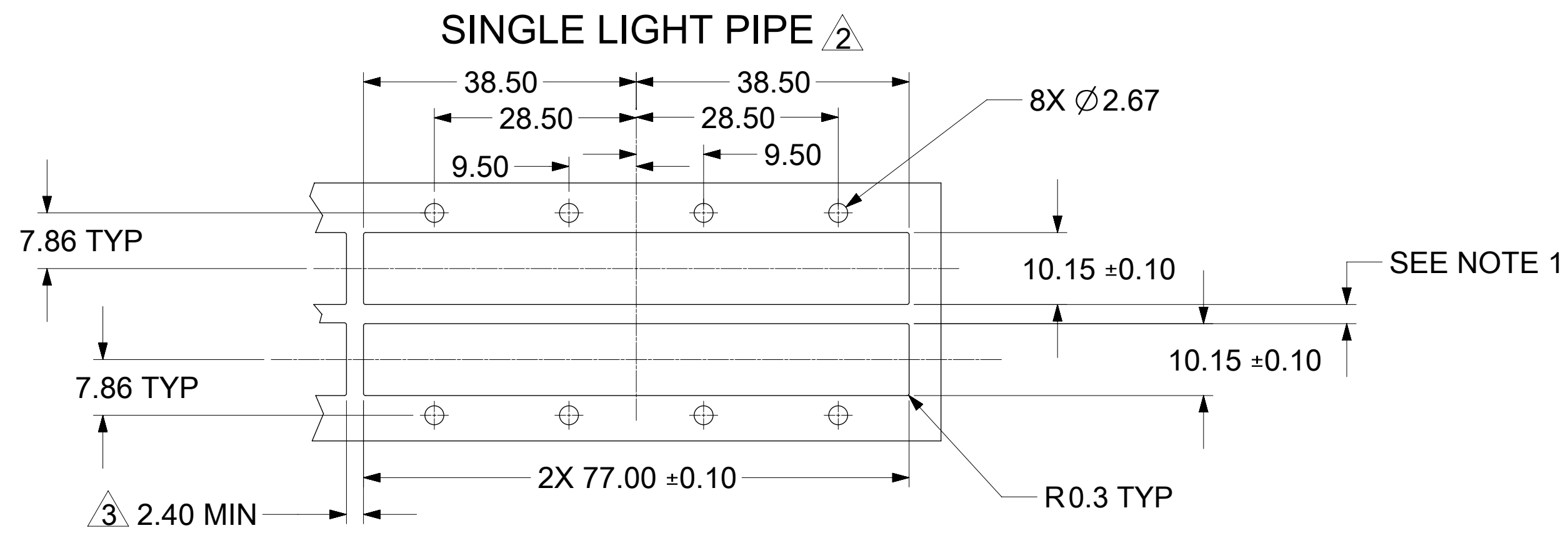
DIMENSION UNITS: mm
SCALE: 3:1

GENERAL TOLERANCES (UNLESS SPECIFIED)
ANGULAR TOL ± 1.0°
4 PLACES ±
3 PLACES ±
2 PLACES ± 0.13
1 PLACE ± 0.25
0 PLACES ±

CURRENT REV DESC: OBSOLETE PART NUMBERS AS PER PCN#506884
EC NO: 662763
DRWN: SKANDB 2021/01/19
CHK'D: GGA 2021/06/01
APPR: GGA 2021/06/01
INITIAL REVISION:
DRWN: KNAGANNA 2015/06/03
APPR: RCHEN08 2016/01/11

| | | | |
|---|----------------|--------------|----------|
| molex | | | |
| ZQSFP+ 1X4 GANGED CAGE ASSY'S (SPRING FINGER) WITH H/S & L/P OPTIONS | | | |
| PRODUCT CUSTOMER DRAWING | | | |
| DOCUMENT NUMBER | DOC TYPE | DOC PART | REVISION |
| 1000171200 | PSD | SD | L1 |
| MATERIAL NUMBER | CUSTOMER | SHEET NUMBER | |
| SEE TABLE | GENERAL MARKET | 6 OF 9 | |

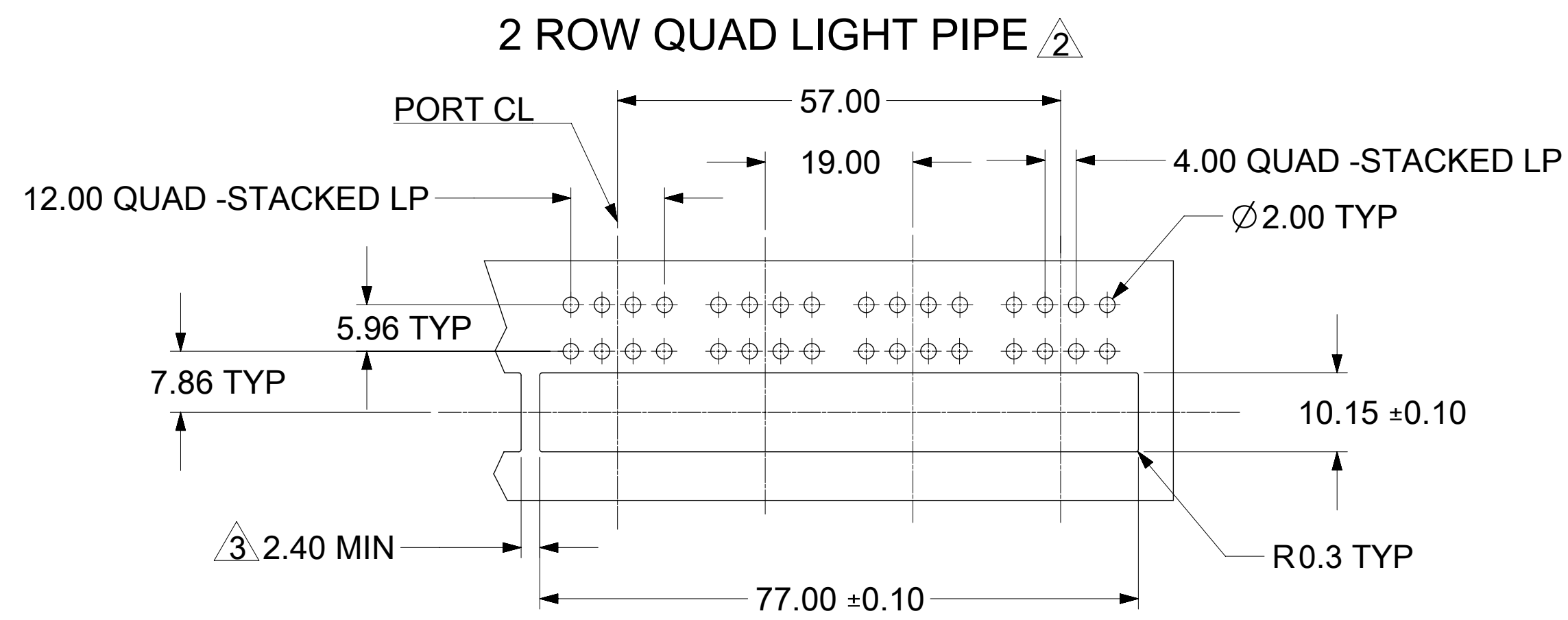
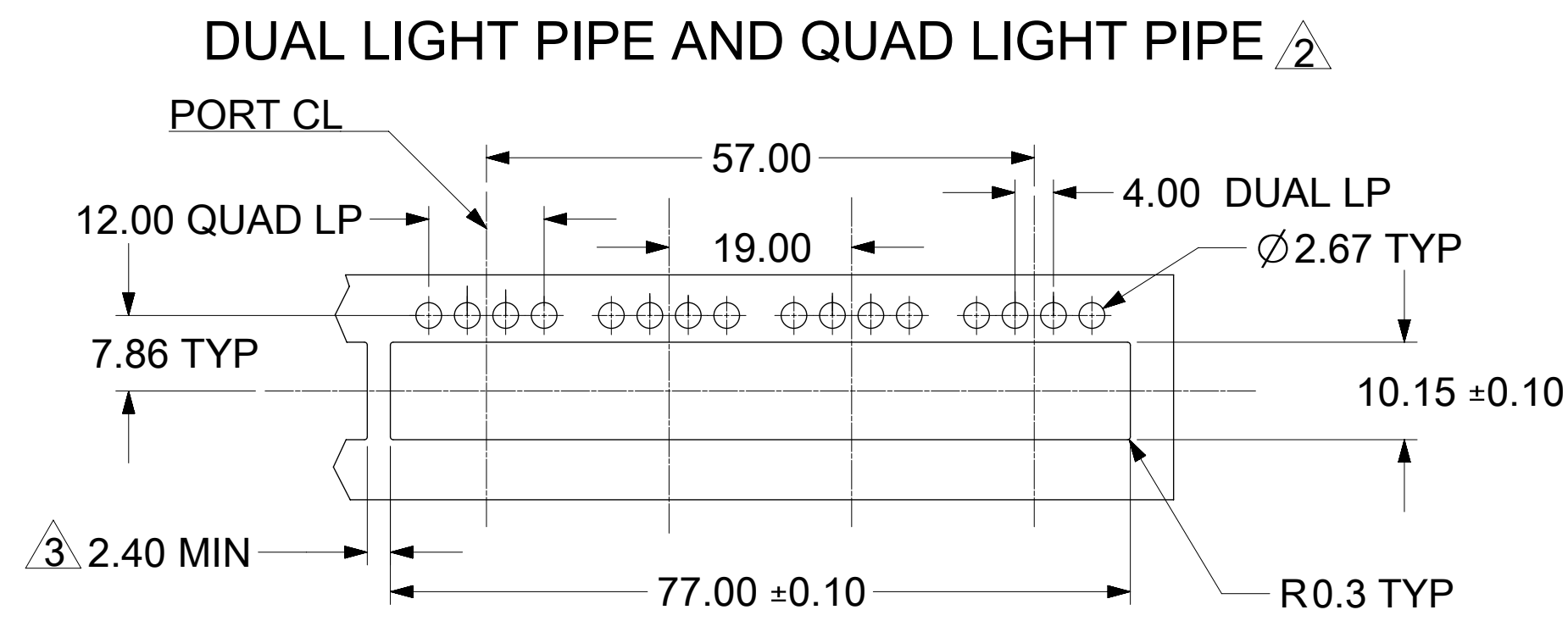
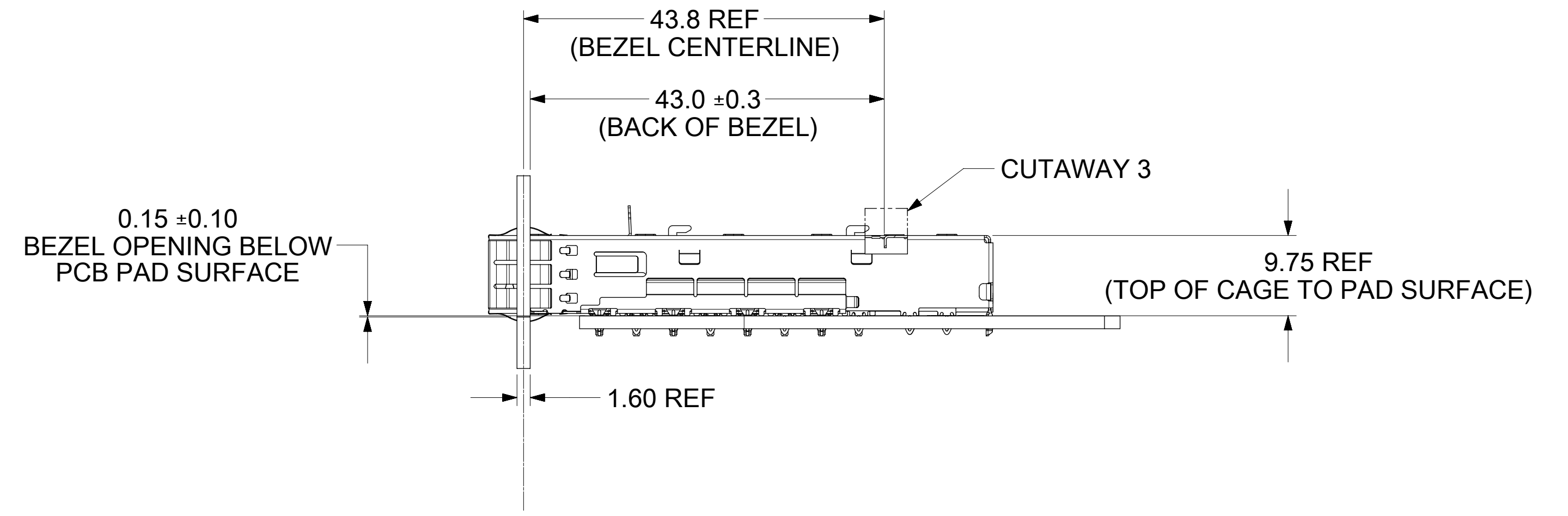
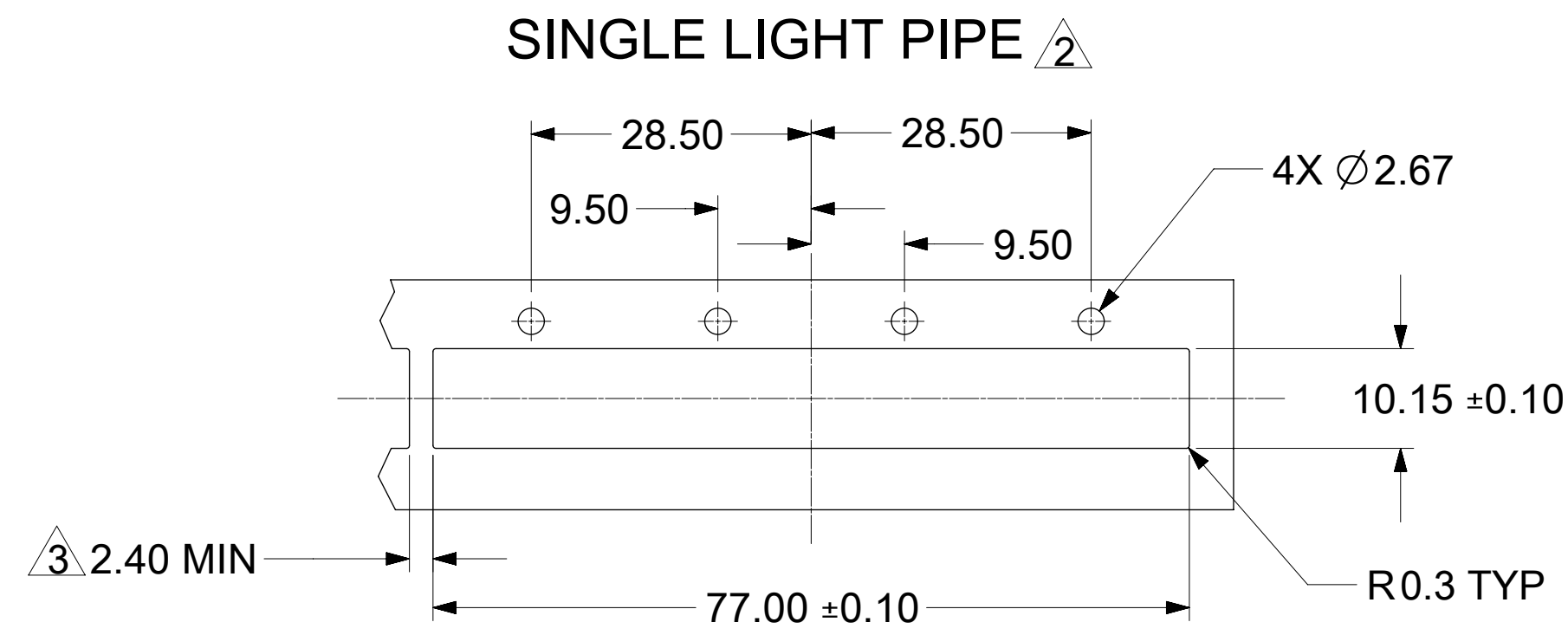
BEZEL AND BOARD POSITION DIMENSIONS FOR BELLY TO BELLY MOUNTING



NOTE:
 1. PCB THICKNESS VARIATION MUST BE CONSIDERED WHEN DETERMINING BEZEL OPENING LOCATION.
 2. NOTED DIMENSIONS ONLY APPLY TO CAGE ASSEMBLIES WITH LIGHT PIPES.
 3. THIS DIMENSION IS FOR REFERENCE ONLY. USER CAN MODIFY IT DEPENDS ON APPLICATION. (THIS DIMENSION VARIES BASED ON DISTANCE OF " HOLE OF ADJACENT CAGE" ON PCB LAYOUT.)

| | | | | | | | | | |
|---|--------|--|------------|--|--|--|--|--|--|
| THIS DRAWING CONTAINS INFORMATION THAT IS PROPRIETARY TO MOLEX ELECTRONIC TECHNOLOGIES, LLC AND SHOULD NOT BE USED WITHOUT WRITTEN PERMISSION | | | | | | | | | |
| DIMENSION UNITS | SCALE | CURRENT REV DESC: OBSOLETE PART NUMBERS AS PER PCN#506884 | | | | | | | |
| mm | 2.5:1 | <div style="text-align: center;">molex</div> ZQSFP+ 1X4 GANGED CAGE ASSY'S (SPRING FINGER) WITH H/S & L/P OPTIONS PRODUCT CUSTOMER DRAWING | | | | | | | |
| GENERAL TOLERANCES (UNLESS SPECIFIED) | | | | | | | | | |
| ANGULAR TOL | ± 1.0° | | | | | | | | |
| 4 PLACES | ± | | | | | | | | |
| 3 PLACES | ± | | | | | | | | |
| 2 PLACES | ± 0.13 | | | | | | | | |
| 1 PLACE | ± 0.25 | EC NO: 662763 | 2021/01/19 | | | | | | |
| 0 PLACES | ± | DRWN: SKANDB | 2021/06/01 | | | | | | |
| DRAFT WHERE APPLICABLE MUST REMAIN WITHIN DIMENSIONS | | APPR: GGA | 2021/06/01 | | | | | | |
| THIRD ANGLE PROJECTION | | INITIAL REVISION: | 2015/06/03 | | | | | | |
| D-DRAWING | | DRWN: KNAGANNA | 2016/01/11 | | | | | | |
| SERIES | | APPR: RCHEN08 | | | | | | | |
| MATERIAL NUMBER | | 1000171200 | | | | | | | |
| CUSTOMER | | GENERAL MARKET | | | | | | | |
| SHEET NUMBER | | 7 OF 9 | | | | | | | |

BEZEL AND BOARD POSITION DIMENSIONS FOR SINGLE SIDE MOUNTING




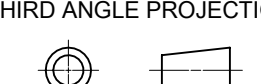
| | | | | | | | | | | |
|---|--------|---|--|------------|--|--|--|-----------------|----------|--------------|
| THIS DRAWING CONTAINS INFORMATION THAT IS PROPRIETARY TO MOLEX ELECTRONIC TECHNOLOGIES, LLC AND SHOULD NOT BE USED WITHOUT WRITTEN PERMISSION | | | | | | | | | | |
| DIMENSION UNITS | SCALE | CURRENT REV DESC: OBSOLETE PART NUMBERS AS PER PCN#506884 | | | | molex | | | | |
| mm | 1:1 | | | | | | | | | |
| GENERAL TOLERANCES (UNLESS SPECIFIED) | | | | | | ZQSFP+ 1X4 GANGED CAGE ASSY'S (SPRING FINGER) WITH H/S & L/P OPTIONS | | | | |
| ANGULAR TOL | ± 1.0° | | | | | PRODUCT CUSTOMER DRAWING | | | | |
| 4 PLACES | ± | EC NO: 662763 | | 2021/01/19 | | | | | | |
| 3 PLACES | ± | DRWN: SKANDB | | 2021/06/01 | | | | | | |
| 2 PLACES | ± 0.13 | CHK'D: GGA | | 2021/06/01 | | | | | | |
| 1 PLACE | ± 0.25 | APPR: GGA | | 2021/06/01 | | | | | | |
| 0 PLACES | ± | INITIAL REVISION: | | 2015/06/03 | | DOCUMENT NUMBER | | DOC TYPE | DOC PART | REVISION |
| DRAFT WHERE APPLICABLE MUST REMAIN WITHIN DIMENSIONS | | DRWN: KNAGANNA | | 2016/01/11 | | 1000171200 | | PSD | SD | L1 |
| | | APPR: RCHEN08 | | | | SEE TABLE | | GENERAL MARKET | | SHEET NUMBER |
| | | THIRD ANGLE PROJECTION | | DRAWING | | SERIES | | MATERIAL NUMBER | | CUSTOMER |
| | | D-SIZE | | 100017 | | | | | | 8 OF 9 |

NOTE:
 1. PCB THICKNESS VARIATION MUST BE CONSIDERED WHEN DETERMINING BEZEL OPENING LOCATION.
 2. NOTED DIMENSIONS ONLY APPLY TO CAGE ASSEMBLIES WITH LIGHT PIPES.
 3. THIS DIMENSION IS FOR REFERENCE ONLY. USER CAN MODIFY IT DEPENDS ON APPLICATION. (THIS DIMENSION VARIES BASED ON DISTANCE OF " HOLE OF ADIACENT CAGE" ON PCB LAYOUT.)

| | | | | |
|-----------------|----|--------------|------------|----------|
| DOCUMENT STATUS | P1 | RELEASE DATE | 2021/06/01 | 13:37:13 |
|-----------------|----|--------------|------------|----------|

| REV | DATE | DESCRIPTION |
|-----|------------|--|
| A | 03/29/2013 | RELEASE |
| B | 06/26/2013 | ADDED DIM 12.77 AT G-9 ON SHEET 4. |
| C | 02/05/2014 | SHEET 3: ADDED VIEW AND P/N TABLE FOR CLOSED TOP W/LP. SHEET 4/5: EXPANDED ALLOWABLE AREA WHERE SURFACE TRACES ARE PERMITTED. REMOVED "HOLE PATTERN REPEATS FOR EACH PORT." FROM NOTE 4 |
| D | 07/15/2014 | SHEET 1: ADDED MATERIAL INFORMATION TO NOTES. SHEET 2: MADE HEATSINK HEIGHT DIMENSIONS REF. CHANGED REARMOST LEG ON BOTH SIDES OF ALL CAGES FROM 3D PRESSFIT TO EYE-OF-THE-NEEDLE PRESSFIT LEG. |
| E | 10/6/2014 | ADDED 2 ROW QUAD LIGHT PIPE OPTION SHEET 2: CHANGED HEATSINK HEIGHT DIMENSIONS TO REF J14: DIM 67.48 CHANGED TO REF SHEET 4: MOVED DATUMS "K" AND "L" TO CONNECTOR HOLES REMOVED BASIC FROM "0.00" POSITIONS SHEET 5: MOVED DATUMS "K" AND "L" TO CONNECTOR HOLES REMOVED BASIC FROM "0.00" POSITIONS H18: MADE HOLE DIAMETER DIMENSION TYP SHEET 7: EDIT NOTE 1, REMOVED "SIZE" REMOVED NOTE 1 FROM ALL "10.15" DIMENSIONS |
| F | 3/12/2015 | ADDED 1000171255 & LIGHT PIPE FEATURE IN COLUMN @ M10 ON SHEET3. |
| G | 04/14/2015 | SHEET 4: REVISED DIM "WAS" 12.77 "NOW" 12.79 @G9 REVISED FRAMED TEXT NUMBER 4 TRIANGLES TO FRAMED TEXT NUMBER 5 @D5, @E4, @E6, @F4, @F6, AND @H7 SHEET 5: REVISED DIM "WAS" 12.77 "NOW" 12.79 @F7 REMOVED NOTE 4 AND REVISED NOTE 5 TO NOTE 4 REMOVED NOTE 4 @A20 REMOVED SEE NOTE 4 AND ADDED DIMS @K11, K12, K13, AND @K14 SHEET 6: REVISED PORT CL "WAS" (4) "NOW" PORT CL @E7, D17, G17 AND @H7 |
| H | 06/16/2015 | SHEET 1: C7: CHANGED YR FROM 12,13,14 ETC.(EXAMPLE: YEAR 2012=12) TO 15,16,17 ETC.(EXAMPLE: YEAR 2015=15) SHEET 3: B18: ADDED PN 1000171649 CUSTOM H/S 19mm TO HEATSINK AND LIGHT PIPE TABLE SHEET 6: CHANGED REVISION DESCRIPTION FROM ENTER DESCRIPTION TO SEE REVISION TABLE CHANGED MATERIAL NO. FROM 9999999999 TO SEE DRAWING |
| J | 06/26/2015 | REMASTERED FROM SD-100017-1200_REV-H |
| J1 | 01/04/2016 | UP-REVISIED TO CORRECT THE MODEL |
| J2 | 01/07/2016 | CHANGED DOCUMENT FROM RSD TO SD |
| J3 | 2016/01/15 | UPDATE DRAWING FORMAT TO NEW SIZE D SHEET 7 & 8: ADDED NOTE: THIS DIMENSION IS FOR REFERENCE ONLY. USER CAN MODIFY IT DEPENDS ON APPLICATION. (THIS DIMENSION VARIES BASED ON DISTANCE OF " HOLE OF ADIACENT CAGE" ON PCB LAYOUT.) |
| K | 2017/06/07 | SHEET 4: ADDED PAD TO HOLES & UPDATED VIEWS TO AVOID CONFUSION SHEET 5: ADDED PAD TO HOLES & UPDATED VIEWS TO AVOID CONFUSION C05: ADDED BASIC DIM 19.52 C10: ADDED BASIC DIM 35.28 & 38.52 C12: ADDED BASIC DIM 54.28 & 57.52 C13: ADDED BASIC DIM 72.78 SHEET 6: ADDED PAD TO HOLES & UPDATED VIEWS TO AVOID CONFUSION SHEET 7: J03: CHANGED DIM FROM 9.78 REF TO 9.75 REF SHEET 8: J03: CHANGED DIM FROM 9.78 REF TO 9.75 REF |
| K1 | 2019/08/26 | OBSOLETED P/N 1000171240,1000171255,1000171448,1000171543,1000171647. |
| L | 2020/08/17 | REACTIVATED P/N 1000171255 |
| L1 | 2021/01/19 | REMOVED OBSOLETED PART NUMBERS. |

THIS DRAWING CONTAINS INFORMATION THAT IS PROPRIETARY TO MOLEX ELECTRONIC TECHNOLOGIES, LLC AND SHOULD NOT BE USED WITHOUT WRITTEN PERMISSION AS PER PCN#506884

| | | | | | | |
|--|---|--|---|-----------------|----------------|--------------|
| DIMENSION UNITS mm | SCALE 1:1 | CURRENT REV DESC: OBSOLETED PART NUMBERS AS PER PCN#506884 |  | | | |
| GENERAL TOLERANCES (UNLESS SPECIFIED) | | | | | | |
| ANGULAR TOL ± 1.0° | | EC NO: 662763 | ZQSFP+ 1X4 GANGED CAGE ASSY'S (SPRING FINGER) WITH H/S & L/P OPTIONS | | | |
| 4 PLACES ± | | DRWN: SKANDB 2021/01/19 | PRODUCT CUSTOMER DRAWING | | | |
| 3 PLACES ± | | CHK'D: GGA 2021/06/01 | DOCUMENT NUMBER | | | |
| 2 PLACES ± 0.13 | | APPR: GGA 2021/06/01 | 1000171200 | | | |
| 1 PLACE ± 0.25 | | INITIAL REVISION: DRWN: KNAGANNA 2015/06/03 APPR: RCHEN08 2016/01/11 | DOC TYPE | DOC PART | REVISION | |
| 0 PLACES ± | | | PSD | SD | L1 | |
| DRAFT WHERE APPLICABLE MUST REMAIN WITHIN DIMENSIONS | THIRD ANGLE PROJECTION | DRAWING | SERIES | MATERIAL NUMBER | CUSTOMER | SHEET NUMBER |
| |  | D-SIZE | 100017 | SEE TABLE | GENERAL MARKET | 9 OF 9 |

| | | | | |
|-----------------|----|--------------|------------|----------|
| DOCUMENT STATUS | P1 | RELEASE DATE | 2021/06/01 | 13:37:13 |
|-----------------|----|--------------|------------|----------|